

CONFIND

CATALOG CATALOGUE

**Pompe de adâncime Conforme API
API Subsurface Sucker Rod Pumps**

EDITIA 2009

ISSUED 2009

SC CONFIND SRL CÂMPINA

Str. Progresului, nr.2, Câmpina 105600, Jud. Prahova

Tel/Fax 044 37 47 19; 044 37 37 09; 044 33 31 60;

E-mail: confind@confind.ro URL :www.confind.ro

POMPE DE ADANCIME TIP "RHAC"
" RHAC" SUBSURFACE SUCKER ROD PUMPS

Nr No	Dimensiunea nominală Description	Lungime cilindru Barrel length	Lungime piston Plunger length	Lungime extensii Extension length
	in	ft	ft	ft
1	2 3/8 x 1 1/4	8; 10; 12; 14; 16 20; 22; 24; 26; 28; 30	2; 3; 4; 5; 6; 7	1/2; 1; 1 1/2; 2
2	2 7/8 x 1 1/2	8; 10; 12; 14; 16 20; 22; 24; 26; 28; 30	2; 3; 4; 5; 6; 7	1/2; 1; 1 1/2; 2
3	2 7/8 x 1 3/4	8; 10; 12; 14; 16 20; 22; 24; 26; 28; 30	2; 3; 4; 5; 6; 7	1/2; 1; 1 1/2; 2
4	3 1/2 x 2 1/4	8; 10; 12; 14; 16 20; 22; 24; 26; 28; 30	2; 3; 4; 5; 6; 7	1/2; 1; 1 1/2; 2

Subansamblul cilindru / Barrel Subassembly

FIG. 1

1.1	Manson extensie / Coupling, Extension	C 31	2 buc.
1.2	Cilindru / Barrel, Heavy wall	B 12	1 buc.
1.3	Colivie inferioară / Cage, Closed Barrel	C 14	1 buc.
1.4	Supapa fixă / Valve, Ball and Seat	V 11	1 buc.
1.5	Suport supapă inferioară / Bushing, Seat, Barrel Cage	B 22	1 buc.

Subansamblul piston / Plunger Subassembly

FIG 2

2.1	Racord tije / Bushing, Valve rod	B 21	1 buc.
2.2	Tije Piston / Rod, Valve	R 11	1 buc.
2.3	Racord Piston / Cage, Top Plunger	C 12	1 buc.
2.4	Piston / Plunger	P 21	1 buc.
2.5	Colivie Piston / Cage, Closed, Pin Plunger	C 13	1 buc.
2.6	Supapa piston / Valve, Ball and Seat	V 11	1 buc.
2.7	Piulita piston / Plug Seat	P 12	1 buc.

Subansamblul dispozitivului de fixare / Seating Cup Device Subassembly

FIG. 3

3.1	Felinar / Guide, Valve Rod	G 11	1 buc.
3.2	Suport / Seating Mandrel Cup	S 11	1 buc.
3.3	Niplu de fixare / Nipple, Seating Cup Type	N 11	1 buc.
3.4	Distantier / Seating Cup Ring	S 13	2 buc.
3.5	Cupa / Seating Cups	S 12	3 buc.
3.6	Piulita / Seating Cup Nut	S 14	1 buc.
3.7	Reducție / Seating Cup Bushing, Top Anchor	S 15	1 buc.

POMPE DE ADANCIME TIP "RHAC"
" RHAC" SUBSURFACE SUCKER ROD PUMPS

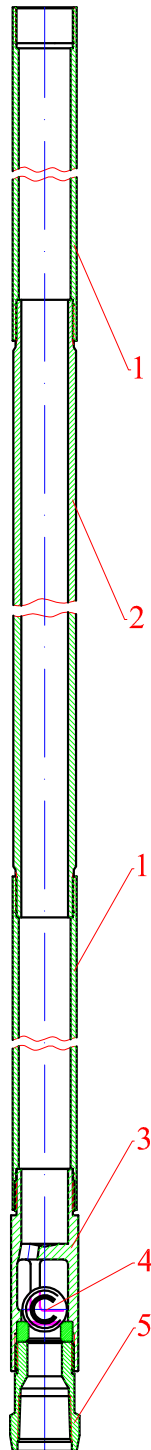


FIG. 1

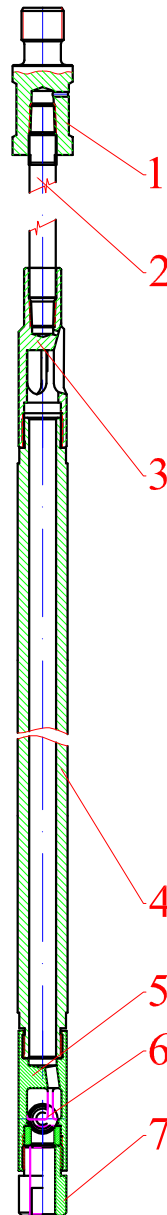


FIG. 2

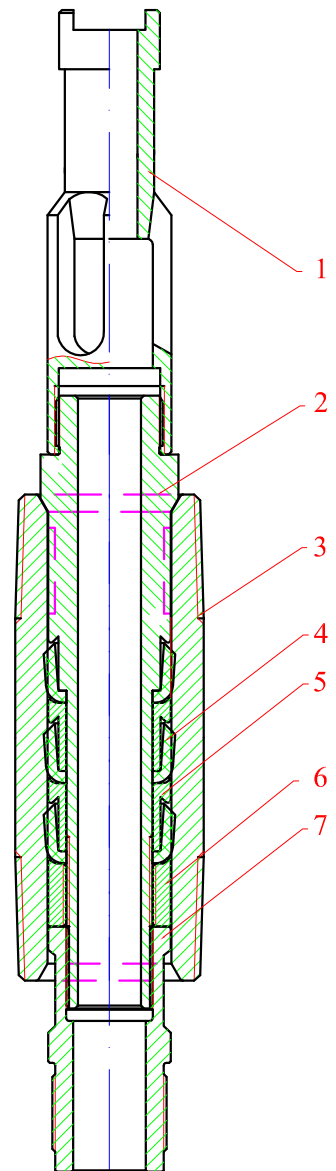


FIG. 3

POMPE DE ADANCIME TIP "RHBC"
" RHBC" SUBSURFACE SUCKER ROD PUMPS

Nr No	Dimensiunea nominală Description	Lungime cilindru Barrel length	Lungime piston Plunger length	Lungime extensii Extension length
	in	ft	ft	ft
1	2 3/8 x 1 1/4	8; 10; 12; 14; 16 20; 22; 24; 26; 28; 30	2; 3; 4; 5; 6; 7	1/2; 1; 1 1/2; 2
2	2 7/8 x 1 1/2	8; 10; 12; 14; 16 20; 22; 24; 26; 28; 30	2; 3; 4; 5; 6; 7	1/2; 1; 1 1/2; 2
3	2 7/8 x 1 3/4	8; 10; 12; 14; 16 20; 22; 24; 26; 28; 30	2; 3; 4; 5; 6; 7	1/2; 1; 1 1/2; 2
4	3 1/2 x 2 1/4	8; 10; 12; 14; 16 20; 22; 24; 26; 28; 30	2; 3; 4; 5; 6; 7	1/2; 1; 1 1/2; 2

Subansamblul cilindru / Barrel Subassembly

FIG. 1

1.1	Felinar / Guide, Valve Rod	G 11	1 buc.
1.2	Reductie / Connector Upper Barrel	C 21	1 buc.
1.3	Manson extensie / Coupling, Extension	C 31	2 buc.
1.4	Cilindru / Barrel, Heavy wall	B 12	1 buc.
1.5	Colivie inferioară / Cage, Closed Barrel	C 14	1 buc.
1.6	Supapa fixă / Valve, Ball and Seat	V 11	1 buc.

Subansamblul piston / Plunger Subassembly

FIG 2

2.1	Racord tije / Bushing, Valve rod	B 21	1 buc.
2.2	Tije Piston / Rod, Valve	R 11	1 buc.
2.3	Racord Piston / Cage, Top Plunger	C 12	1 buc.
2.4	Piston / Plunger	P 21	1 buc.
2.5	Colivie Piston / Cage, Closed, Pin Plunger	C 13	1 buc.
2.6	Supapa piston / Valve, Ball and Seat	V 11	1 buc
2.7	Piulita piston / Plug Seat	P 12	1 buc

Subansamblul dispozitivului de fixare / Seating Cup Device Subassembly

FIG. 3

3.1	Suport / Seating Mandrel Cup	S 11	1 buc.
3.2	Niplu de fixare / Nipple, Seating Cup Type	N 11	1 buc.
3.3	Distantier / Seating Cup Ring	S 13	2 buc.
3.4	Cupa / Seating Cups	S 12	3 buc.
3.5	Piulita / Seating Cup Nut	S 14	1 buc
3.6	Reducție / Seating Coupling , Bottom Anchor	S 16	1 buc

POMPE DE ADANCIME TIP "RHBC"
" RHBC" SUBSURFACE SUCKER ROD PUMPS

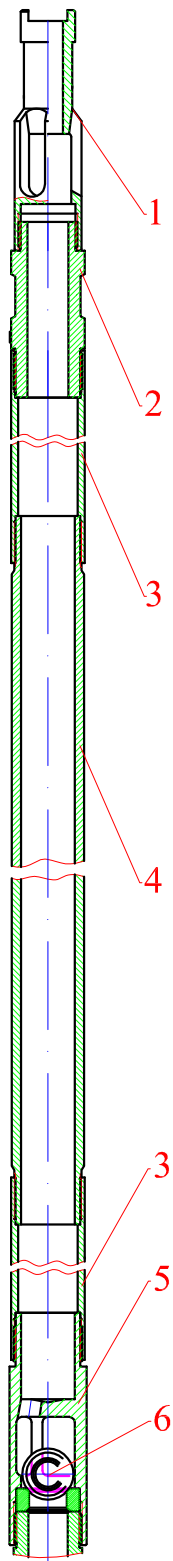


FIG. 1

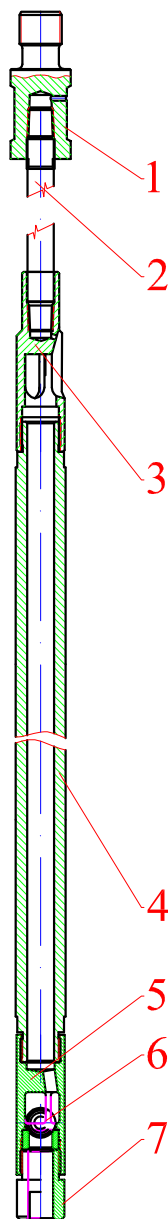


FIG. 2

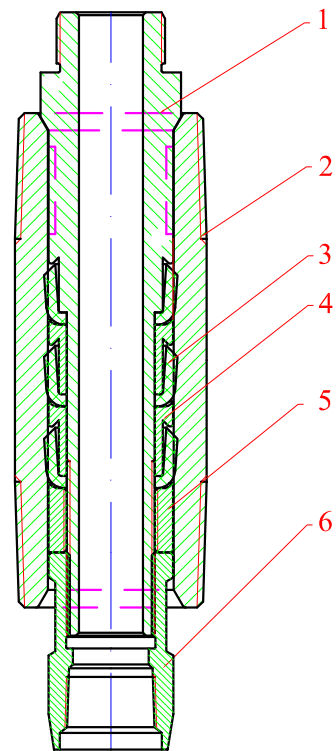


FIG. 3

POMPE DE ADANCIME TIP "THC"
" THC" SUBSURFACE SUCKER ROD PUMPS

Nr No	Dimensiunea nominală Description	Lungime cilindru Barrel length	Lungime piston Plunger length	Lungime extensii Extension length
	in	ft	ft	ft
1	2 3/8 x 1 3/4	8; 10; 12; 14; 16 20; 22; 24; 26; 28; 30	2; 3; 4; 5; 6; 7	1/2; 1; 1 1/2; 2
2	2 7/8 x 2 1/4	8; 10; 12; 14; 16 20; 22; 24; 26; 28; 30	2; 3; 4; 5; 6; 7	1/2; 1; 1 1/2; 2
3	3 1/2 x 2 3/4	8; 10; 12; 14; 16 20; 22; 24; 26; 28; 30	2; 3; 4; 5; 6; 7	1/2; 1; 1 1/2; 2

Subansamblul cilindru / Barrel Subassembly

FIG. 1

1.1 Mufa / Coupling, Tubing	C 34	2 buc.
1.2 Extensie superioara/Nipple extension upper	N 21	1 buc.
1.3 Mufa / Coupling, Barrel	C 35	2 buc
1.4 Cilindru / Barrel heavy wall	B 13	1 buc
1.5 Extensie inferioara/ Nipple extension lower	N 22	1 buc.
1.6 Niplu fixare cu cupe/ Nipple, Seating, 2 Cup Type	N 13	1 buc.

Subansamblul piston / Plunger Subassembly

FIG 2

2.1 Colivie / Cage top open	C 11	1 buc.
2.2 Supapa piston / Valve, Ball and Seat	V 11	2 buc
2.3 Piston / Plunger	P 21	1 buc.
2.4 Colivie Piston / Cage, Closed, Pin Plunger	C 13	1 buc.
2.5 Extractor tip Baioneta I / Puller Standing Valve I	P 31-B1	1 buc.

**Subansamblul dispozitivului de fixare
/ Seating Cup Device Subassembly**

FIG. 3

3.1 Extractor tip Baioneta II/ Puller Standing Valve II	P 31-B2	1 buc.
3.2 Colivie supapa fixa / Cage Standing Valve	C 16	1 buc.
3.3 Supapa fixa / Valve, Ball and Seat	V 11	1 buc
3.4 Suport / Seating Mandrel Cup	S 17	1 buc.
3.5 Cupa / Seating Cup	S 18	2 buc.
3.6 Distantier / Seating Cup Ring	S 13	1 buc.
3.7 Piulita / Seating Cup Nut	S 14	1 buc.
3.8 Reductie / Seating Cup Coupling	S 16	1 buc

POMPE DE ADANCIME TIP "THC"
" THC" SUBSURFACE SUCKER ROD PUMPS

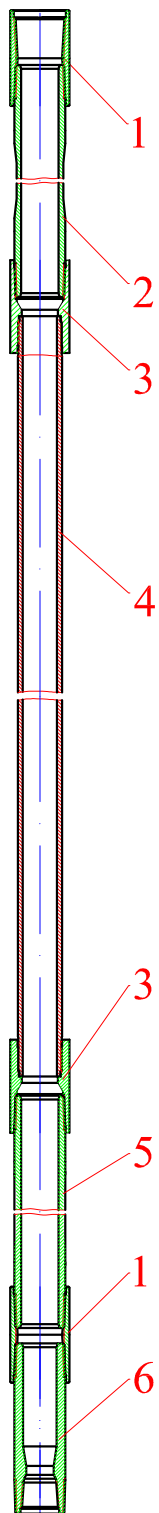


FIG. 1

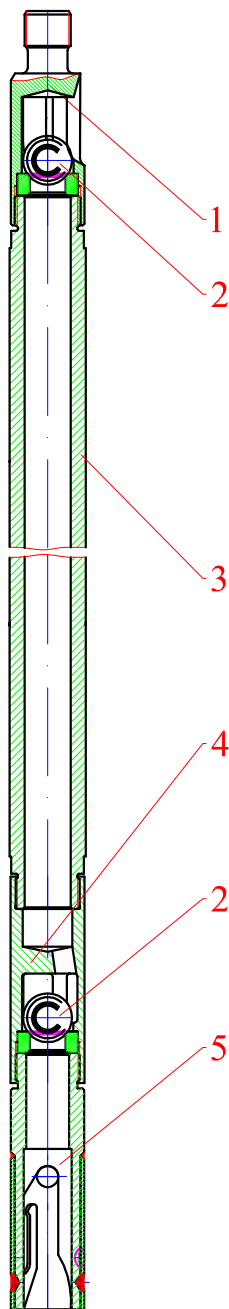


FIG. 2

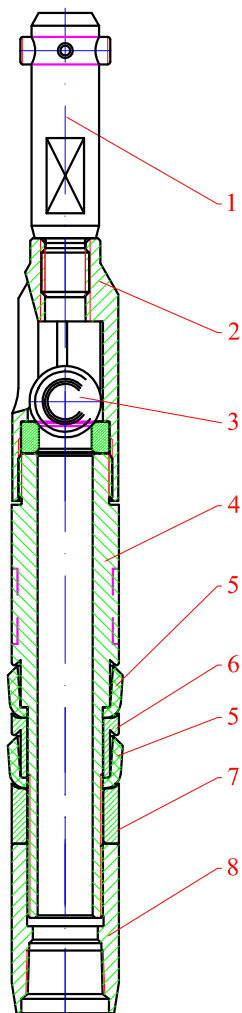


FIG. 3

POMPE DE ADANCIME TIP "THM"
" THM" SUBSURFACE SUCKER ROD PUMPS

Nr No	Dimensiunea nominală Description	Lungime cilindru Barrel length	Lungime piston Plunger length	Lungime extensii Extension length
	in	ft	ft	ft
1	2 3/8 x 1 3/4	8; 10; 12; 14; 16 20; 22; 24; 26; 28; 30	2; 3; 4; 5; 6; 7	1/2; 1; 1 1/2; 2
2	2 7/8 x 2 1/4	8; 10; 12; 14; 16 20; 22; 24; 26; 28; 30	2; 3; 4; 5; 6; 7	1/2; 1; 1 1/2; 2
3	3 1/2 x 2 3/4	8; 10; 12; 14; 16 20; 22; 24; 26; 28; 30	2; 3; 4; 5; 6; 7	1/2; 1; 1 1/2; 2

Subansamblul cilindru / Barrel Subassembly

FIG. 1

1.1 Mufa / Coupling, Tubing	C 34	2 buc.
1.2 Extensie superioara / Nipple extension upper	N 21	1 buc.
1.3 Mufa / Coupling, Barrel	C 35	2 buc
1.4 Cilindru / Barrel heavy wall	B 13	1 buc
1.5 Extensie inferioara / Nipple extension lower	N 22	1 buc.
1.6 Niplu fixare / Nipple, Seating, Mechanical Bottom	N 12	1 buc.

Subansamblul piston / Plunger Subassembly

FIG 2

2.1 Colivie / Cage top open	C 11	1 buc.
2.2 Supapa piston / Valve, Ball and Seat	V 11	2 buc
2.3 Piston / Plunger	P 21	1 buc.
2.4 Colivie Piston / Cage, Closed, Pin Plunger	C 13	1 buc.
2.5 Extractor tip Baioneta I / Puller Standing Valve I	P 31-B1	1 buc.

**Subansamblul dispozitivului de fixare
/ Seating Cup Device Subassembly**

FIG. 3

3.1 Extractor tip Baioneta II / Puller Standing Valve II	P 31-B2	1 buc.
3.2 Colivie supapa fixa / Cage Standing Valve	C 16	1 buc.
3.3 Supapa fixa / Valve, Ball and Seat	V 11	1 buc
3.4 Dispozitiv de fixare mecanic / Seating Assembly, Mechanical Bottom Lock	S 22	1 buc.

POMPE DE ADANCIME TIP "THM"
" THM" SUBSURFACE SUCKER ROD PUMPS

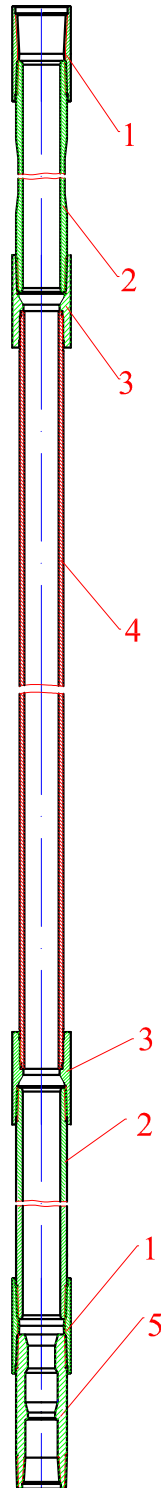


FIG. 1

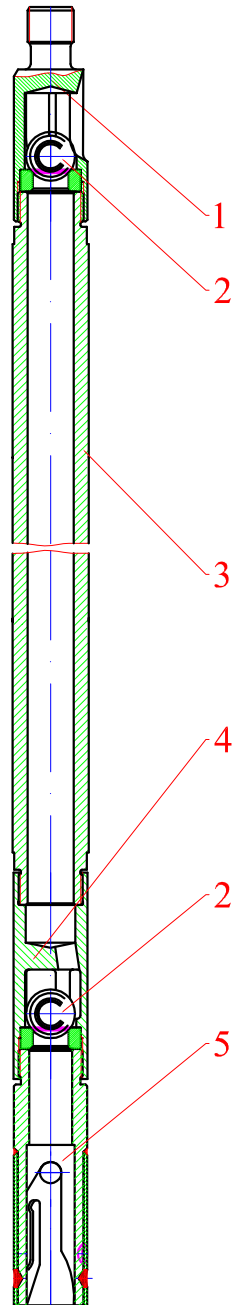


FIG. 2

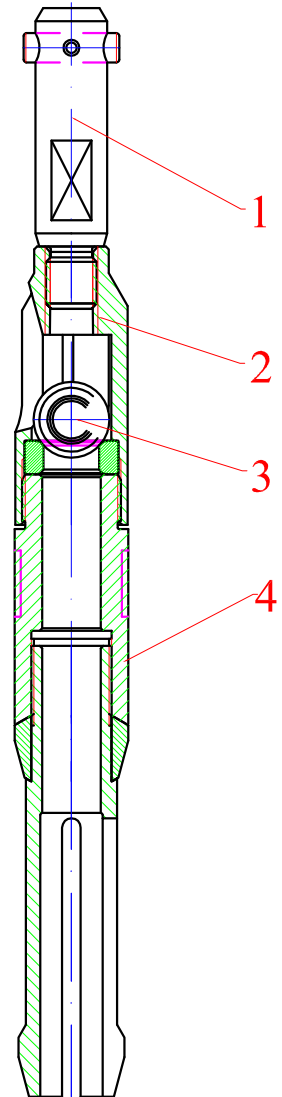


FIG. 3