

**CONFIND**

**CATALOG  
CATALOGUE**

**Piese de schimb pompe de adâncime  
neconforme API Spec 11 AX**

**NON API**

**Subsurface Sucker Rod Pumps Fittings**

**EDITIA 2009**

**ISSUED 2009**

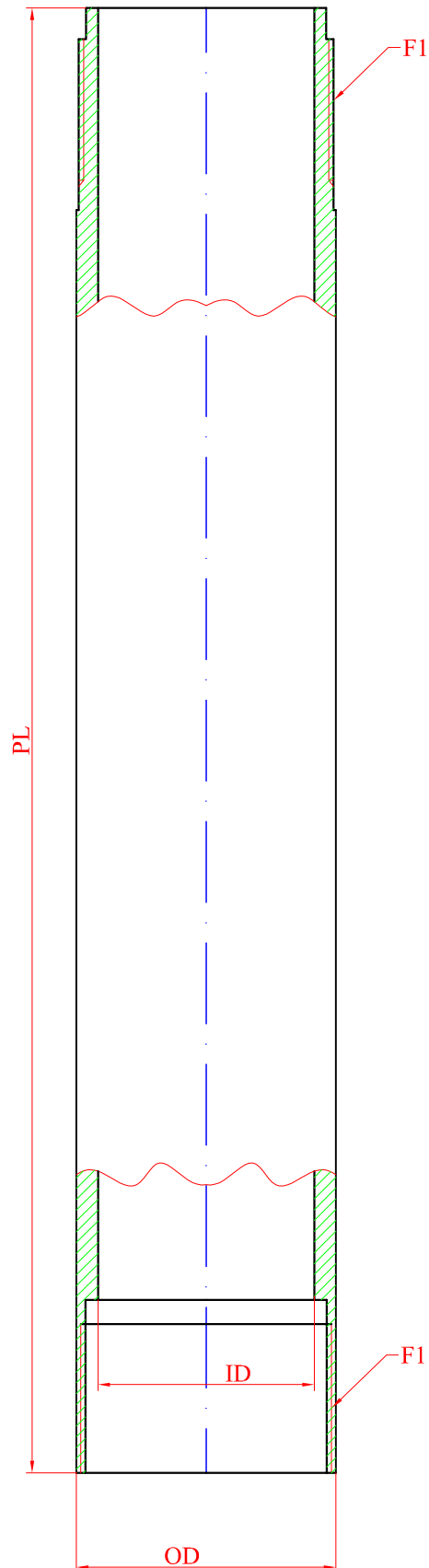
**SC CONFIND SRL CÂMPINA**

Str. Progresului, nr.2, Câmpina 105600, Jud. Prahova

Tel/Fax 044 37 47 19; 044 37 37 09; 044 33 31 60;

E-mail: [confind@confind.ro](mailto:confind@confind.ro) URL :[www.confind.ro](http://www.confind.ro)

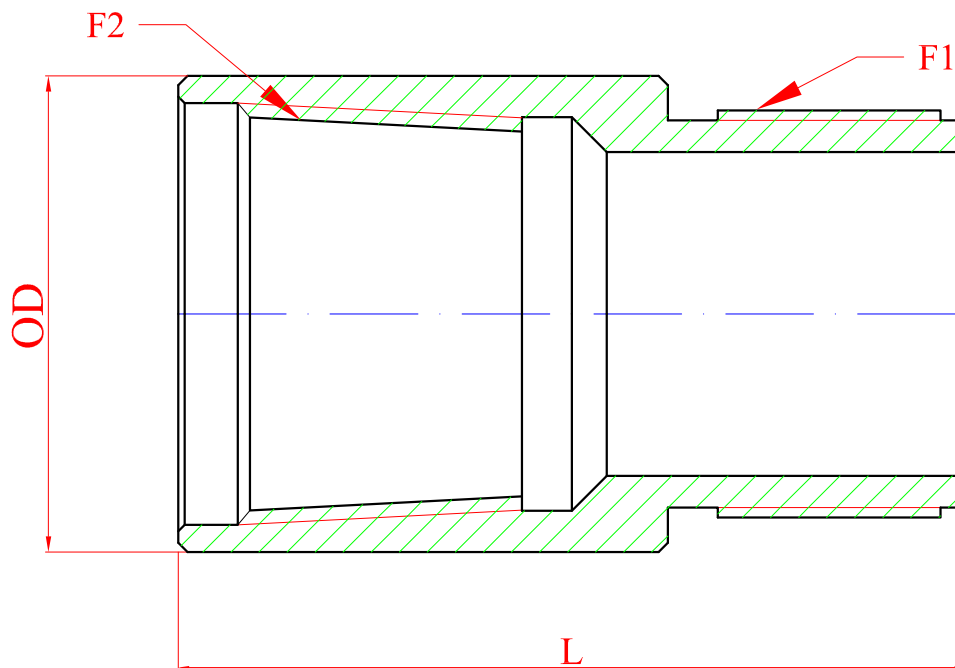
MANSON - B 23  
(Bushing Jacket)  
(rod pump)



Dimensiunea	B 23-125	B 23-175	B 23-225
F1	1.5730- 16	2.0870- 16	2.5730- 16
ID $\begin{matrix} +0,2 \\ -0 \end{matrix}$	27,76	39,67	57,94
	32,54	45,24	-
OD $\begin{matrix} +0,79 \\ -0,25 \end{matrix}$	44,7	57,4	70,1
PL $\pm 1,4$	in: 6 ; 12 ; 18 ; 24 ; 36		

NOTĂ  
Conform API Specificatie API 11AX  
sixth edition March 1971

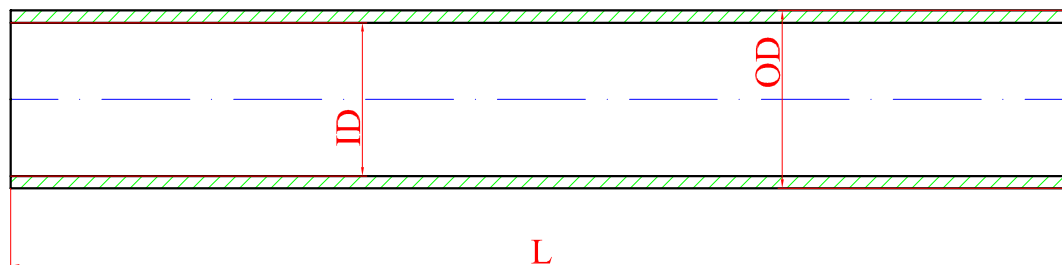
MANSON - B 24  
(Bushing Jacket )  
(tubing pump)



Dimensiunea	B 24-175	B 24-225	B 24-275
F1	2.5625- 11 1/2	3.1875- 11 1/2	3.6875- 11 1/2
F2	2 3/8 EUE	2 7/8 EUE	3 1/2 EUE
OD <sup>+0,79</sup> <sub>-0,25</sub>	76,2	92,1	114,3
L <sup>±1,4</sup>	130	130	140

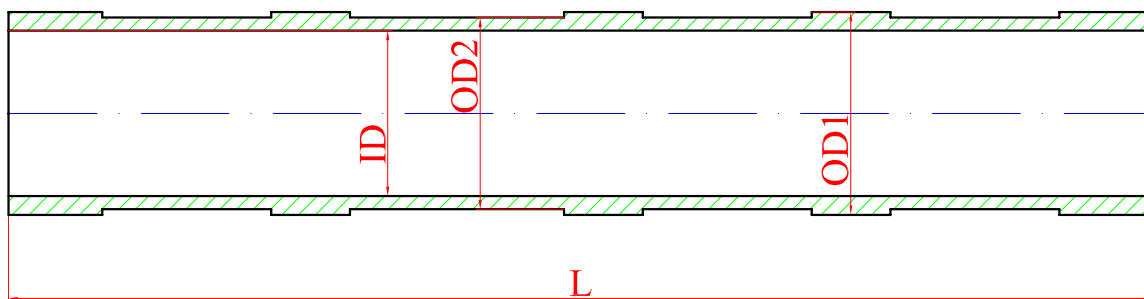
NOTĂ  
Conform API Specificatie API 11AX  
sixth edition March 1971

CAMASA - L 11  
(Liner (Rod Pump))



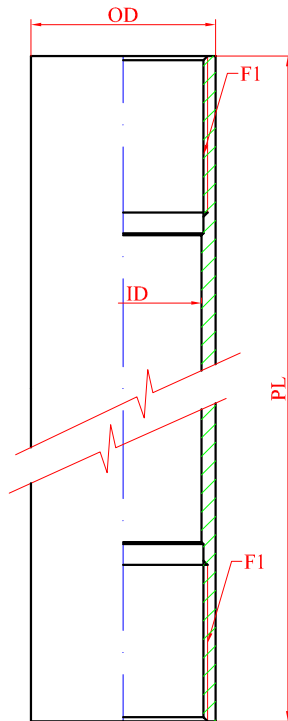
Dimensiunea	L 11-125	L 11-150	L 11-175	L 11-225
ID <sup>+0,030</sup> <sub>-0,005</sub>	31,75	38,10	44,45	57,15
OD <sup>+0,00</sup> <sub>-0,126</sub>	37,80	50,50	50,50	63,20
L <sup>± 0,30</sup>	152,4 ; 305,8 mm / 1/2 ; 1 ft. Se va specifica de către beneficiar /At request			

CAMASA - L 12  
(Liner (Tubing Pump))



Dimensiunea	L 12-175	L 12-225	L 12-275
ID <sup>+0,030</sup> <sub>-0,005</sub>	44,45	57,15	69,85
OD1 <sup>+0,030</sup> <sub>-0,005</sub>	58,00	74,95	88,90
OD2 <sup>+0,00</sup> <sub>-0,126</sub>	61,00	72,00	86,00
L <sup>± 0,30</sup>	305,8 mm / 1 ft.		

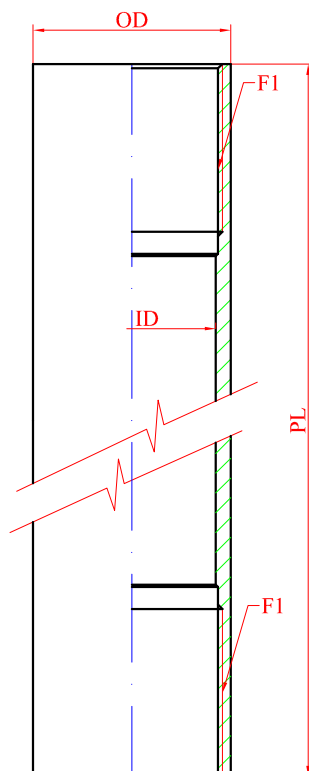
NOTĂ  
Conform API Specificatie API 11AX  
sixth edition March 1971



### MANTA - J11 (Jacket Liner ( Rod Pump))

Dimensiunea	J11-20	J11-25	J11-30
F1	39,954-16 (1.5730-16)	53,010-16 (2.0870-16)	65,345-16 (2.5730-16)
ID <sup>+0,125</sup> <sub>-0,0</sub>	38,05	50,57	63,45
OD <sub>max.</sub>	44,7	57,4	70,1
PL ± 3,18	5; 7; 10; 12; 16; 20 ft. Se va specifica de către beneficiar		

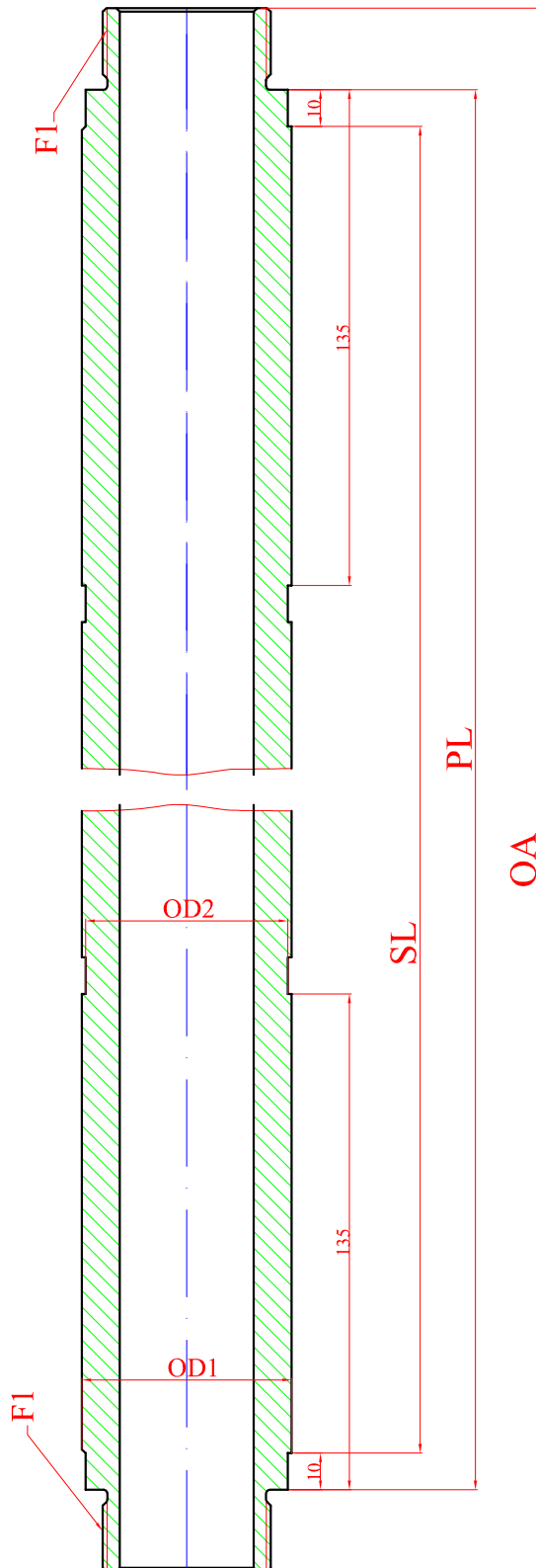
### MANTA - J12 (Jacket Liner ( Tubing Pump))



Dimensiunea	J11-20	J11-25	J11-30
F1	65,088-11 ½ (2.5625-11 ½)	80,963-11 ½ (3.1875-11 ½)	93,663-11 ½ (3.6875-11 ½)
ID <sup>+0,125</sup> <sub>-0,0</sub>	61,22	75,19	89,16
OD <sub>max.</sub>	73,0	88,9	89,16
PL ± 3,18	5; 7; 9; 11; 15; 20 ft. Se va specifica de către beneficiar		

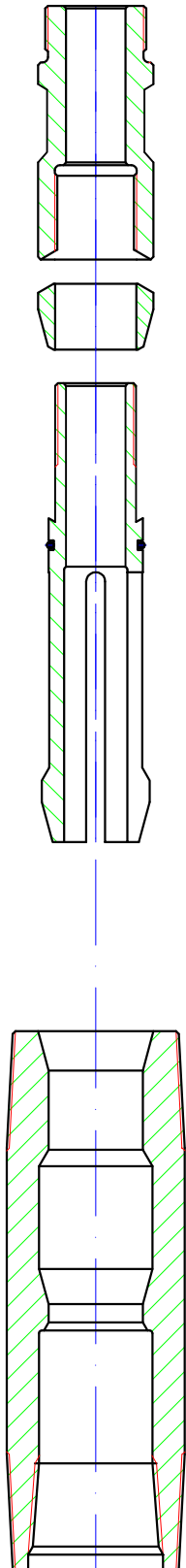
**NOTĂ**  
Conform API Specificatie API 11AX  
sixth edition March 1971

## PISTON CU RILE - P 21 (Grooved Plunger, One Piece)

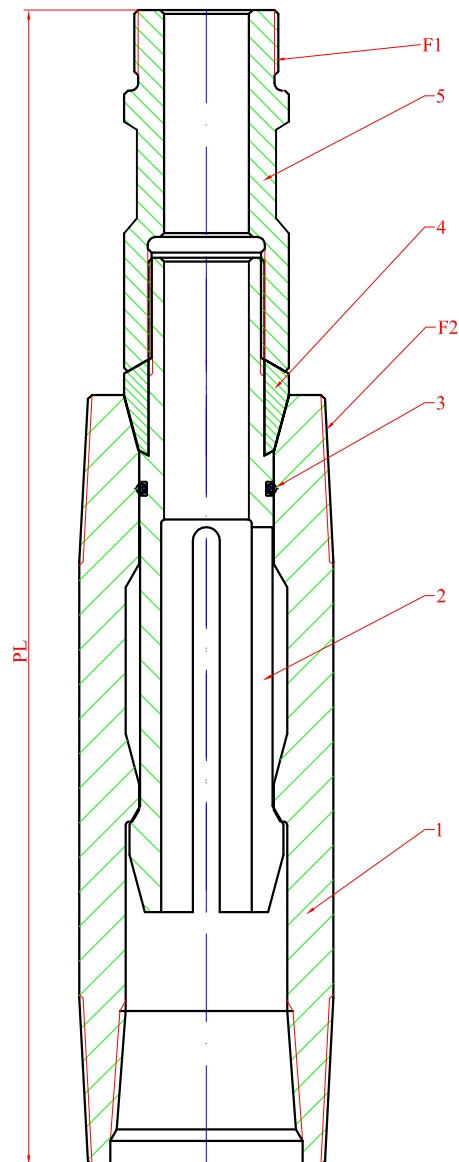


Dimensiunea	P21-125	P21-150	P21-175	P21-200	P21-225	P21-275	P21-375
F1	25,400-14 (10000-14)	31,750-14 (1.2500-14)	37,348-14 (1.4704-14)	39,634-14 (1.5604-14)	45,781-14 (1.8024-14)	53,581-11 1/2 (2.1095-11 1/2)	80,556-11 1/2 (3.1715-11 1/2)
OD1 <sup>+0,00 -0,013</sup>	31,75	38,10	44,45	50,80	57,15	69,85	95,25
OD2 <sup>+0,00 -0,30</sup>	29,75	36,10	42,45	48,80	55,15	67,85	95,25
SL	610; 915 ; 1220; 1525; 1830 mm ( 2 ; 3; 4; 5; 6 ft)						
PL	PL = SL + 76,2 mm ( 3 in)						
OA <sup>± 6,35</sup>	OA = PL + lungime filetului F1 x 2 ( PL + F1 Thread length x 2 )						

DISPOZITIV DE FIXARE CU INEL "O" S-22  
(Seating Assembly, Mechanical Bottom Lock)



Dimensiunea	S22-20	S22-25	S22-30
F1	37,348-14 (1.4704-14)	45,781-14 (1.8024-14)	53,581-11 ½ (2.1095-11 ½)
F2	60,3-8EU (2 3/8-8EU)	73,0-8EU (2 7/8-8EU)	88,9-8EU (3 1/2-8EU)
PL	300,0	293,0	350,0



- COMPONENTA/ COMPONENTS
- 1 Niplul de fixare / Nipple Seating
  - 2 Ancora / Anchor
  - 3 Inel O ( cauciuc)/ O Ring (rubber)
  - 4 Inel etansare ( meralic) / Ring
  - 5 Reductie / Bushing

SUPAPA PISTON CU COLIVIE MODIFICATĂ  
MODIFIED PISTON CAGE

COMPONENTA / COMPONENTS

1 Piulita piston / Piston Nut

2 Inel scaun / Seat

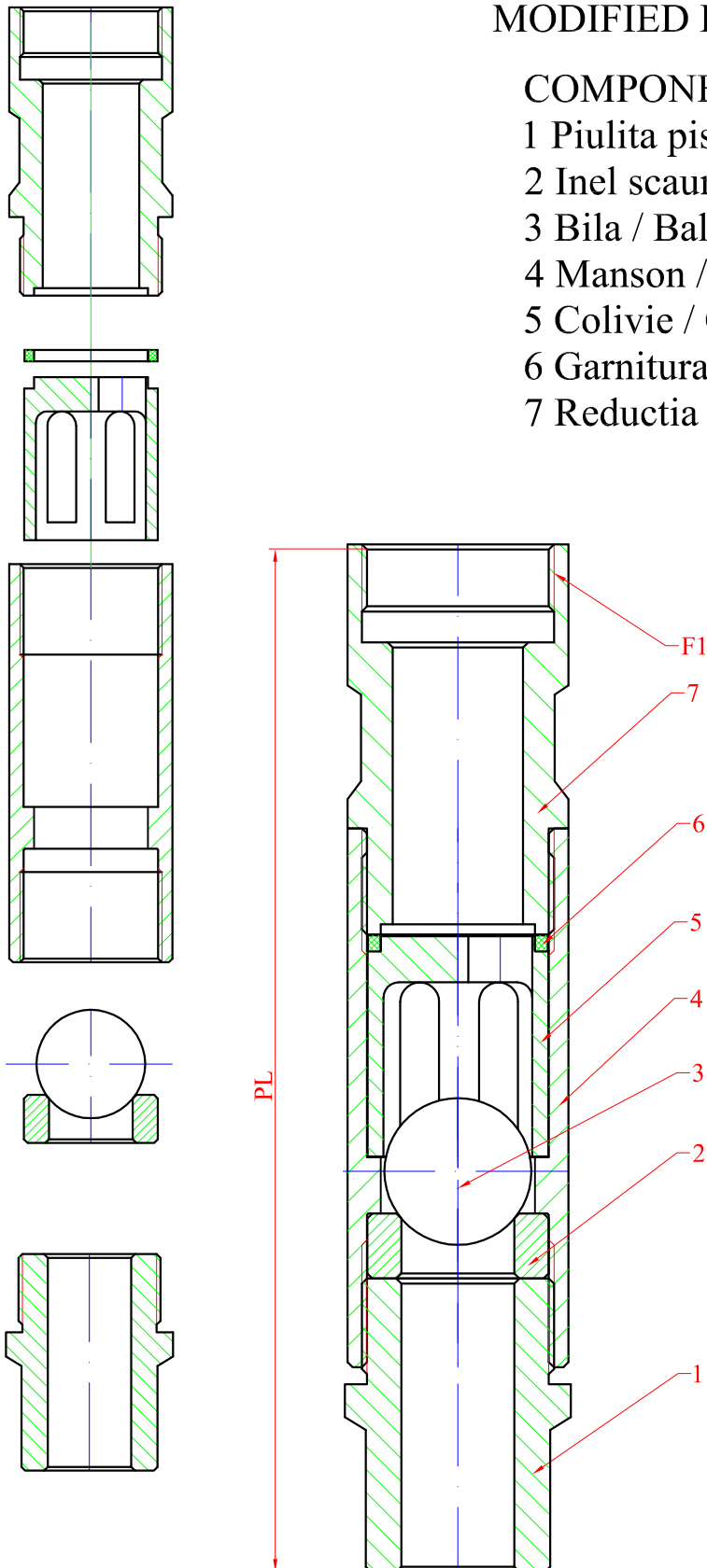
3 Bila / Ball

4 Manson / Bushing

5 Colivie / Cage

6 Garnitura / Ring

7 Reductia / Coupling



Dimensiunea	C 175
F1	37,348-14 (1.4704-14)
PL	200,0