

CONFIND

CATALOG CATALOGUE

**Piese de schimb pompe de adâncime
conform API Spec 11 AX
Subsurface Sucker Rod Pumps Fittings
according API Spec 11 AX**

EDITIA 2009

ISSUED 2009

SC CONFIND SRL CÂMPINA

Str. Progresului, nr.2, Câmpina 105600, Jud. Prahova

Tel/Fax 044 37 47 19; 044 37 37 09; 044 33 31 60;

E-mail: confind@confind.ro URL :www.confind.ro

SC CONFIND SRL este unul dintre principalii furnizori de piese de schimb pentru pompele de adâncime actionate cu prăjini de pompare aflate sub incidenta API Specificatia 11 AX. Acestea sunt utilizate în atelierele de reparatii pompe în vederea reconditionării pompelor de adâncime a căror parametri de functionare nu mai corespund.

Piesele de schimb utilizate la pompele de adâncime actionate cu prăjini de pompare aflate sub incidenta API Specificatia 11 AX editia 12 din iunie 2006 au o clasificare alfanumerică după cum urmează.

- B12, B13, B21,B22,B23,
- C11,C12,C13,C14,C15,C16,C17,C21,C22,C31,C32,C33,C34,C35,C36,C37,
- G11,
- N11,N12,N13,N14,N21,N22
- P11,P12,P 21,P31
- R11
- S11,S12,S13,S14,S15,S16,S17,S18,S19,S21,S22
- S31,S32,S33,S34
- T11
- V11

Acestea se execută în următoarele tipodimensiuni:

- 15,20,25,30,35,40 - atunci când referirea se face la teville de extractie.
- 125,150,175,200,225,250,275,375 - atunci când referirea se face la dimensiunea pistonului pompei

Piesele de schimb utilizate la pompele de adâncime actionate cu prăjini de pompare aflate sub incidenta API Specificatia 11 AX, în functie clasa de material, sunt executate în cadrul SC CONFIND SRL în următoarele variante:

Clasa A1: OLT 65 STAS 8185

Clasa A2: 34 Mo Cr 11 STAS 791

Clasa A3: 34 MoCrNi 17 STAS 791

Ancorele: 60Si15A STAS 795

Scaunele cu bilă: Bila 40 Cr 130 STAS 3583; Scaunul 205 Cr 115 STAS 3611

NOTĂ - Piesele de schimb utilizate la pompele de adâncime actionate cu prăjini de pompare aflate sub incidenta API Specificatia 11 AX se vor executa în mod curent în clasa de rezistență A1, dacă în comanda beneficiarului nu este specificată o altă clasă de material.

OBS. La cerere, se pot executa si variante constructive cu dimensiuni care nu sunt sub incidenta API specificatia 11 AX si clase de material diferite de cele de mai sus care nu sunt prezentate în acest catalog.

Mod de comandă

Piesele de schimb utilizate la pompele de adâncime actionate cu prăjini de pompare aflate sub incidenta API Specificatia 11 AX se vor comanda indicându-se următoarele date :

- Denumirea
- Simbolul API al reperului (conform API Specificatia 11 AX)
- Dimensiunea API a reperului (conform API Specificatia 11 AX)
- Clasa de material

Exemple:

* Un racord tijă pentru pompa de adâncime introdusă cu prăjini B21 în tevi de extractie cu diametrul exterior 2 7/8 in, executat din materiale din clasa A1 va fi simbolizat astfel: B21-25 / A1.

* O colivie piston C13, ce va echipa un piston de 1 3/4 in executat din materiale din clasa A3 va fi simbolizată astfel: C13-175 / A3.

SC CONFIND SRL is one of the main Romanian Subsurface sucker rod pumps fittings according to API Specification 11 AX.

Subsurface sucker rod pumps fittings are used in the pump repair shops as to achieve the repair of the Subsurface sucker rod pumps by replacing the damaged components.

Subsurface sucker rod pumps fittings according to API Specification 11 AX twelfth edition, June 2006 have alphanumeric classification as follows:

- B12, B13, B21, B22, B23,
- C11, C12, C13, C14, C15, C16, C17, C21, C22, C31, C32, C33, C34, C35, C36, C37,
- G11,
- N11, N12, N13, N14, N21, N22
- P11, P12, P21, P31
- R11
- S11, S12, S13, S14, S15, S16, S17, S18, S19, S21, S22
- S31, S32, S33, S34
- T11
- V11

These are made under following typodimension:

- 15, 20, 25, 30, 35, 40 - reference to the tubing dimensions
- 125, 150, 175, 200, 225, 250, 275, 375 - reference to the pump plunger dimensions

For the Subsurface sucker rod pumps fittings according to API Specification 11 AX twelfth edition, June 2006 SC CONFIND SRL is using the following materials:

- Class A1: Steel - AISI 1030 - AISI 1045
- Class A2: Low alloy steel - AISI 4130 - AISI 4142
- Class A3: Low alloy steel - AISI 8620
- Class A4: Ni/Cu alloy - Ni/Cu alloy
- Class A5: Brass - UNS C36000 - UNS C46400
- Class A6: Stainless steel - AISI 316

For Ball and Seat SC CONFIND SRL is using the following materials:

- Class A1: Stainless steel - UNS 44000 - UNS 44000
- Class B2: Cobalt alloy, powder metal - Cobalt, Chromium, m and tungsten alloy
- Class C1: Tungsten Carbide - Tungsten with Cobalt binder

How to order:

For the Subsurface sucker rod pumps fittings according to API Specification 11 AX twelfth edition, June 2006 the customer will specify the following data:

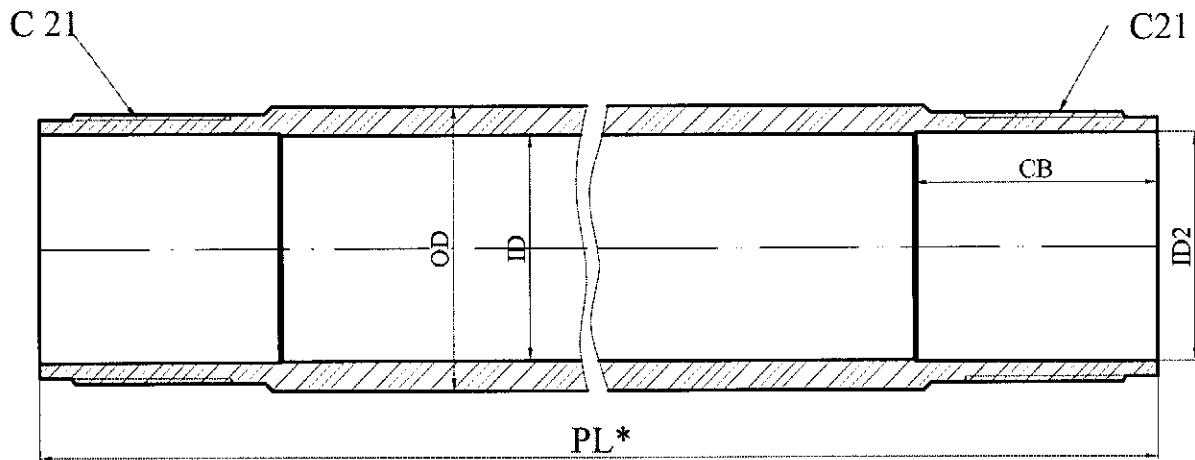
- Denomination
- API part symbol (according to API Specification 11 AX)
- API Dimensional symbol API (according to API Specification 11 AX)
- Material Identification symbol

Example:

* For Bushing Valve Rod B21 who works in 2 7/8 in tubing, made from class A1 materials the symbol will be: B21-25 / A1.

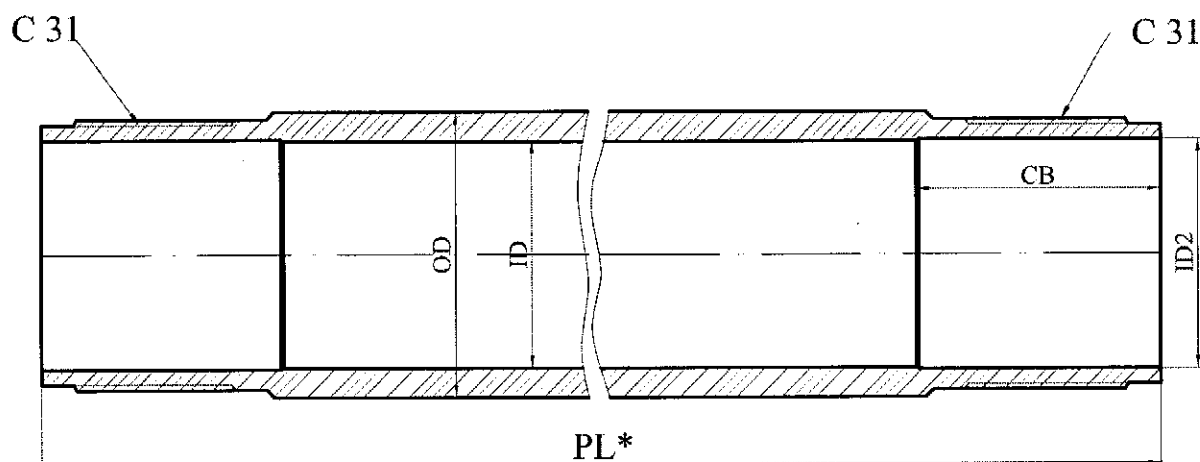
* For Cage, Closed, Pin Plunger C13, who works with 1 3/4 in plunger, made from class A3 materials the symbol will be: C13-175 / A3.

CILINDRU CU PERETE GROS - B12 (Barrel, Heavy Wall, Rod Pump)



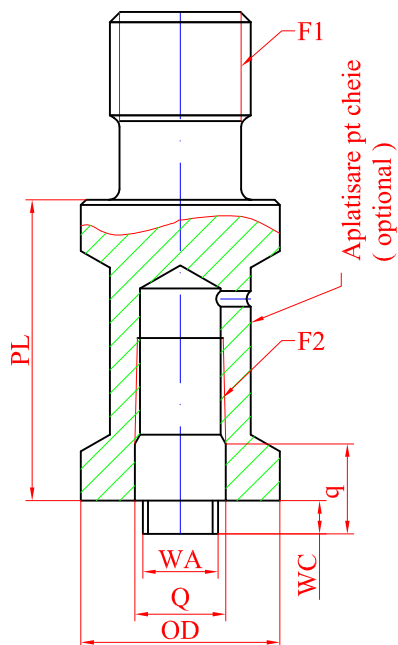
Dimensiunea	B12-125	B12-175	B12-225
C 21	39,945-16 (1.5730-16)	53,010-16 (2.0870-16)	65,345-16 (2.5730-16)
CB ^{+25,4} -19,10	38,1	38,10	38,10
ID ^{+0,05} -0,00	31,75	44,45	57,15
ID2 ^{+1,57} -0,38	32,39	45,09	57,79
OD max/min	44,70 / 40,64	57,40 / 53,34	70,10 / 66,04
PL ^{±6,35}	8; 10; 12; 14; 16; 18; 20; 22; 24; 26; 28; 30 ft		

CILINDRU CU PERETE GROS - B13 (Barrel, Heavy Wall, Tubing Pump)



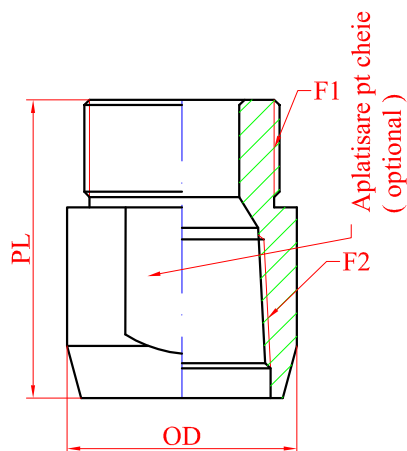
Dimensiunea	B 13-175	B 13-225	B 13-275
C 31	56,845-11 1/2 (2.2380-11 1/2)	69,545-11 1/2 (2.7380-11 1/2)	82,245-11 1/2 (3.2380-11 1/2)
CB ^{+25,4} _{-19,10}	38,10	38,1	38,10
ID ^{+0,05} _{-0,00}	44,45	57,15	69,85
ID2 ^{+1,57} _{-0,38}	45,09	57,79	70,49
OD max/min	57,40 / 56,64	70,10 / 66,34	82,80 / 82,04
PL ^{±6,35}	8; 10; 12; 14; 16; 18; 20; 22; 24; 26; 28; 30 ft		

RACORD TIJE - B21 (Bushing valve rod)



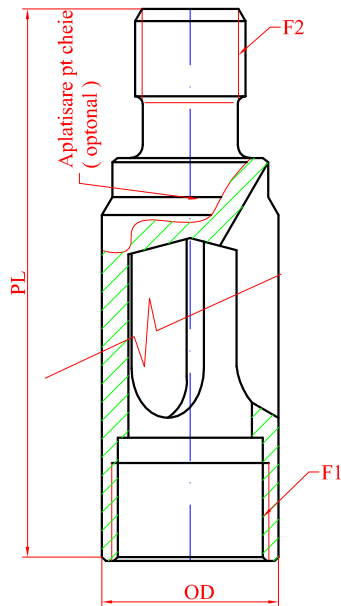
Dimensiunea	B21-15	B21-20	B21-25	B21-30
F1	15,9 (5/8)	19,1 (3/4)	19,1 (3/4)	19,1 (3/4)
F2	9,6 (3/8)	9,6 (3/8)	12,7 (1/2)	19,1 (3/4)
Q ^{+0,08} _{-0,00}	17,53	17,53	22,28	27,05
q ^{±0,79}	19,10	19,10	19,10	19,10
OD ^{+0,79} _{-0,25}	31,80	38,10	41,30	41,30
WA	14,27 ^{+0,00} _{-0,031}	17,48 ^{±0,79}	19,05 ^{±0,79}	22,23 ^{±0,79}
WC ^{+1,57} _{-0,00}	6,35	6,35	6,35	6,35
PL ^{±25,4}	69,85	69,85	69,85	69,85

SUPORT SUPAPĂ INFERIOARĂ - B22 (Bushing, seat, barrel cage)

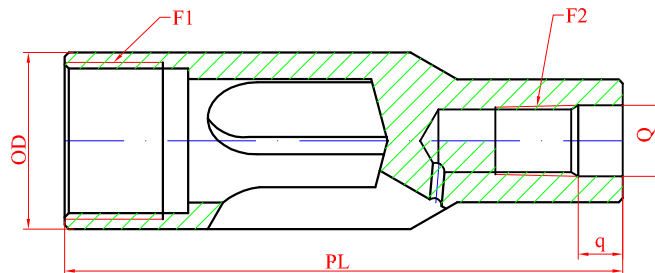


Dimensiunea	B22-15	B22-20	B22-25	B22-30
F1	31,750-14 (1.2500-14)	37,348-14 (1.4704-14)	45,781-14 (1.8024-14)	53,581-11 ½ (2.1095-11 ½)
F2	19,1 (3/4)	25,4 (1)	31,8 (1 1/4)	38,1 (1 1/2)
OD max. / min.	36,53 34,95	44,45 41,28	57,15 53,98	69,85 65,10
PL ^{±25,4}	57,15	57,15	69,85	76,20

RACORD - C11 (Cage, Top open)

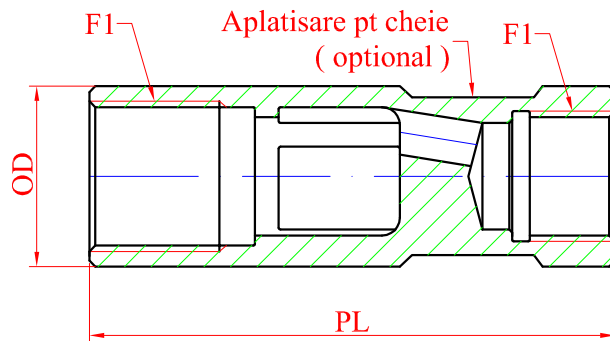


Dimensiunea	C11-15	C11-20	C11-25	C11-30	C11-40
F1	31,750-14 (1.2500-14)	37,348-14 (1.4704-14)	45,781-14 (1.8024-14)	53,581-11 ½ (2.1095-11 ½)	53,581-11 ½ (2.1095-11 ½)
F2	15,9 (5/8)	19,1 (3/4)	19,1 (3/4)	19,1 (3/4)	25,4 (1)
OD ±0,79	36,53	42,88	55,58	66,68	92,08
PL ± 25,4	76,20	88,90	101,60	114,30	146,05



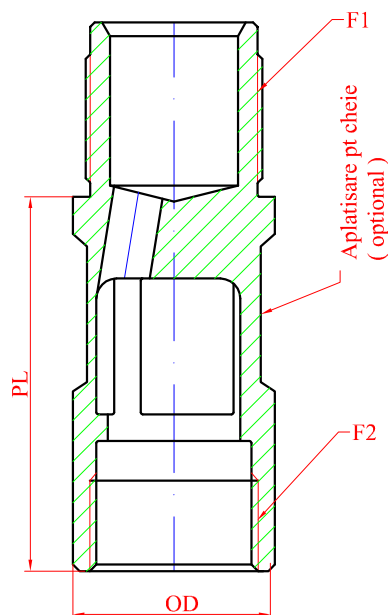
RACORD PISTON - C12 (Cage, Top plunger)

Dimensiunea	C12-125	C12-150-20	C12-150-25	C12-175	C12-200	C12-225	C12-250
F1	25,4000-14 (1.0000-14)	31,750-14 (1.2500-14)	31,750-14 (1.2500-14)	37,348-14 (1.4704-14)	39,634-14 (1.5604-14)	45,781-14 (1.8024-14)	53,581-11 ½ (2.1095-11 ½)
F2	9,6 (3/8)	9,6 (3/8)	12,7 (1/2)	12,7 (1/2)	12,7 (1/2)	19,1 (3/4)	19,1 (3/4)
Q ^{+0,08} _{-0,00}	17,53	17,53	22,28	22,28	22,28	27,05	27,05
q ± 0,79	19,1	19,1	19,1	19,1	19,1	19,1	19,1
OD ± 0,79	30,48	36,83	36,83	43,18	49,53	55,88	62,23
PL ± 0,79	114,3	127,0	127,0	136,5	136,5	155,6	161,9



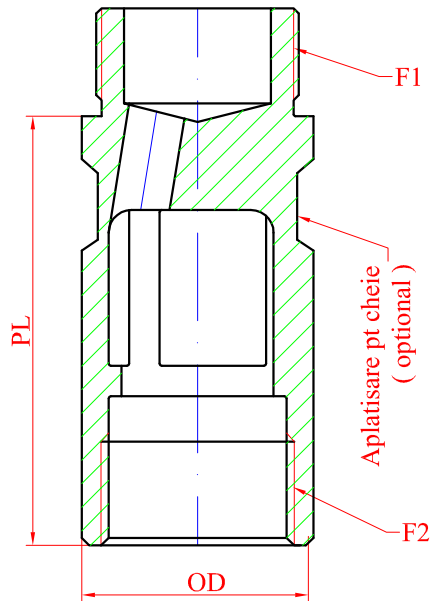
COLIVIE PISTON - C13 (Cage, Closed, Pin plunger)

Dimensiunea	C13-125	C13-150	C13-175	C13-200	C13-225	C13-250	C13-275	C13-300
F1	25,4000-14 (1.0000-14)	31,750-14 (1.2500-14)	37,348-14 (1.4704-14)	39,634-14 (1.5604-14)	45,781-14 (1.8024-14)	53,581-11 ½ (2.1095-11 ½)	53,581-11 ½ (2.1095-11 ½)	80,556-11 ½ (3.1715-11 ½)
F2	25,4000-14 (1.0000-14)	31,750-14 (1.2500-14)	37,348-14 (1.4704-14)	39,634-14 (1.5604-14)	45,781-14 (1.8024-14)	53,581-11 ½ (2.1095-11 ½)	53,581-11 ½ (2.1095-11 ½)	80,556-11 ½ (3.1715-11 ½)
OD ± 0,79	30,48	36,83	43,18	49,53	55,88	62,23	67,31	92,71
PL ± 1,57	88,9	104,8	120,7	127,0	133,4	139,7	139,7	203,2



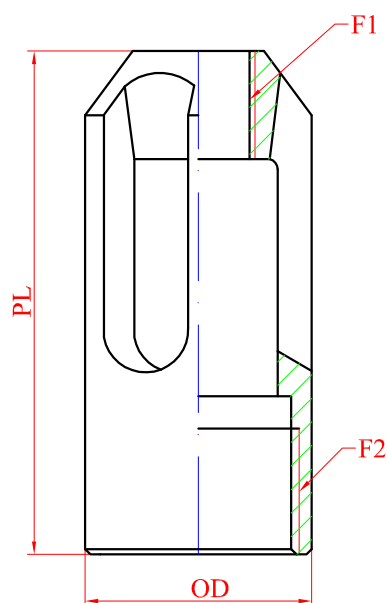
COLIVIE INFERIOARĂ - C14 (Cage, Closed Barrel)

Dimensiunea	C14-15	C14-20-125	C14-20	C14-25	C14-30
F1	33,858-16 (1.3330-16)	33,858-16 (1.3330-16)	39,954-16 (1.5730-16)	53,010-16 (2.0870-16)	65,345-16 (2.5730-16)
F2	31,750-14 (1.2500-14)	37,348-14 (1.4704-14)	37,348-14 (1.4704-14)	45,781-14 (1.8024-14)	53,581-11 ½ (2.1095-11 ½)
OD ± 0,25	36,53	42,88	55,58	66,68	92,08
PL ± 25,4	76,20	88,90	101,60	114,30	146,05



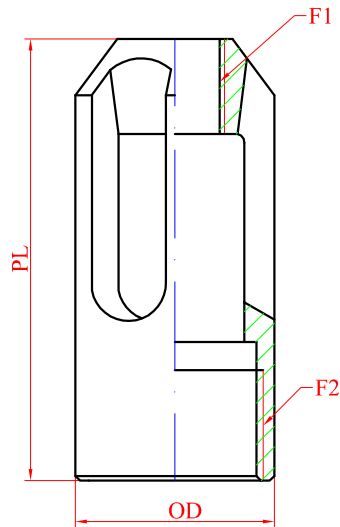
COLIVIE PISTON - C15 (Cage, Closed, box plunger)

Dimensiunea	C14-15	C14-20	C14-25	C14-30
F1	38,313-14 (1.5084-14)	50,455-14 (1.9864-14)	60,330-11 ½ (2.3755-11 ½)	85,916-11 ½ (3.3825-11 ½)
F2	37,348-14 (1.4704-14)	45,781-14 (1.8024-14)	53,581-11 ½ (2.1095-11 ½)	80,556-11 ½ (3.1715-11 ½)
OD $\pm 0,31$	43,18	55,58	67,31	92,71
PL $\pm 25,4$	120,65	133,35	133,35	158,75



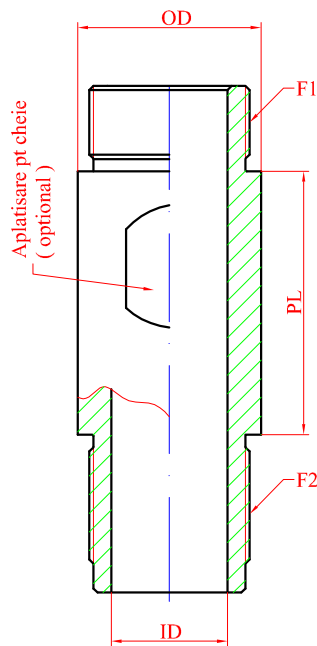
COLIVIE INFERIOARĂ - C16 (Cage, Standing Valve)

Dimensiunea	C16-175	C16-225	C16-275	C16-375
F1	19,050-10 (0.750-10)	19,050-10 (0.750-10)	19,050-10 (0.750-10)	19,050-10 (0.750-10)
F2	37,348-14 (1.4704-14)	45,781-14 (1.8024-14)	53,581-11 ½ (2.1095-11 ½)	80,556-11 ½ (3.1715-11 ½)
OD	42,37 $\pm 0,51$	55,07 $\pm 0,51$	68,28 66,04	94,23 91,44
PL $\pm 25,4$	95,25	101,60	114,30	158,75



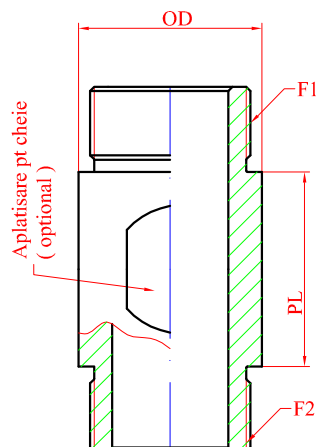
COLIVIE PISTON - C17 (Cage, Top Plunger)

Dimensiunea	C16-175	C16-225	C16-275	C16-375
F1	19,050-10 (0.750-10)	19,050-10 (0.750-10)	19,050-10 (0.750-10)	19,050-10 (0.750-10)
F2	25,400-14 (1.000-14)	31,750-14 (1.2500-14)	39,634-14 (1.5604-14)	53,581-11 ½ (2.1095-11 ½)
OD ^{±0,79}	30,48	36,83	49,53	62,23
PL ^{±0,79}	66,70	69,90	85,70	108,00



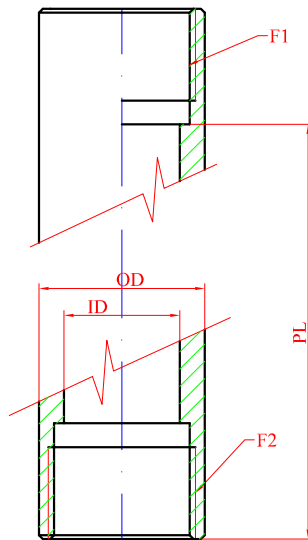
REDUCTIE CILINDRU - C21 (Connector, Upper Barrel)

Dimensiunea	C21-15	C21-20-125	C21-20	C21-25	C21-30
F1	31,750-14 (1.2500-14)	37,348-14 (1.4704-14)	37,348-14 (1.4704-14)	45,781-14 (1.8024-14)	53,581-11 ½ (2.1095-11 ½)
F2	33,858-16 (1.3330-16)	33,858-16 (1.3330-16)	39,954-16 (1.5730-16)	53,010-16 (2.0870-16)	65,345-16 (2.5730-16)
ID	23,83 ^{±0,38}	25,40 ^{±1,57}	25,40 ^{±1,57}	31,75 ^{±1,57}	38,10 ^{±1,57}
OD ^{±0,25}	36,58	44,45	44,45	57,15	69,85
PL ^{±0,79}	63,50	63,50	63,50	76,20	76,20



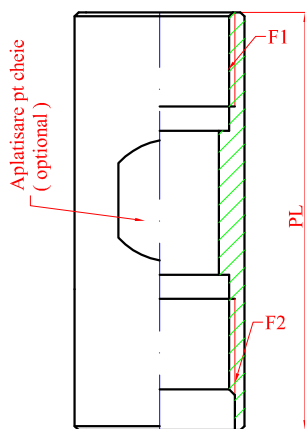
REDUCTIE piston - C22 (Connector, Box Plunger)

Dimensiunea	C22-175	C22-225	C22-275	C22-373
F1	37,348-14 (1.4704-14)	45,781-14 (1.8024-14)	53,581-11 ½ (2.1095-11 ½)	80,556-11 ½ (3.1715-11 ½)
F2	38,313-14 (1.5084-14)	50,455-14 (1.9864-14)	60,338-11½ (2.3755-11½)	85,916-11½ (3.3825-11½)
ID	25,40 ^{±1,57}	31,75 ^{±1,57}	38,10 ^{±1,57}	58,72 ^{±6,35}
OD ^{±0,79}	43,18	55,88	67,31	92,71
PL ^{±12,70}	38,10	38,10	38,10	44,45



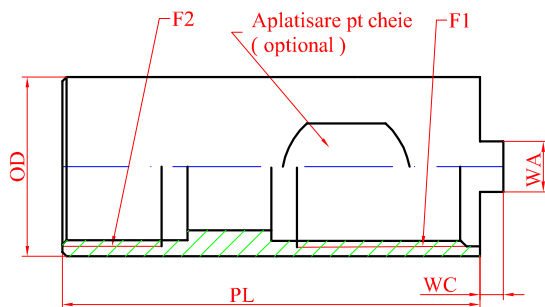
MANSON EXTENSIE - C31 (Coupling, Extension)

Dimensiunea	C31-125	C31-150	C31-175	C31-225
F1	39,954-16 (1.5730-16)	47,625-16 (1.8750-16)	53,010-16 (2.0870-16)	65,354-16 (2.5730-16)
F2	39,954-16 (1.5730-16)	53,010-16 (2.0870-16)	53,010-16 (2.0870-16)	65,354-16 (2.5730-16)
ID $\pm 0,79$	33,32	40,46	46,02	58,72
OD $+0,25$ $-0,76$	44,45	57,40 52,40	57,15	69,85
PL $\pm 6,35$	6; 12; 18; 24; 36 in 152,4; 304,8; 457,2; 609,6; 914,4			



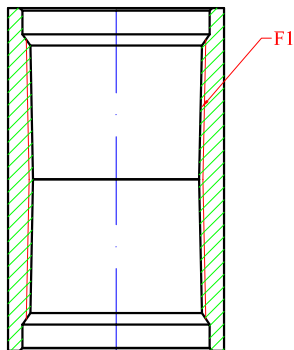
REDUCTIE - C32 (Coupling, Pull Tube, Upper)

Dimensiunea	C32-125	C32-150	C32-175	C32-200	C32-225	C32-250
F1	25,400-14 (1.0000-14)	31,750-14 (1.2500-14)	37,348-14 (1.4704-14)	39,634-14 (1.5604-14)	45,781-14 (1.8024-14)	53,581-11 ½ (2.1095-11 ½)
F2	23,813-16 (0.9375-16)	28,575-16 (1.1250-16)	33,338-16 (1.3125-16)	38,100-16 (1.5000-16)	45,781-16 (1.8750-16)	47,625-16 (1.8750-16)
OD $\pm 0,25$	30,48	36,83	43,18	44,45	55,88	62,23
PL $\pm 0,79$	101,60	101,60	106,40	111,10	136,50	136,50



REDUCTIE - C33 (Coupling, Pull Tube, Lower)

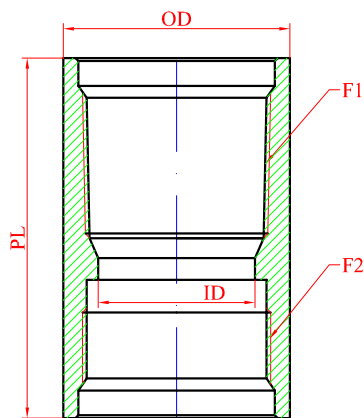
Dimensiunea	C33-125-14	C33-125	C33-150-20	C33-150-25	C33-175	C33-200	C33-225
F1	22,813-16 (0.9375-16)	22,813-16 (0.9375-16)	28,575-16 (1.1250-16)	28,575-16 (1.1250-16)	33,338-16 (1.3125-16)	38,100-16 (1.5000-16)	45,781-16 (1.8750-16)
F2	31,750-14 (1.2500-14)	37,348-14 (1.4704-14)	37,348-14 (1.4704-14)	45,781-14 (1.8024-14)	45,781-14 (1.8024-14)	45,781-14 (1.8024-14)	53,581-11 ½ (2.1095-11 ½)
WA $\pm 0,79$	17,48	17,48	17,48	19,05	19,05	19,05	22,23
WC $\pm 0,79$	6,35	6,35	6,35	6,35	6,35	6,35	6,35
OD	36,58 $\pm 0,25$	44,45 $\pm 1,58$	44,45 $\pm 1,58$	55,88 $\pm 1,58$	55,88 $\pm 1,58$	55,88 $\pm 3,18$	68,58 $\pm 3,18$
PL $\pm 12,70$	73,03	73,03	76,20	79,38	82,55	82,55	88,90



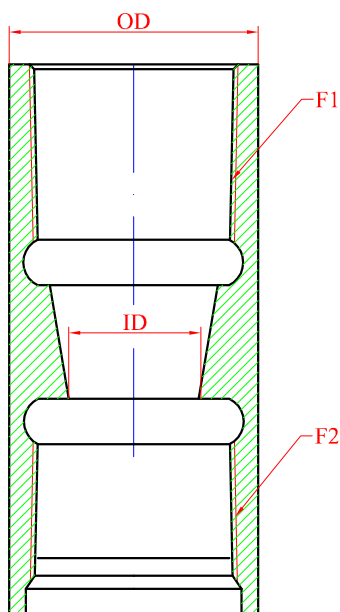
MUFA - C34 (Coupling, Tubing)

Dimensiunea	C34-15	C34-20	C34-25	C34-30	C34-40
F1	48,3-10IJ (1.900-10IJ)	60,3-8EU (2 3/8-8EU)	73,0-8EU (2 7/8-8EU)	88,9-8EU (3 1/2-8EU)	114,3-8EU (4 1/2-8EU)

MUFA - C35 (Coupling, Barrel)

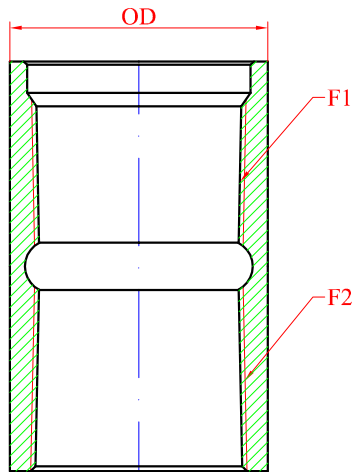


Dimensiunea	C35-20	C35-25	C35-30	C35-40
F1	60,3-8EU (2 3/8-8EU)	73,0-8EU (2 7/8-8EU)	88,9-8EU (3 1/2-8EU)	114,3-8EU (4 1/2-8EU)
F2	56,845-11½ (2.2380-11½)	69,545-11½ (2.7380-11½)	82,245-11½ (3.2380-11½)	107,645-11½ (4.2380-11½)
ID ±0,79	46,81	59,51	72,21	97,61
OD ±1,57	76,2	92,1	114,3	141,3
PL±25,40	127,00	133,35	139,70	165,10



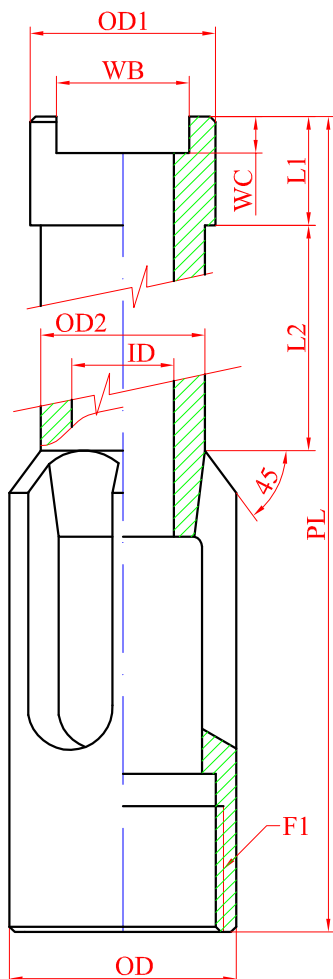
MUFA - C36 (Coupling, Barrel, Lower) (Soft-Paked Tubing Pump)

Dimensiunea	C36-20	C36-25	C36-30
F1	178-11½	225-11½	275-11½
F2	60,3-8EU (2 3/8-8EU)	73,0-8EU (2 7/8-8EU)	88,9-8EU (3 1/2-8EU)
ID ±0,51	35,33	47,04	58,72
OD ±0,79	76,2	92,1	114,3
PL ±1,57	25,4	28,6	31,8



MUFA - C37 (Coupling, Barrel) (Soft-Paked Tubing Pump)

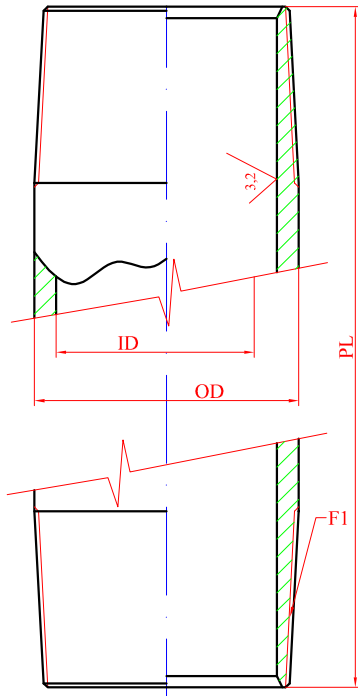
Dimensiunea	C37-20	C37-25	C37-30
F1	60,3-8EU (2 3/8-8EU)	73,0-8EU (2 7/8-8EU)	88,9-8EU (3 1/2-8EU)
F2	178-11½	225-11½	275-11½
OD $\pm 1,57$	76,2	92,1	114,3



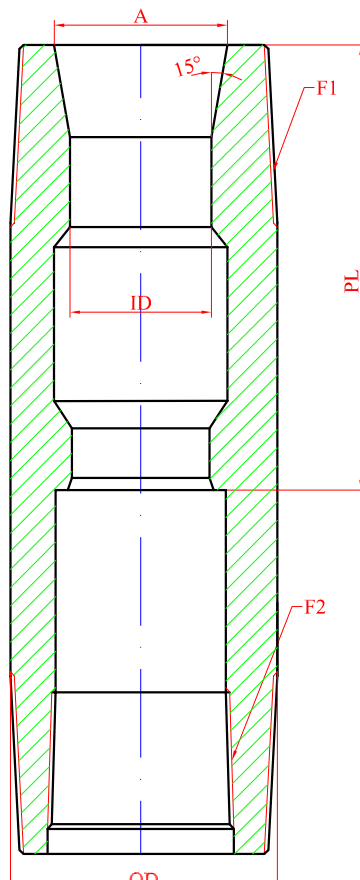
FELINAR - G11 (Guide, Valve Rod)

Dimensiunea	C35-20	C35-25	C35-30	C35-40
F1	31,750-14 (1.2500-14)	37,348-14 (1.4704-14)	45,781-14 (1.8024-14)	53,581-11 ½ (2.1095-11 ½)
ID $\pm 1,57$	19,46	19,46	24,21	28,98
L1 $\pm 0,79$	19,1	19,1	19,1	19,1
L2 $\begin{smallmatrix} +1,57 \\ -0 \end{smallmatrix}$	54,0	54,0	60,3	63,5
OD1 $\pm 0,13$	31,75	38,10	41,28	41,28
OD2 $\begin{smallmatrix} +0,0 \\ -0,79 \end{smallmatrix}$	28,6	34,9	38,1	38,1
OD3 $\pm 0,79$	38,10	44,45	57,15	69,85
WB $\begin{smallmatrix} +1,57 \\ -0,0 \end{smallmatrix}$	15,88	20,62	25,40	25,40
WC $\begin{smallmatrix} +0,79 \\ -0,0 \end{smallmatrix}$	6,35	6,35	6,35	6,35
PL $\pm 0,79$	139,7	139,7	152,4	158,8

NIPLU DE FIXARE - N11 (Nipple, Seating, Cup Type) (Rod Pump)



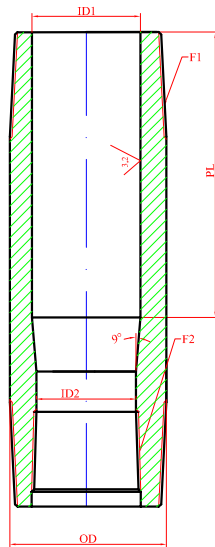
Dimensiunea	N11-15	N11-20	N11-25	N11-30
F1	48,3-10IJ (1.900-10IJ)	60,3-8EU (2 3/8-8EU)	73,0-8EU (2 7/8-8EU)	88,9-8EU (3 1/2-8EU)
ID $\begin{matrix} -0,25 \\ -0 \end{matrix}$	37,03	43,21	57,91	70,61
OD $\begin{matrix} +1,57 \\ -0 \end{matrix}$	53,19	65,89	78,59	95,25
PL minim	152,4	152,4	152,4	152,4



NIPLU DE FIXARE - N12 (Nipple, Seating, Mechanical Bottom Lock)

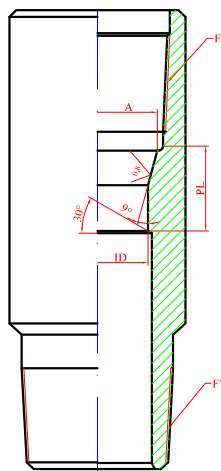
Dimensiunea	N12-15	N12-20	N12-25	N12-30	N12-40
F1	48,3-10IJ (1.900-10IJ)	60,3-8EU (2 3/8-8EU)	73,0-8EU (2 7/8-8EU)	88,9-8EU (3 1/2-8EU)	114,3-8EU (4 1/2-8EU)
F2	LP 25,4 LP 1	LP 38,1 LP 1 1/2	LP 50,8 LP 2	LP 63,5 LP 2 1/2	LP 76,2 LP 3
A $\pm 0,13$	37,47	42,88	55,58	68,28	93,68
ID $\pm 0,13$	28,58	34,93	44,45	57,15	76,20
OD $\begin{matrix} +1,57 \\ -0 \end{matrix}$	53,19	65,89	78,59	95,25	120,65
PL $\begin{matrix} +0,0 \\ -0,41 \end{matrix}$	92,86	110,54	129,59	156,57	157,18

NIPLU DE FIXARE - N13 (Nipple, Seating 2 Cup Type) (Tubing Pump)



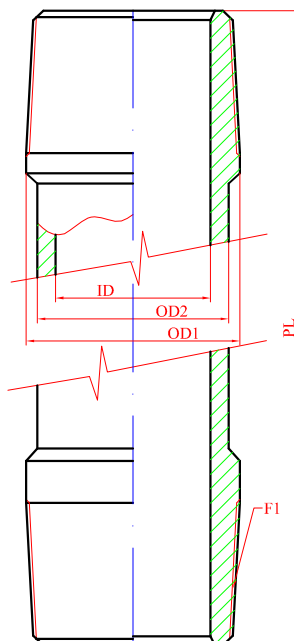
Dimensiunea	N13-20	N13-25	N13-30
F1	60,3-8EU (2 3/8-8EU)	73,0-8EU (2 7/8-8EU)	88,9-8EU (3 1/2-8EU)
F2	LP 1 1/2 (38,1)	LP 2 (50,8)	LP 2 (50,8)
ID1 ^{+0,25} ₋₀	43,43	56,13	68,83
ID2 ^{+1,02} ₋₀	34,82	46,53	58,22
OD ^{+1,57} ₀	65,89	78,59	95,25
PL ^{±1,57}	133,4	146,1	139,7

NIPLU DE FIXARE - N14 (Nipple, Seating) (Mechanical Top Lock)

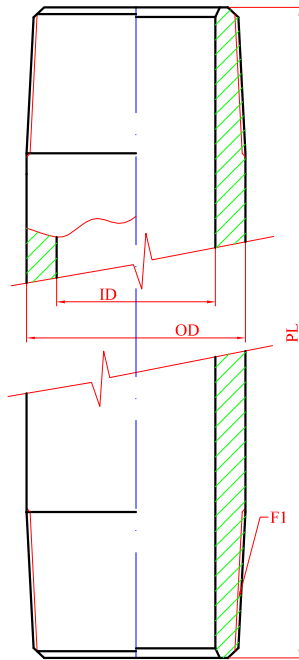


Dimensiunea	N14-20	N14-25	N14-30
F1	60,3-8EU (2 3/8-8EU)	73,0-8EU (2 7/8-8EU)	88,9-8EU (3 1/2-8EU)
A ±0,05	47,63	59,54	72,24
ID ^{+0,25} ₋₀	45,21	57,91	70,61
PL ⁰ _{-0,13}	24,71	23,32	23,32

NIPLU EXTENSIE - N21 (Nipple, Extension, Upper)



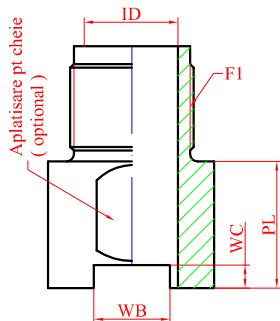
Dimensiunea	N21-20	N21-25	N21-30	N21-40
F1	60,3-8EU (2 3/8-8EU)	73,0-8EU (2 7/8-8EU)	88,9-8EU (3 1/2-8EU)	114,3-8EU (4 1/2-8EU)
ID ^{+4,19} ₋₀	48,31	59,69	72,82	97,41
OD1 ^{+1,57} ₋₀	65,89	78,59	93,25	120,65
OD2 ±0,79	60,3	73,0	88,9	114,3
PL ±6,35	609,6 914.4	609,6 914.4	609,6 914.4	609,6 914.4



NIPLU EXTENSIE - N22 (Nipple, Extension, Lower)

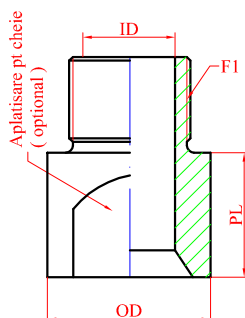
Dimensiunea	N22-20	N22-25	N22-30	N22-40
F1	60,3-8EU (2 3/8-8EU)	73,0-8EU (2 7/8-8EU)	88,9-8EU (3 1/2-8EU)	114,3-8EU (4 1/2-8EU)
ID $\begin{smallmatrix} +4,19 \\ -0 \end{smallmatrix}$	48,31	59,69	72,82	97,41
OD $\begin{smallmatrix} +1,57 \\ -0 \end{smallmatrix}$	65,89	78,59	93,25	120,65
PL $\pm 6,35$	609,6 914.4	609,6 914.4	609,6 914.4	609,6 914.4

PIULITA - P11 (Plug, Pull)

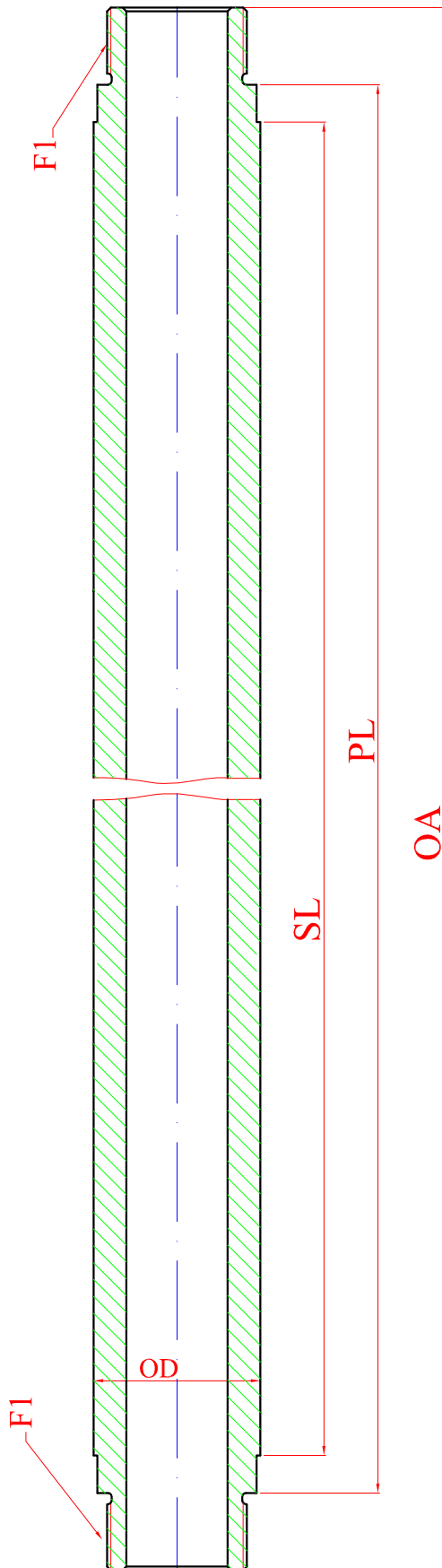


Dimensiunea	P11-125 -15	P11-125	P11-150 -25	P11-150	P11-175	P11-200	P11-225
F1	33,858-16 (1.3330-16)	39,954-16 (1.5730-16)	39,954-16 (1.5730-16)	53,010-16 (2.0870-16)	53,010-16 (2.0870-16)	53,010-16 (2.0870-16)	65,345-16 (2.5730-16)
ID $\begin{smallmatrix} +0,79 \\ -0 \end{smallmatrix}$	25,40	25,40	30,18	30,18	34,93	39,67	49,20
WB $\begin{smallmatrix} +1,57 \\ -0 \end{smallmatrix}$	20,62	20,62	20,62	25,40	25,40	25,40	25,40
WC $\begin{smallmatrix} +0,79 \\ -0 \end{smallmatrix}$	6,35	6,35	6,35	6,35	6,35	6,35	6,35
PL $\pm 0,79$	34,9	34,9	34,9	34,9	34,9	34,9	34,9

PIULITA PISTON - P12 (Plug, Seat)



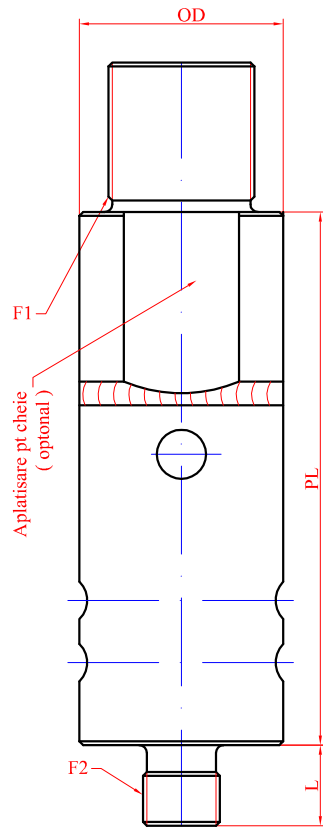
Dimensiunea	P12-125	P12-150	P12-175	P12-200	P11-225	P12-250
F1	31,750-14 (1.2500-14)	31,750-14 (1.2500-14)	37,348-14 (1.4704-14)	39,634-14 (1.5604-14)	45,781-14 (1.8024-14)	53,581-11 1/2 (2.1095-11 1/2)
ID $\pm 1,57$	15,88	22,23	25,40	25,40	31,75	38,10
OD $\pm 0,79$	30,2	36,5	42,9	49,2	55,6	61,9
PL $\pm 0,79$	25,4	25,4	25,4	25,4	25,4	25,4



PISTON - P 21 (Plunger, One Piece)

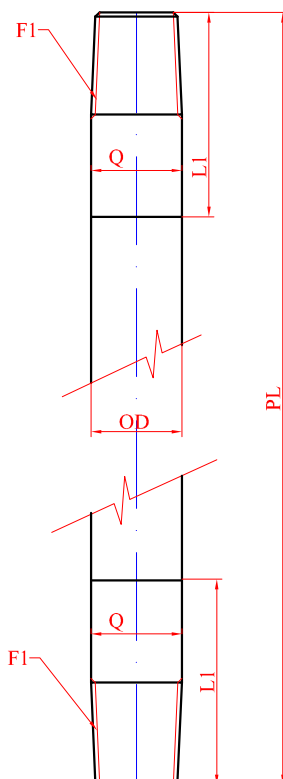
Dimensiunea	P21-125	P21-150	P21-175	P21-200	P21-225	P21-275	P21-375
F1	25,400-14 (10000-14)	31,750-14 (1.2500-14)	37,348-14 (1.4704-14)	39,634-14 (1.5604-14)	45,781-14 (1.8024-14)	53,581-11 1/2 (2.1095-11 1/2)	80,556-11 1/2 (3.1715-11 1/2)
OD ^{+0,00} _{-0,013}	31,75	38,10	44,45	50,80	57,15	69,85	95,25
SL	610; 915 ; 1220; 1525; 1830 mm (2 ; 3; 4; 5; 6 ft)						
PL	PL = SL + 76,2 mm (3 in)						
OA ^{±0,35}	OA = PL + lungime filetelui F1 x 2 (PL + F1 Thread length x 2)						

EXTRACTOR BAIONETĂ - P31 (Puller, Standing Valve)

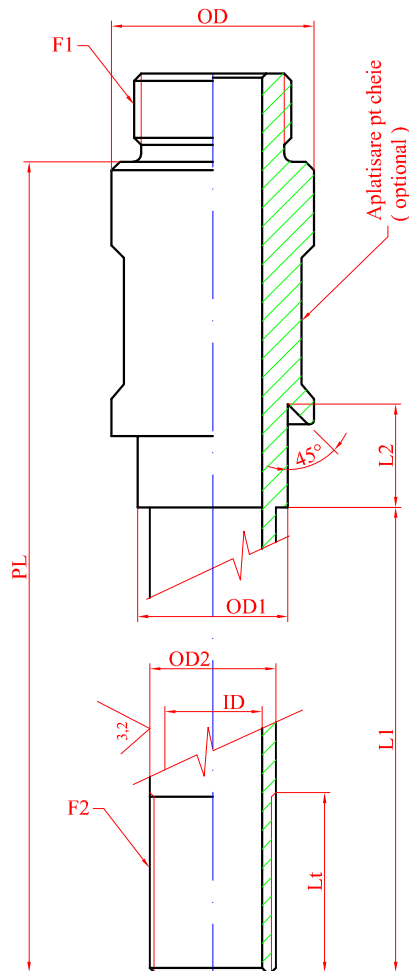


Dimensiunea	P31-175	P31-225	P31-275	P31-375
F1	37,348-14 (1.4704-14)	45,781-14 (1.8024-14)	53,581-11 ½ (2.1095-11 ½)	80,556-11 ½ (3.1715-11 ½)
F2	19,050-10 (0.7500-10)	19,050-10 (0.7500-10)	19,050-10 (0.7500-10)	19,050-10 (0.7500-10)
OD ± 0,79	42,88	55,58	66,68	92,71
L min/max	15,88 23,83	15,88 23,83	15,88 23,83	15,88 23,83
PL ± 50,40	139,70	152,40	177,80	228,60

TIJA - R11 (Rod, Valve)



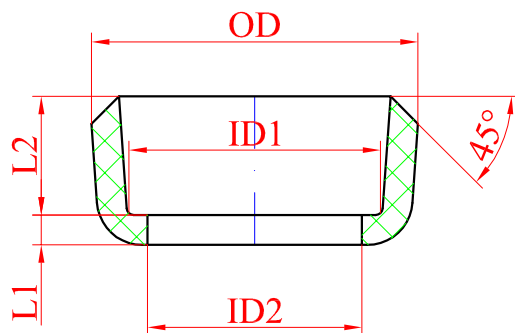
Dimensiunea	R11-20	R11-25	R11-30
F1	L 9,5 L 3/8	L 12,7 L 1/2	L 19,1 L 3/4
Q ^{+0,0} _{-0,13}	17,48	22,23	27,00
OD ^{+0,0} _{-0,13}	17,5	22,2	27,0
L1 ± 1,57	44,5	50,8	50,8
PL ± 3,18	Se va specifica de către beneficiar		



SUPORT - S11 (Seating Mandrel, Cup, (Type HR) (Rod Pump and Fittings))

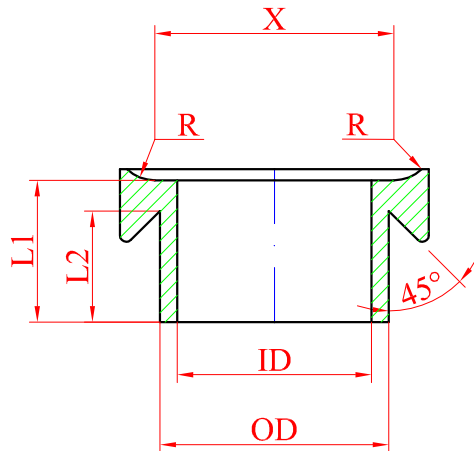
Dimensiunea	C36-20	C36-25	C36-30
F1	37,348-14 (1.4704-14)	45,781-14 (1.8024-14)	53,581-11 ½ (2.1095-11 ½)
F2	30,211-14 (1.1894-14)	39,634-14 (1.5604-14)	50,889-11 ½ (2.0035-11 ½)
ID minim	22,2	30,2	36,5
OD max.	48,29	59,54	72,24
OD min.	46,74	59,18	71,88
OD1 ^{+0,0} _{-0,41}	35,71	46,84	59,54
OD2 ^{+0,0} _{-0,25}	30,15	39,67	50,80
L1 ± 1,57	111,1	123,8	127,0
L2 ^{+0,16} _{-0,0}	17,07	17,86	17,86
Lt minim	57,2	60,3	60,3
PL ± 1,57	193,7	206,4	206,4

CUPA - S12 (Seating Cup, Type HR) (Rod Pump)



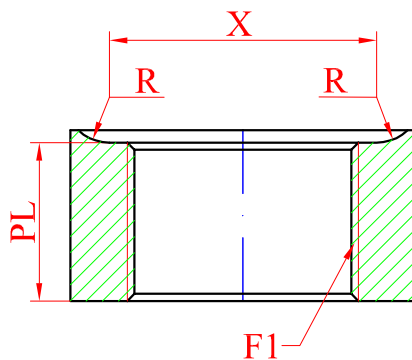
Dimensiunea	S12-20	S12-25	S12-30
ID1 ^{+0,41} _{-0,0}	35,84	46,99	59,69
ID2 ^{+0,13} _{-0,0}	30,15	39,67	50,80
OD ^{± 0,13}	45,72	58,67	71,37
L1 ^{+0,76} _{-0,38}	4,19	4,70	4,70
L2 ^{+0,76} _{-0,41}	16,66	17,48	17,48

DISTANTIER - S13 (Seating Cup Ring, (Type HR))



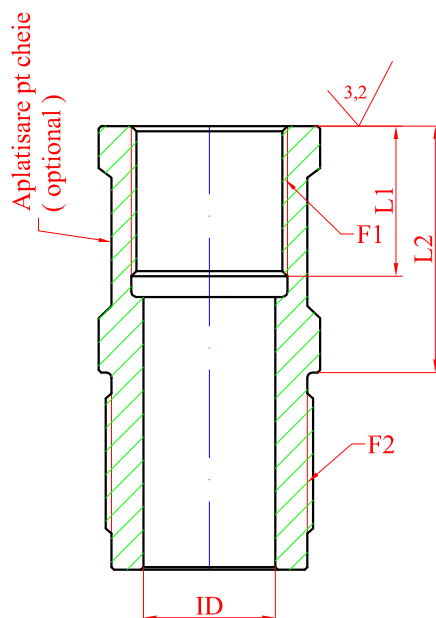
Dimensiunea	S13-20	S13-25	S13-30
ID ^{+0,15} / _{-0,0}	30,28	39,80	50,93
OD ^{+0,0} / _{-0,41}	35,71	46,84	59,54
X $\pm 0,25$	31,75	42,88	55,58
R $\pm 0,25$	6,35	7,14	7,14
L1 ^{+0,41} / _{-0,0}	23,83	28,17	29,36
L2 ^{+0,41} / _{-0,0}	17,07	17,14	17,14

DISTANTIER - S14 (Seating Cup Nut, (Type HR))



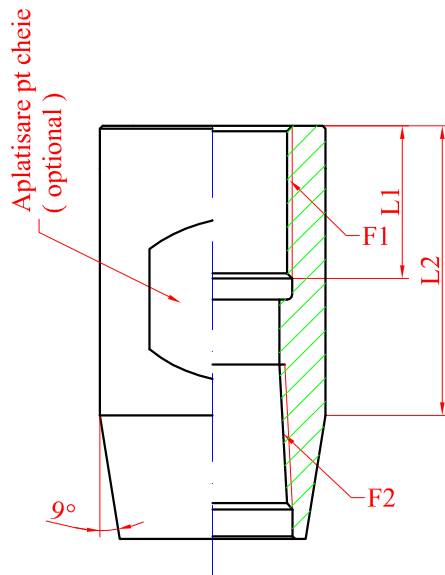
Dimensiunea	S14-20	S14-25	S14-30
F1	30,211-14 (1.1894-14)	39,634-14 (1.5604-14)	50,889-11 ½ (2.0035-11 ½)
X $\pm 0,25$	31,75	42,88	55,58
R $\pm 0,25$	6,35	7,14	7,14
PL $\pm 0,79$	25,4	28,6	31,8

REDUCTIE - S15 (Seating Cup Bushing, Top Anchor)

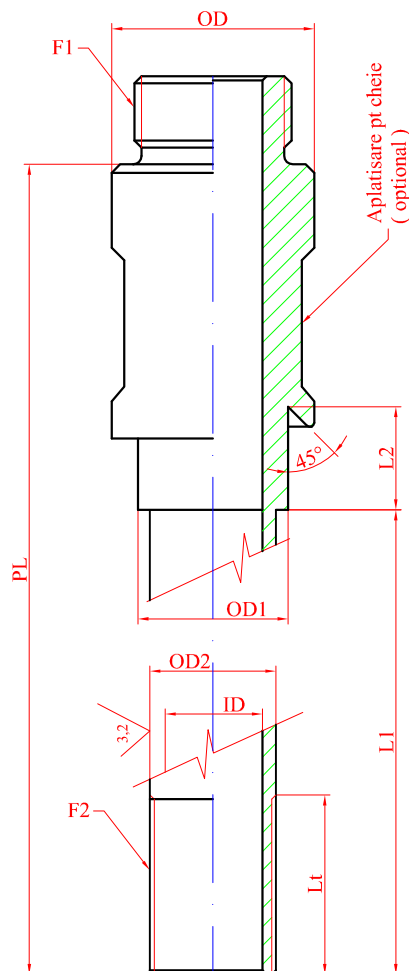


Dimensiunea	S15-20 -125	S15-20	S15-25	S15-30
F1	30,211-14 (1.1894-14)	30,211-14 (1.1894-14)	39,634-14 (1.5604-14)	50,889-11 ½ (2.035-11 ½)
F2	33,858-16 (1.3330-16)	39,954-16 (1.5730-16)	53,010-16 (2.0870-16)	65,345-16 (2.5730-16)
ID $\pm 1,59$	25,4	25,4	31,75	38,10
L1 min.	28,6	28,6	31,8	31,8
L2 $\pm 0,79$	47,6	47,6	50,8	50,8

REDUCTIE - S16 (Seating Coupling Bottom Anchor)



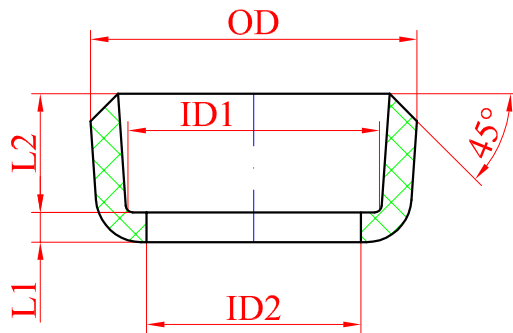
Dimensiunea	S16-20	S16-25	S16-30
F1	30,211-14 (1.1894-14)	39,634-14 (1.5604-14)	50,889-11 ½ (2.035-11 ½)
F2	LP 25,40 LP 1	LP 31,75 LP 1 1/4	LP 38,10 LP 1 1/2
L1 min.	28,6	31,8	31,8
L2 ±1,57	55,6	57,2	59,2



SUPPORT - S17 (Seating Mandrel, Cup, (Type HR) (Tubing Pump))

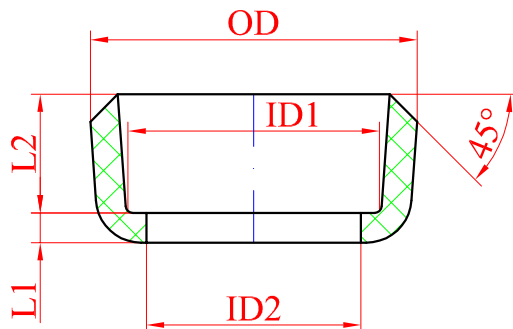
Dimensiunea	S17-20	S17-25	S17-30
F1	37,348-14 (1.4704-14)	45,781-14 (1.8024-14)	53,581-11 ½ (2.1095-11 ½)
F2	30,211-14 (1.1894-14)	39,634-14 (1.5604-14)	50,889-11 ½ (2.0035-11 ½)
ID minim	22,2	30,2	36,5
OD max.	42,9	55,6	68,3
OD1 ^{+0,0} _{-0,41}	35,71	46,84	59,54
OD2 ^{+0,0} _{-0,25}	30,15	39,67	50,80
L1 ±1,57	84,1	88,9	92,1
L2 ^{+0,16} _{-0,0}	17,07	17,86	17,86
Lt minim	57,2	60,3	60,3
PL ±1,57	165,1	173,0	173,0

CUPA - S18 (Seating Cup, Type HR) (Tubing Pump)



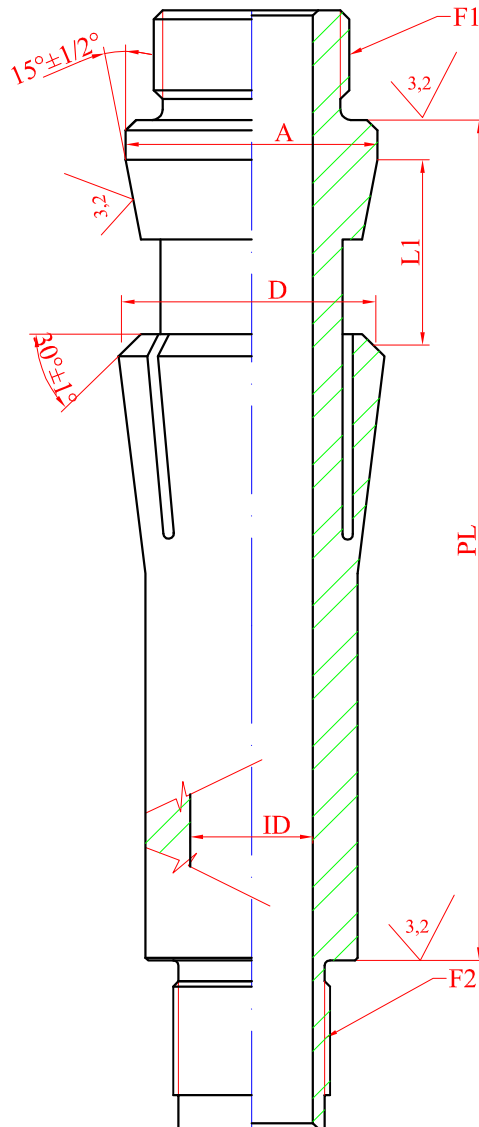
Dimensiunea	S12-20	S12-25	S12-30
ID1 ^{+0,41} _{-0,0}	35,84	46,99	59,69
ID2 ^{+0,13} _{-0,0}	30,15	39,67	50,80
OD $\pm 0,13$	43,94	56,64	69,34
L1 ^{+0,76} _{-0,38}	4,19	4,70	4,70
L2 ^{+0,0} _{-0,41}	16,66	17,48	17,48

CUPA - S19 (Seating Cup, Type HR) (Soft-Packed Tubing Pump)

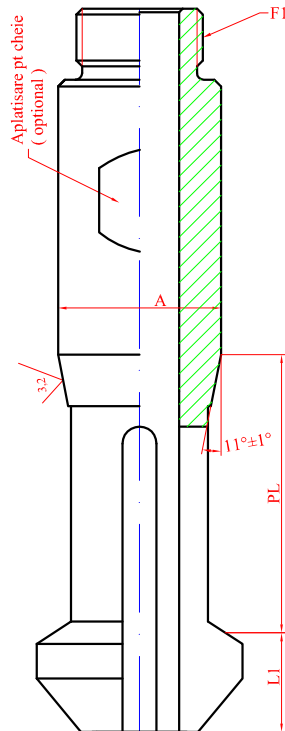


Dimensiunea	S19-25	S19-30
ID1 ^{+0,41} _{-0,0}	46,99	59,69
ID2 ^{+0,13} _{-0,0}	39,67	50,80
OD $\pm 0,13$	57,66	70,36
L1 ^{+0,76} _{-0,38}	4,70	4,70
L2 ^{+0,0} _{-0,41}	17,48	17,48

DISPOZITIV DE FIXARE - S21
(Seating Assembly, Mechanical Top Lock)



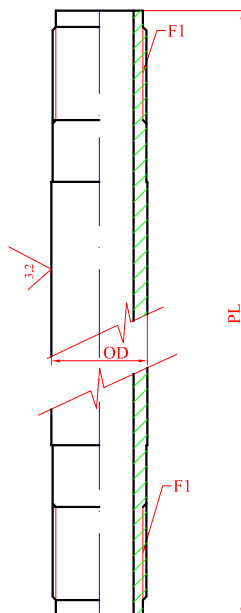
Dimensiunea	S21 - 20	S21 - 25	S21 - 30
F1	37,348-14 (1.4704-14)	45,781-14 (1.8024-14)	53,581-11 ½ (2.1095-11 ½)
F2	39,954-16 (1.5730-16)	53,010-16 (2.0870-16)	65,354-16 (2.5730-16)
A ^{+0,0} / _{-0,13}	47,63	59,54	72,24
ID ± 1,59	25,40	31,75	38,10
PL1 ^{+0,51} / _{-0,00}	23,65	22,53	22,53
PL	215,9	228,6	228,6
D ± 0,79	45,21	57,91	70,61



DISPOZITIV DE FIXARE - S22 (Seating Assembly, Mechanical Bottom Lock)

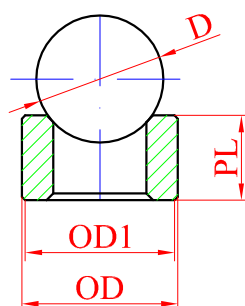
Dimensiunea	S22-15	S22-20	S22-25	S22-30	S22-40
F1	37,348-14 (1.4704-14)	37,348-14 (1.4704-14)	45,781-14 (1.8024-14)	53,581-11 ½ (2.1095-11 ½)	80,556-11 ½ (3.1715-11 ½)
A ^{+0,0} _{-0,13}	47,63	47,63	59,54	72,24	72,24
L1 ^{+0,51} _{-0,0}	23,65	23,65	22,53	22,53	22,53
PL ± 1,57	165,1	165,1	173,0	173,0	173,0

TUB - T11 (Tube, Pull)



Dimensiunea	T11-125	T11-150	T11-175	T11-200	T11-225
F1	23,813-16 (0,9375-16)	28,575-16 (1,1250-16)	33,338-16 (1,3125-16)	38,100-16 (1,5000-16)	47,625-16 (1,8750-16)
OD ^{± 0,25}	23,8	33,3	38,1	47,6	47,6
PL ± 3,18	Se va specifica de către beneficiar				

SCAUN CU BILĂ - V11 (Valve, Ball and Seat)



Dimensiunea	V11-125	V11-150	V11-175	V11-200	V11-225	V11-250	V11-375
D ± 0,13	19,05	23,83	28,58	31,75	34,93	42,88	57,15
OD1 ^{+0,0} _{-0,41}	22,66	28,22	33,81	36,09	41,43	48,79	74,93
OD ^{-0,0} _{-0,13}	23,32	29,67	35,26	37,54	43,69	51,05	78,03
PL ^{+0,51} _{-0,25}	12,70	12,70	12,70	12,70	12,70	12,70	12,70