

CONFIND

CATALOG CATALOGUE

**Pompe de adâncime Neconforme API
NON API Subsurface Sucker Rod Pumps**

EDITIA 2009

ISSUED 2009

SC CONFIND SRL CÂMPINA

Str. Progresului, nr.2, Câmpina 105600, Jud. Prahova

Tel/Fax 044 37 47 19; 044 37 37 09; 044 33 31 60;

E-mail: confind@confind.ro URL :www.confind.ro

POMPE DE ADANCIME TIP "RLAC"
" RLAC" SUBSURFACE SUCKER ROD PUMPS

Nr. Crt. NO	DENUMIRE DENOMINATION	RLAC			
		2 3/8x1 1/4 20 - 125	2 7/8x1 1/2 25 - 150	2 7/8x1 3/4 25 - 175	3 1/2x2 1/4 30 - 225
SUBANSAMBLUL CILINDRU / BARREL SUBASSEMBLY					
FIG. 1					
1.1	Manson Coupling Barrel	B23-125	B23-150	B23-175	B23-225
1.2	Manta Jacket	J11-20	J11-25	J11-25	J11-30
1.3	Camasa Liner	L11-125	L11-150	L11-175	L11-225
1.4	Manson Coupling Barrel	B23-125	B23-150	B23-175	B23-225
1.5	Colivie inferioara Cage Closed Barrel	C 14- 20	C 14- 25	C 14- 25	C 14- 30
1.6	Supapa inferioara Valve, Ball and Seat	V 11- 175	V 11- 225	V 11- 225	V 11- 250
1.7	Suport supapa inferioara Bushing, Seat, Barrel Cage	B 22 - 20	B22-25	B22-25	B22-30
SUBANSAMBLUL PISTON / PLUNGER SUBASSEMBLY					
FIG. 2					
2.1	Racord tija Bushing, Valve Rod	B 21- 20	B 21- 25	B 21- 25	B 21- 30
2.2	Tija piston Rod, Valve	R 11- 20	R 11- 25	R 11- 25	R 11- 30
2.3	Racord piston Cage, Top Plunger	C 12- 125	C 12- 150- 25	C 12- 175	C 12- 225
2.4	Piston Plunger, One Piece	P 21- 125	P 21- 150	P 21- 175	P 21- 225
2.5	Colivie piston Cage, Closed, Pin Plunger	C 13- 125	C 13- 150	C 13- 175	C 13- 225
2.6	Supapa piston Valve, Ball and Seat	V 11- 125	V 11- 150	V 11- 175	V 11- 225
2.7	Piulita piston Plug, Seat	P 12- 125	P 12- 150	P 12- 175	P 12- 225
DISPOZITIV DE FIXARE CU CUPE / FIXING CUP DEVICE SUBASSEMBLY					
FIG. 3					
3.1	Felinar Guiode, Valve Rod	G11-20	G11-25	G11-25	G11-30
3.2	Suport Seating Mandrel Cup	S 11- 20	S 11- 25	S 11- 25	S 11- 30
3.3	Cupa Seating Cup	S 12- 20	S 12- 25	S 12- 25	S 12- 30
3.4	Distantier Seating Cup Ring	S 13- 20	S 13- 25	S 13- 25	S 13- 30
3.5	Piulita Seating Cup Nut	S 14- 20	S 14- 25	S 14- 25	S 14- 30
3.6	Reductie Seating Cup Bushing	S 15- 20	S 15- 25	S 15- 25	S5- 30
3.7	Niplu Nipple, Seating, Cup Type	N 11- 20	N 11- 25	N 11- 25	N 11- 30

POMPE DE ADANCIME TIP "RLAC"
"RLAC" SUBSURFACE SUCKER ROD PUMPS

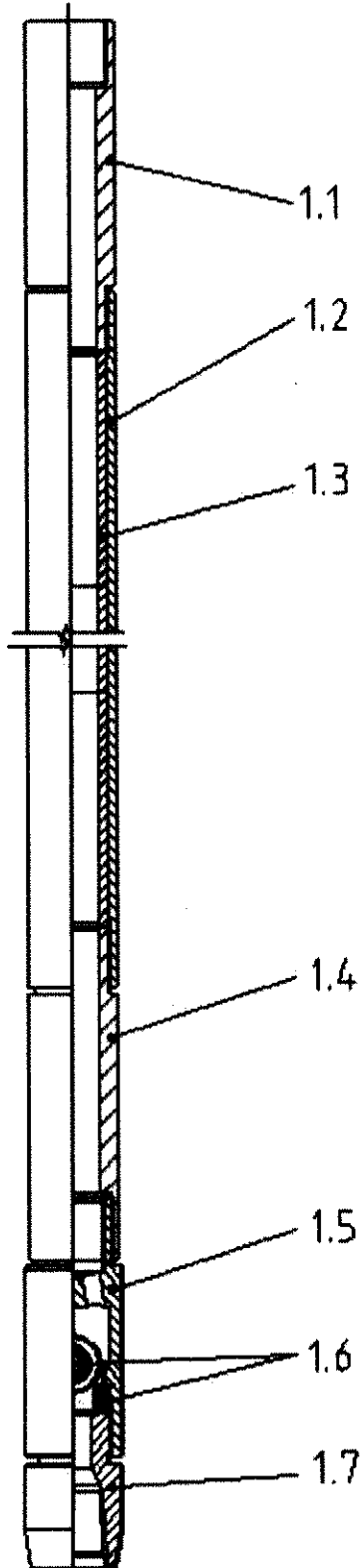


Fig. 1

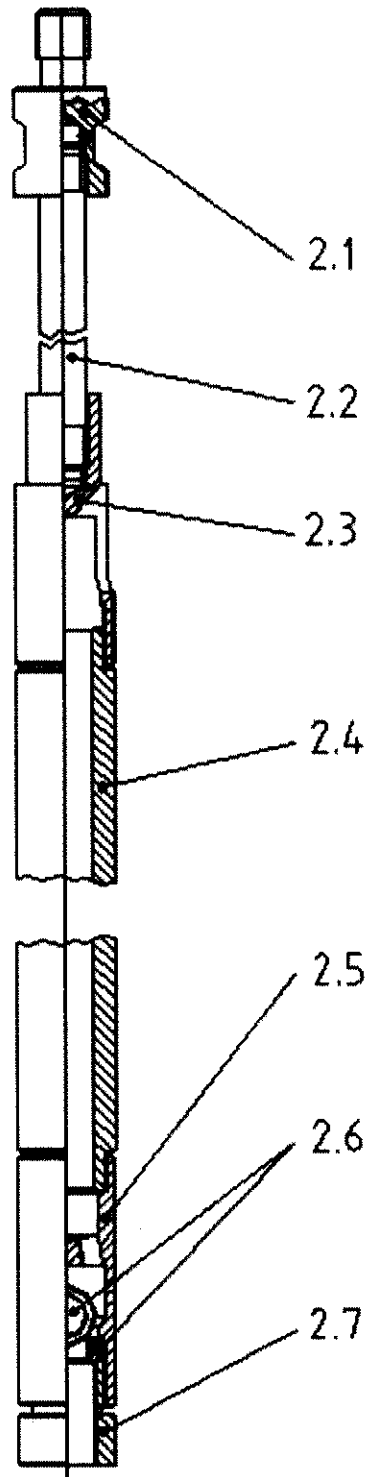


Fig. 2

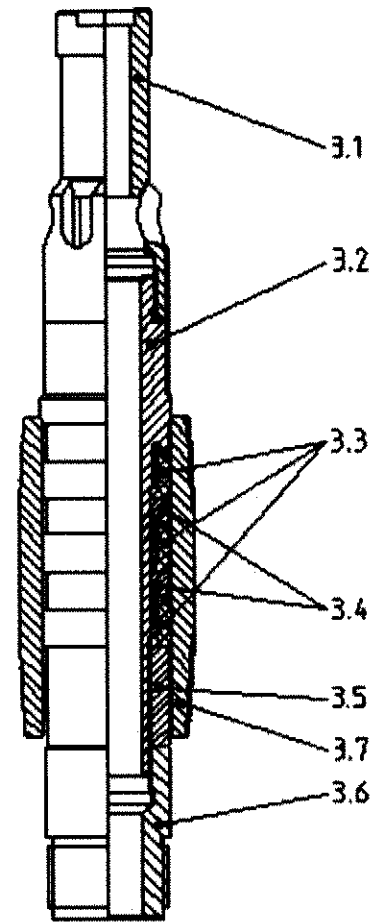


Fig. 3

POMPE DE ADANCIME TIP "RLAM"
"RLAM" SUBSURFACE SUCKER ROD PUMPS

Nr. Crt. NO	DENUMIRE DENOMINATION	RLAM			
		2 3/8x1 1/4 20 - 125	2 7/8x1 1/2 25 - 150	2 7/8x1 3/4 25 - 175	3 1/2x2 1/4 30 - 225
SUBANSAMBLUL CILINDRU CILINDRU / BARREL SUBASSEMBLY FIG. 1					
1.1	Manson Coupling Barrel	B23-125	B23-150	B23-175	B23-225
1.2	Manta Jacket	J11-20	J11-25	J11-25	J11-30
1.3	Camasa Liner	L11-125	L11-150	L11-175	L11-225
1.4	Manson Coupling Barrel	B23-125	B23-150	B23-175	B23-225
1.5	Colivie inferioara Cage Closed Barrel	C 14- 20	C 14- 25	C 14- 25	C 14- 30
1.6	Supapa inferioara Valve, Ball and Seat	V 11- 175	V 11- 225	V 11- 225	V 11- 250
1.7	Suport supapa inferioara Bushing, Seat, Barrel Cage	B 22 - 20	B22-25	B22-25	B22-30
SUBANSAMBLUL PISTON / PLUNGER SUBASSEMBLY FIG. 2					
2.1	Racord tija Bushing, Valve Rod	B 21- 20	B 21- 25	B 21- 25	B 21- 30
2.2	Tija piston Rod, Valve	R 11- 20	R 11- 25	R 11- 25	R 11- 30
2.3	Racord piston Cage, Top Plunger	C 12- 125	C 12- 150- 25	C 12- 175	C 12- 225
2.4	Piston Plunger, One Piece	P 21- 125	P 21- 150	P 21- 175	P 21- 225
2.5	Colivie piston Cage, Closed, Pin Plunger	C 13- 125	C 13- 150	C 13- 175	C 13- 225
2.6	Supapa piston Valve, Ball and Seat	V 11- 125	V 11- 150	V 11- 175	V 11- 225
2.7	Piulita Piston Plug, Seat	P 12- 125	P 12- 150	P 12- 175	P 12- 225
DISPOZITIV DE FIXARE MECANIC/ FIXING MECHANICAL DEVICE SUBASSEMBLY FIG. 3					
3.1	Felinar Guide, Valve Rod	G11-20	G11-25	G11-25	G11-30
3.2	Dispozitiv de fixare mecanic Fixing Mechanical Device	S 21- 20	S 21- 25	S 21- 25	S 21- 30
3.2.1	Support Mandrel	Repere necodificate API care se pot comanda la CONFIND ca elemente ale dispozitivului conform codului API NON API parts that can be ordered at CONFIND			
3.2.2	Inel opritor Fixing Ring				
3.2.3	Ancora Anchor				
3.2.4	Piulita Nut				
3.2.5	Reductie Coupling				
3.3	Niplu de fixare Nipple Standing, Mechanical Top Lock	N 14- 20	N 14- 25	N 14- 25	N 14- 30
3.3.1	Reductie Upper Coupling	Repere necodificate API care se pot comanda la CONFIND ca elemente ale dispozitivului conform codului API NON API parts that can be ordered at CONFIND			
3.3.2	Inel scaun Seat Ring				
3.3.3	Reductie inferioara Lower Coupling				

POMPE DE ADANCIME TIP "RLAM"
"RLAM" SUBSURFACE SUCKER ROD PUMPS

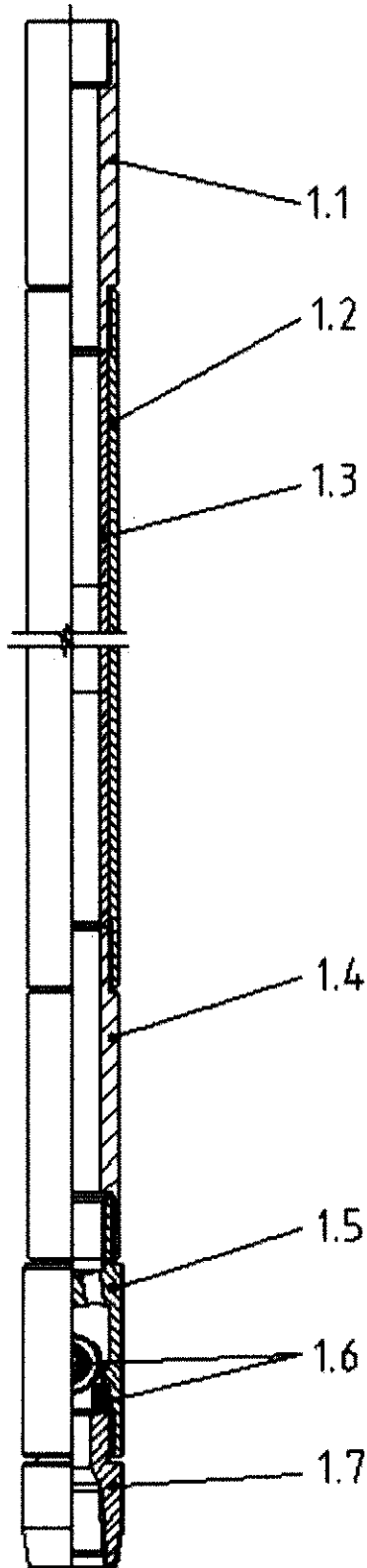


Fig. 1

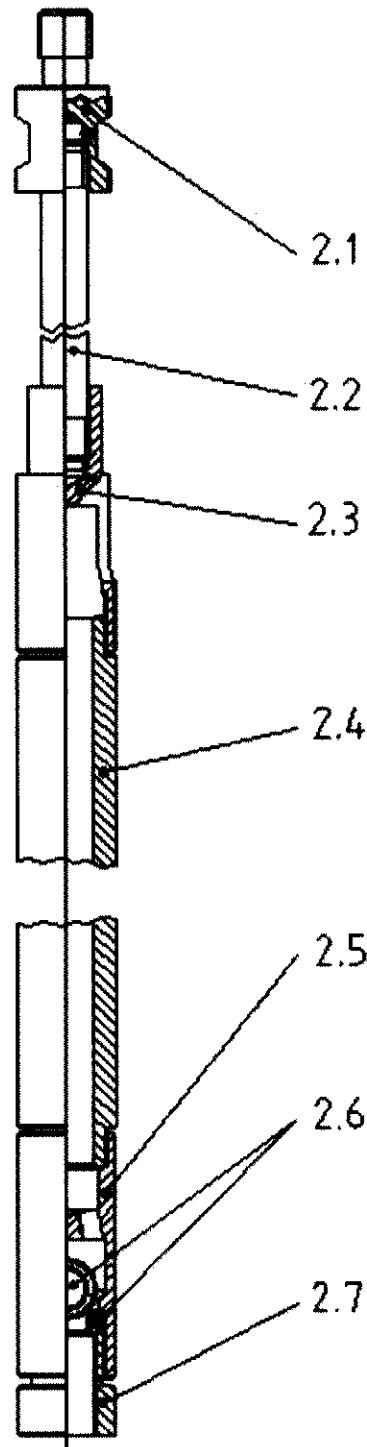


Fig. 2

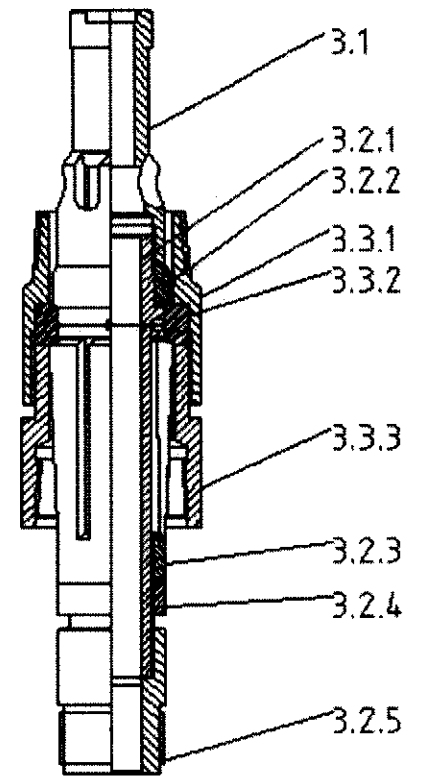


Fig. 3

POMPE DE ADANCIME TIP "RLTC"
" RLTC" SUBSURFACE SUCKER ROD PUMPS

POZ NO	COMPONENTA DENOMINATION	STANDARD RLTC PUMPS			
		2 3/8x1 1/4 20 – 125 RLTC	2 7/8x1 1/2 25 – 150 RLTC	2 7/8x1 3/4 25 – 175 RLTC	3 1/2x2 1/4 30 – 225 RLTC
ANSAMBLU CILINDRU MOBIL / BARREL SUBASSEMBLY					
FIG. 1					
1.1	Racord Cage, Top open	C11-20	C11-25	C11-25	C11-30
1.2	Reductie Cilindru Connector, Upper Barrel	C21-20	C21-25	C21-25	C21-30
1.3	Manson Bushing, jacket	B23-125	B23-150	B23-175	B23-225
1.4	Manta Jacket, liner	J11-20	J11-25	J11-25	J11-30
1.5	Camasa Liner, Sectional	L11-125	L11-150	L11-175	L11-225
1.6	Supapa mobile Valve, Seat & Ball (Traveling)	V11-175	V11-225	V11-225	V11-250
1.7	Piulita Plug, Pull	P11-125	P11-150	P11-175	P11-225
ANSAMBLUL PISTON / PLUNGER SUBASSEMBLY					
FIG.2					
2.1	Racord Piston Cage, top plunger	C 12- 125	C 12- 125- 25	C 12- 175	C 12- 225
2.2	Piston Plunger	P 21- 125	P 21- 150	P 21- 175	P 21- 225
2.3	Coupling, Pull Tube, Upper	C32-125	C32-150	C32-175	C32-225
2.4	Tub Tube, Pull	T11-125	T11-150	T11-175	T11-225
2.5	Reductie Coupling, Pull Tube, lower	C33-125	C33-150	C33-175	C33-225
2.6	Supapa Fixa Valve, seat & ball (Standing)	V 11- 125	V 11- 150	V 11- 175	V 11- 225
DISPOZITIVUL DE FIXARE CU CUPE / FIXING CUP DEVICE SUBASSEMBLY					
FIG. 3					
3.1	Suport Seating mandrel	S 11- 20	S 11- 25	S 11- 25	S 11- 30
3.2	Cupa Seating cup	S 12- 20	S 12- 25	S 12- 25	S 12- 30
3.3	Distantier Seating cup ring	S 13- 20	S 13- 25	S 13- 25	S 13- 30
3.4	Piulita Seating cup nut	S 14- 20	S 14- 25	S 14- 25	S 14- 30
3.5	Niplu de fixare Nipple, seating, cup-type	N 11- 20	N 11- 25	N 11- 25	N 11- 30
3.6	Reductie Seating cup coupling	S 16- 20	S 16- 25	S 16- 25	S 16- 30

POMPE DE ADANCIME TIP "RLTC"
" RLTC" SUBSURFACE SUCKER ROD PUMPS

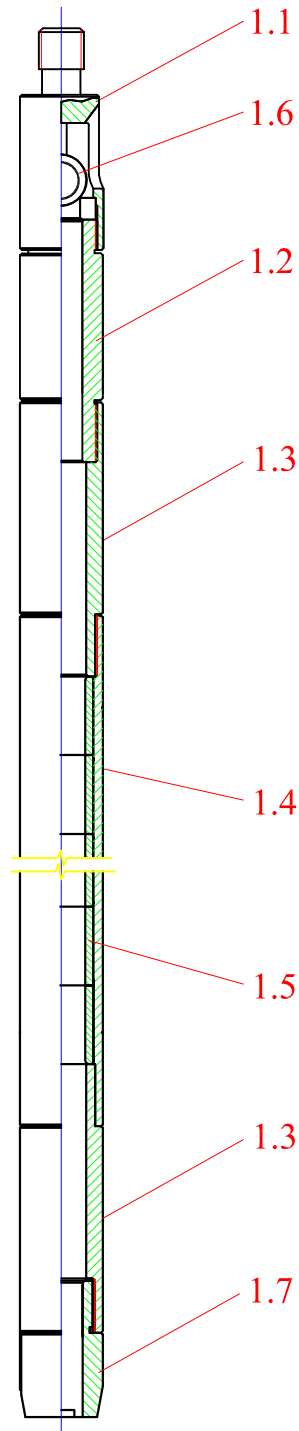


FIG. 1

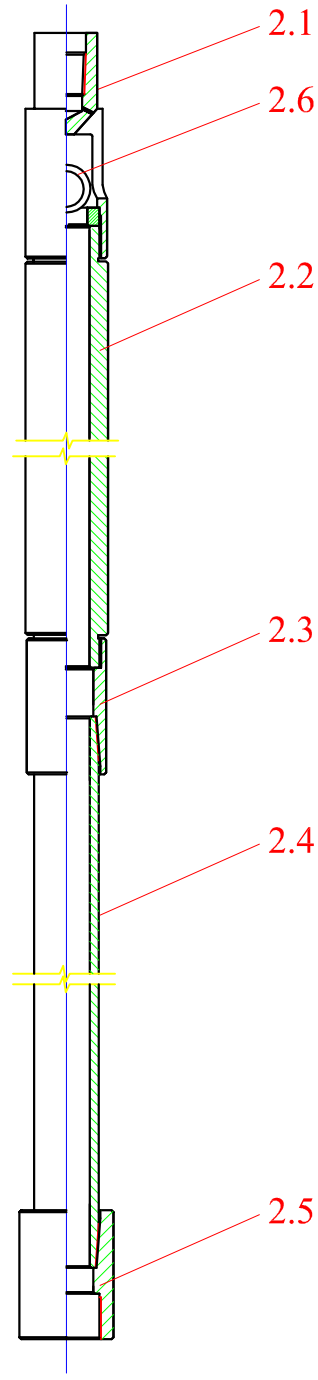


FIG. 2

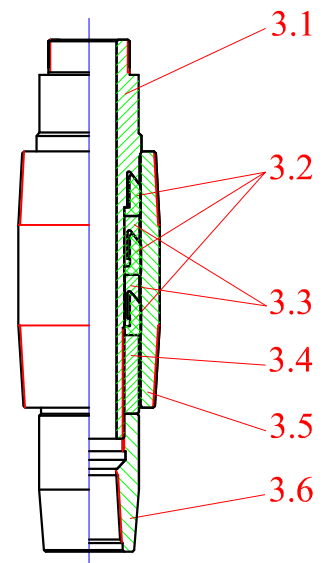


FIG. 3

POMPE DE ADANCIME TIP "TLC"
" TLC" SUBSURFACE SUCKER ROD PUMPS

Nr. Crt. NO	DENUMIRE DENOMINATION	TLC		
		2 3/8x1 3/4 20 - 175	2 7/8x2 1/4 25 - 225	3 1/2x2 3/4 30 - 275
SUBANSAMBLUL CILINDRU / BARREL SUBASSAMBL Y FIG. 1				
1	Mufa Coupling, Tubing	C34-20	C34-25	C34-30
2	Niplu Nipple, Extension, Upper	N21-20	N21-25	N21-30
3	Mufa Coupling	B24-20	B24-25	B24-30
4.1	Manta Jacket	J12-20	J12-25	J12-30
4.2	Camasa Liner	L21-175	L21-225	L21-275
5	Niplu Nipple, Extension, Lower	N22-20	N22-25	N22-30
6	Niplu Fixare Nipple, Seating, 2 Cup Type	N13-20	N13-25	N13-30
SUBANSAMBLUL PISTON / PLUNGER SUBASSAMBL Y FIG. 2				
7	Racord Cage, Top Open	C11-20	C11-25	C11-30
8	Supapa superioara / inferioara piston Valve, Ball and Seat	V11-175	V11-225	V11-250
9	Piston Plunger	P21-175	P21-225	P21-275
10	Colivia piston Cage, Closed, Pin Plunger	C13-175	C13-225	C13-275
11	Supapa superioara / inferioara piston Valve, Ball and Seat	V11-175	V11-225	V11-250
13.2	Extractor Baioneta Puller Standing Valve	P31B-20-1	P31B -25-1	P31B -30-1
DISPOZITIV DE FIXARE CU CUPE / FIXING CUP DEVICE SUBASSEMBLY FIG. 3				
14	Colivie Inferioara Cage, Standing Valve	C16-175	C16-225	C16-275
15	Supapa Inferioara Valve, Ball and Seat	V11-175	V11-225	V11-250
16.1	Cep Extractor Puller Standing Valve	P31B-20-2	P31B -25-2	P31B -30-2
17	Suport Seating Mandrel Cup	S17-20	S17-25	S17-30
18	Cupa Seating Cup	S18-20	S18-25	S18-30
19	Distantier Seating Cup Ring	S13-20	S13-25	S13-30
20	Piulita Seating Cup Nut	S14-20	S14-25	S14-30
21	Reductie Seating Cup Bushing	S15-20	S15-25	S15-30

POMPE DE ADANCIME TIP "TLC"
"TLC" SUBSURFACE SUCKER ROD PUMPS

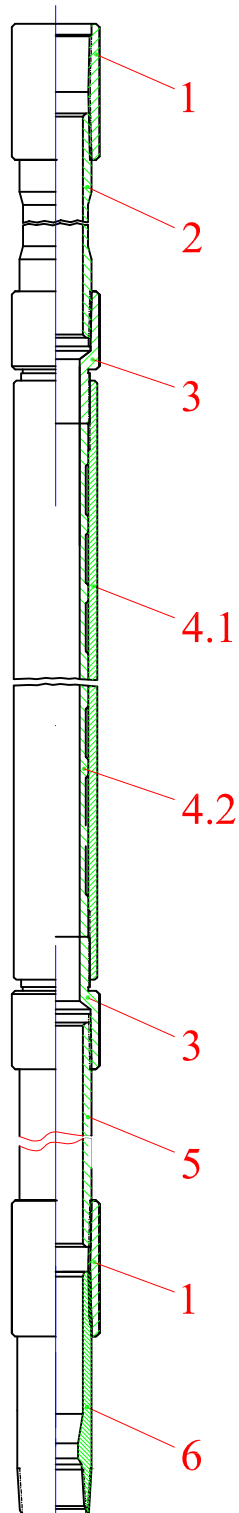


FIG. 1

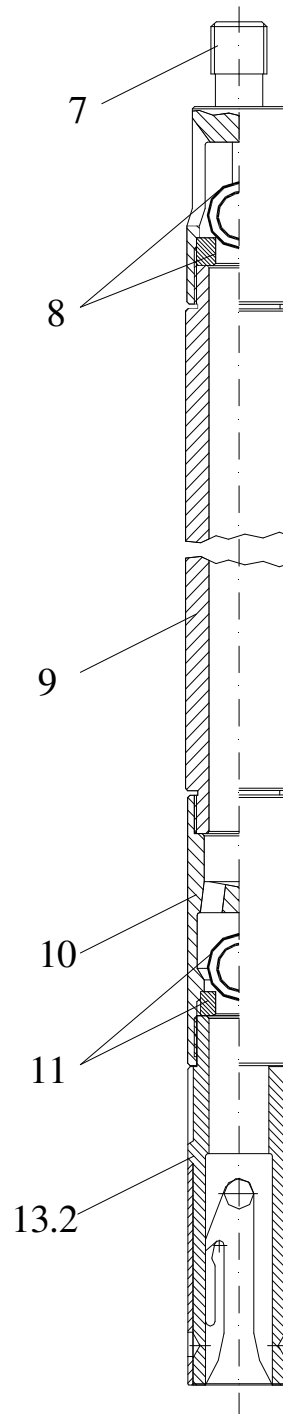


FIG. 2

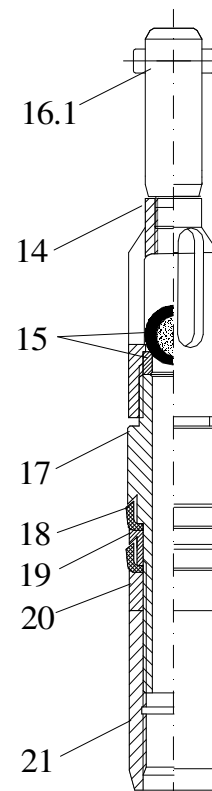


FIG. 3