

S.C. CONFIND S.R.L.

Workover rig 40 tF with mast

PARTS CATALOG

 S.C. CONFIND S.R.L. Câmpina	WORKOVER RIG 40 tF WITH MAST PARTS CATALOG	Code: P3668-CP.E	Date: June 2012
		Sheet:2	Rev.: 0

Table of Contents

1. WORKOVER RIG 40 tF WITH MAST – P: 3668-00	3
2. Cardanic transmission: P3376-12.00 MAN	9
3. Bevel gear : P3376-10.00	10
3.1. Input shaft: P3376-10.03.0	13
3.2. Output shaft: P3376-10.04.0	16
4. Chain transmission: P3376-11.00	19
5. Drawworks: P3668.08-00.00.00.0	22
5.1. Hoisting drum: P3668.08-02.00.00.0	25
5.2. Hoisting drum brake system: P3376.08-03.00.00.0	31
5.3. Shoe band brake: P3376.08-03.03.00.0	34
6. Traveling & hook block assy.: P3376-07.00.00.0	36
6.1. Hook: P3376-07.01.00	40
6.2. Index: P3376-07.14.00	41
7. Crown block: P3376-06-00	43
7.1. 2 pulleys assy.: P3376-06-01-00	46
7.2. 1 pulley assy.: P3376-06-02-00	48
7.3. Crown block table assy : P3376-06-04-00	50
7.4. Pulley assy. No. 2: P3376-06-05-00	52
7.5. Pulley assy. No. 1: P3376-06-22-00	54
7.6. Pulley assy. No. 3: P3376-06-23-00	56
7.7. Centralized greasing system: P3376-06-11-00	58
8. Cooling system: P3668-38.00A	60
8.1. Drawworks cooling assy.: P3376-38.40.00	63
8.2. Fan drive: P3376-38.40.05	65
8.3. Water pump drive: P3376-38.40.13.00	67
9. Tools container: P3668-28.00	69
10. Electronic Equipment for Measurement and recording EMIX –AM-100	71
11. Motor parameters indicating panel and manual shifting gear module	72
12. Parts Catalog for CAT C9 ACERT and TH 31 E 61A	73



S.C. CONFIND S.R.L.
Câmpina

WORKOVER RIG
40 tF WITH MAST
PARTS CATALOG

Code:
P3668-CP.E

Date:
June 2012

Sheet:3

Rev.: 0

1. WORKOVER RIG TRUCK MOUNTED WITH MAST AM 12/40 TYPE – P: 3668-00

Item	Denomination	Drawing No. or Standard	Material	Qty.
1	37300 VFA Carrier	Specif. 923.0018	-	1
2	Basically frame	P3668-02.00	-	1
3	MU-65 Foldable mast	P3668-03.00	-	1
4	Fixed section – AM 12/40	P3668-04.00	-	1
5	Gin pole	P3668-05.00.00	-	1
6	Crown block assy.	P3668-06	-	1
7	3.22.560MC-65 Travelin & hook block assy.	P3376-07.00.00	-	1
8	T1T-10 Drawworks	P3668.08-00.00.00.0	-	1
9	Braking system for the drum	P3668-09.00	-	1
10	Bevel gear	P3376-10.00	-	1
11	Chain transmission	P3668-11.00	-	1
12	Cardanic transmission	P3376-12.00MAN	-	1
13	Multi-section hydraulic cylinder fixture	P3668-13.00	-	1
14	Hydraulic folding cylinder fixture	P3668-14.00	-	1
15	Leveling up hydraulic jack fixture	P3668-15.00	-	1
16	Fixed section support jack fixture	P3668-16.00	-	1
17	Foldable working platform	P3896-17.00	-	1
18	Chief driller's controls console	P3668-18.00	-	1
19	Chief driller's platform	P3668-19.00	-	1
20	Lighting system for: mast, foldable working platform and carrier	P3668-20.00	-	1
21	Electric system for controlling, signaling and protecting parameters for CAT engine	P3668-21.00	-	1
22	Hydrostatic system - AM 12/40	P3668-22.00	-	1

SC CONFIND SRL

Adresa : 105600, Câmpina, str. Progresului, nr. 2, jud. Prahova, Romania
Tel/Fax : 0244333160 / 0244374719 ; E-mail : confind@confind.ro



S.C. CONFIND S.R.L.
Câmpina

WORKOVER RIG
40 tF WITH MAST
PARTS CATALOG

Code:
P3668-CP.E

Date:
June 2012

Sheet:4

Rev.: 0

23	Pneumatically system – AM 12/40	P3668-23.00	-	1
24	Wire rope 7/8-6x31 WS FC class 6x36 grade EEIP (347 kN) -123m	API 9A	-	1
25				
26	Fixture on basically frame	P3668-26.00	-	1
27	Guards and connection elements	P3668-27.00	-	1
28	Tools container	P3668-28.00	-	1
29	Measurement and recording the cable load fixture	P3376-29.00	-	1
30	Power tong and spider elevator fixture	P3668-30.00	-	1
31	Hydraulic winch fixture	P3376-31.00	-	1
32	Hydraulic cylinder for power tong	P3376-32.00	-	1
33	Mast locking device	P3668-33.00	-	1
34	Enforced anchors	P3668-34.00	-	1
35				
36	IKAR anti-falling device	art.112	-	1
37	Leveling up support	P3376-37.00.00	-	1
38	Brake cooling system	P3668-38.00 A	-	1
39	Safety belt	EH 16	-	1
40				
41	Carbine	EC 12.3	-	1
42	Extinguisher fixture	P3376-44.00	-	1
43				
44	C9 ACERT, TH31-E 61A Power package	Caterpillar	-	1
45	Name plate	P3668-45	inox stainless steel	1
46	Auto registration name plate	P3668-46	inox stainless	1

SC CONFIND SRL

Adresa : 105600, Câmpina, str. Progresului, nr. 2, jud. Prahova, Romania
Tel/Fax : 0244333160 / 0244374719 ; E-mail : confind@confind.ro



S.C. CONFIND S.R.L.
Câmpina

WORKOVER RIG
40 tF WITH MAST
PARTS CATALOG

Code:
P3668-CP.E

Date:
June 2012

Sheet:5

Rev.: 0

			steel	
47	Electronic equipment for measurement and recording the cable load and fuel consumption EMIX-AM-100	P3668-47.00	-	1
48	Access stair case for tools container	P3668-48.00	-	1
49				
50	Auto gauge electric signaling system	P3668-50.00	-	1
51	Reflective adhesive tape	P3668-51	-	1
52	Carrier reflective plate		-	1
53	CONFIND brand label		-	1
54	Water hand level		-	1
55	Leveling plate	P3376-37.02.00	-	2
56	G173 – MAN Main distribution box		-	1
57	Pneumatic spider elevator 2 3/8-3 1/2 x 65 tons	P3675-00	-	1
58	Tubing power tong	XYQ3C-China	-	1
59	Lock mechanism device for power tong	P3482-00	-	1

SC CONFIND SRL

Adresa : 105600, Câmpina, str. Progresului, nr. 2, jud. Prahova, Romania
Tel/Fax : 0244333160 / 0244374719 ; E-mail : confind@confind.ro



S.C. CONFIND S.R.L.
Câmpina

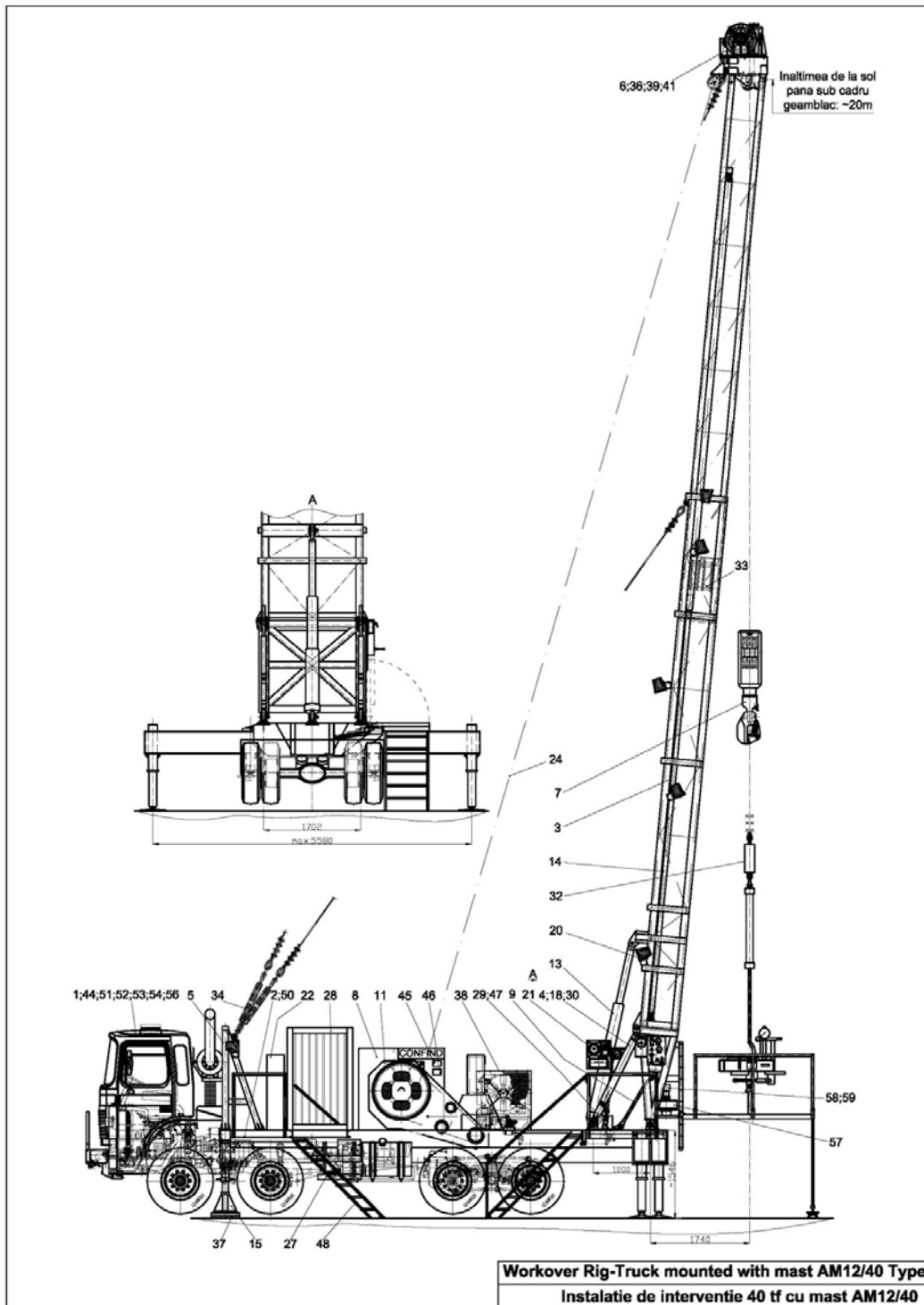
WORKOVER RIG
40 tF WITH MAST
PARTS CATALOG

Code:
P3668-CP.E

Date:
June 2012

Sheet:6

Rev.: 0



SC CONFIND SRL

Adresa : 105600, Câmpina, str. Progresului, nr. 2, jud. Prahova, Romania
Tel/Fax : 0244333160 / 0244374719 ; E-mail : confind@confind.ro



S.C. CONFIND S.R.L.
Câmpina

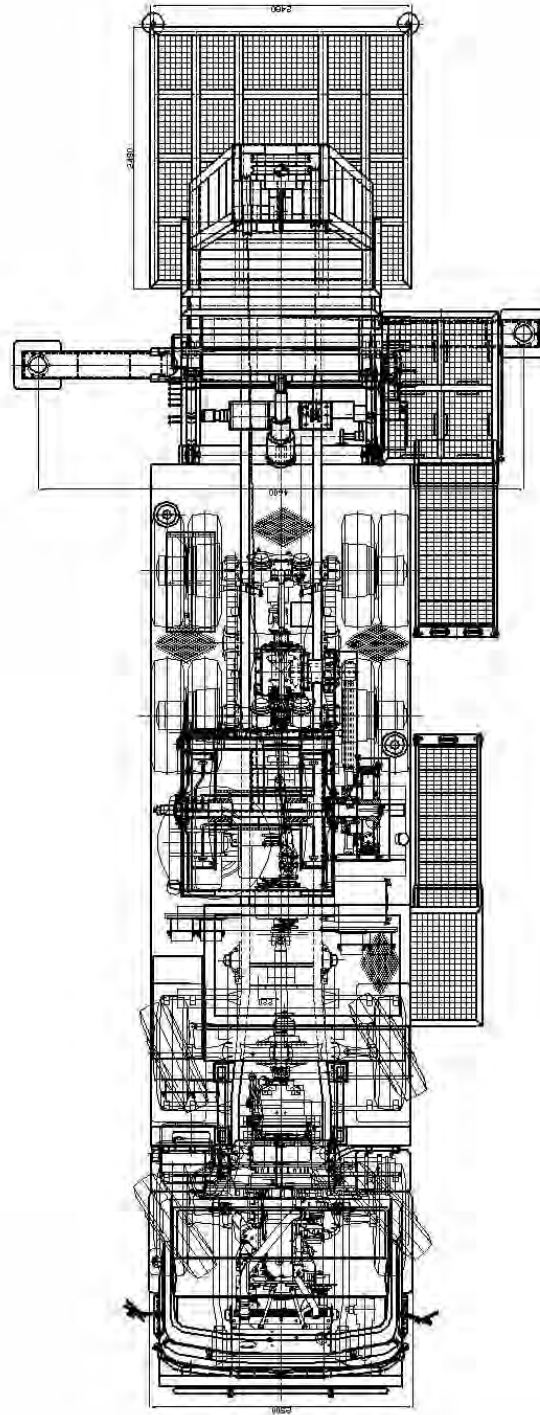
WORKOVER RIG
40 tF WITH MAST
PARTS CATALOG

Code:
P3668-CP.E

Date:
June 2012

Sheet:7

Rev.: 0



Workover Rig- Truck mounted with mast AM12/40A Type 3/3



S.C. CONFIND S.R.L.
Câmpina

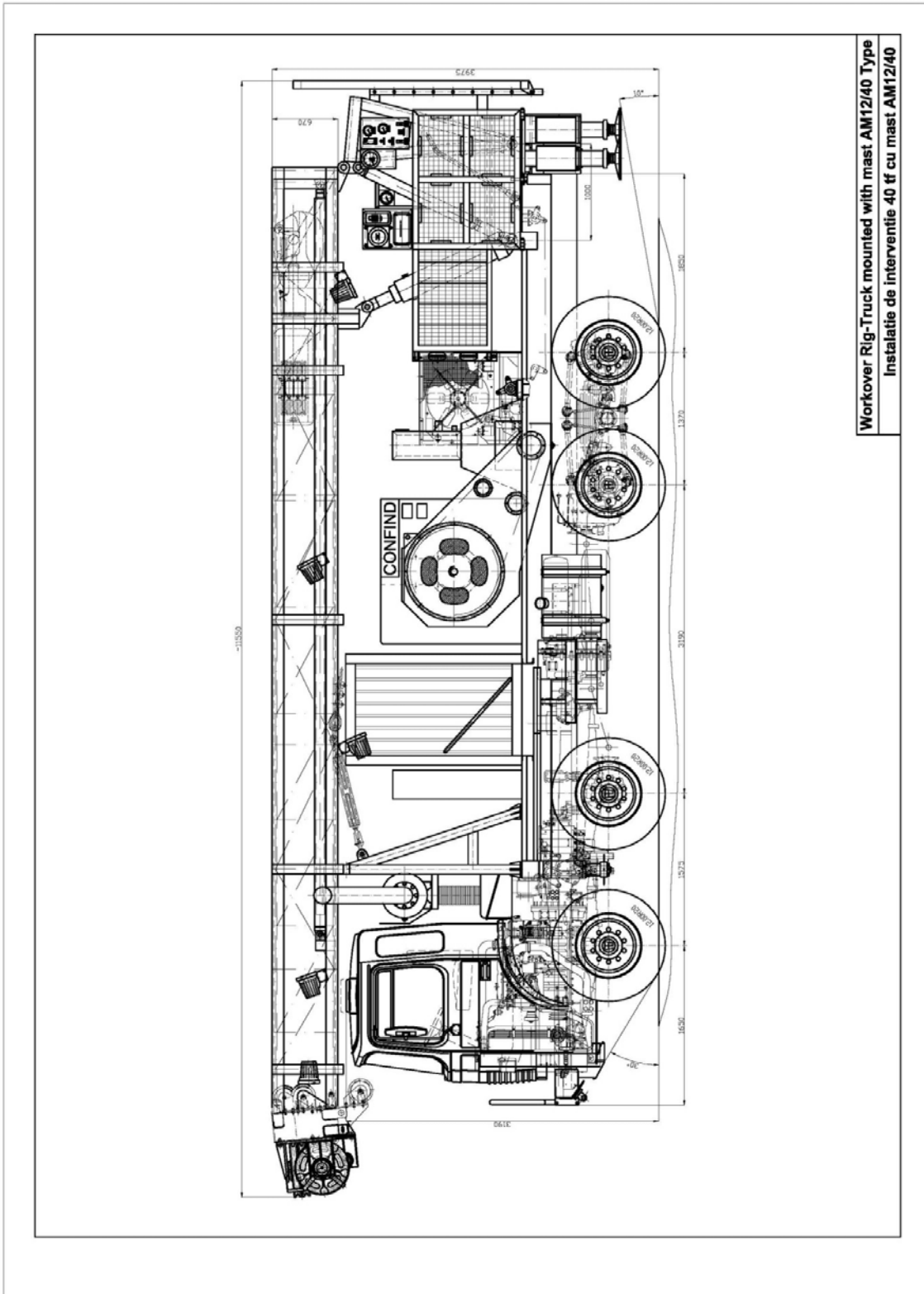
WORKOVER RIG
40 tf WITH MAST
PARTS CATALOG

Code:
P3668-CP.E

Date:
June 2012

Sheet:8

Rev.: 0



Workover Rig-Truck mounted with mast AM12/40 Type
Instalatie de interventie 40 tf cu mast AM12/40

SC CONFIND SRL

Adresa : 105600, Câmpina, str. Progresului, nr. 2, jud. Prahova, Romania
Tel/Fax : 0244333160 / 0244374719 ; E-mail : confind@confind.ro



S.C. CONFIND S.R.L.
Câmpina

WORKOVER RIG
40 tF WITH MAST
PARTS CATALOG

Code:
P3668-CP.E

Date:
June 2012

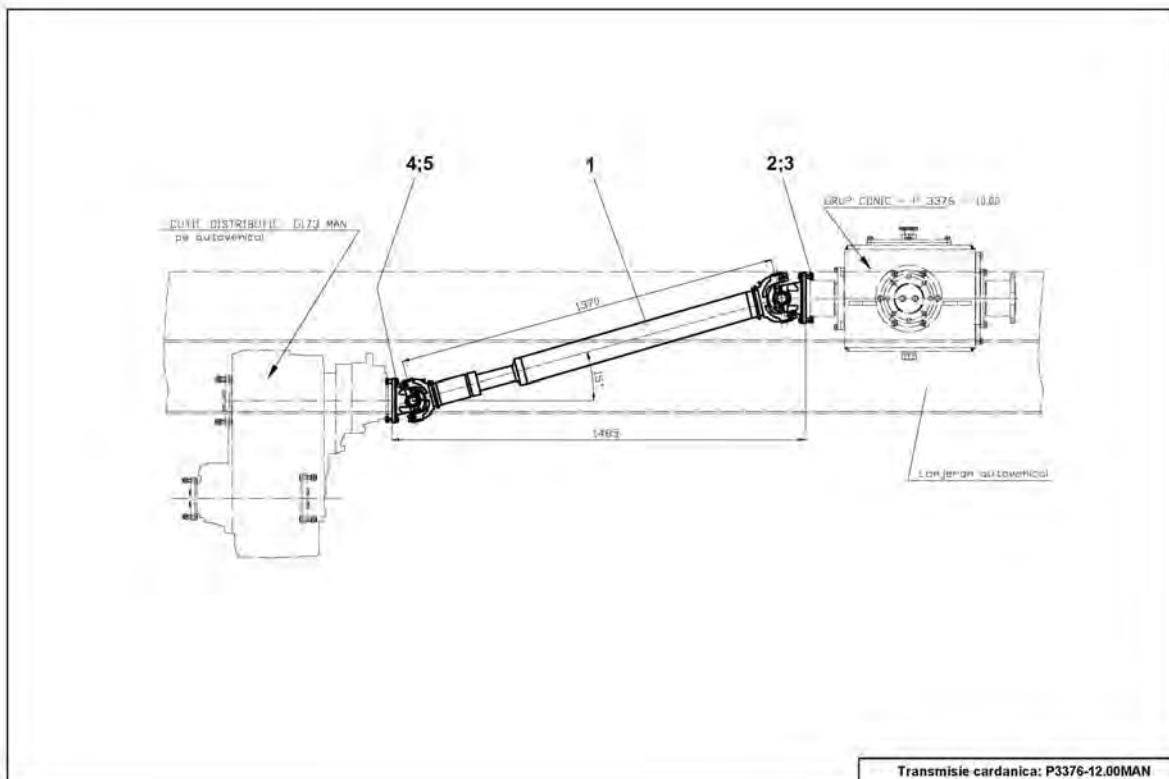
Sheet:9

Rev.: 0

2. Cardanic transmission: P3376-12.00 MAN

Item	Denomination	Drawing No. or Standard	Material	Qty.
1	Cardanic shaft, Lz=1485 with FLM KW155/4-12 – Compa SIBIU	89391056949	-	1
2	Screw M16x1,5x50	DIN 609	gr.10.9	8
3	Nut M16x1,5	DIN 980	gr.10	8
4	Screw M12x1,5x50	DIN 609	gr.10.9	4
5	Nut M12x1,5	DIN 980	gr.10	4

BEWARE!
Screw torque: 29daNm



SC CONFIND SRL

Adresa : 105600, Câmpina, str. Progresului, nr. 2, jud. Prahova, Romania
Tel/Fax : 0244333160 / 0244374719 ; E-mail : confind@confind.ro

 S.C. CONFIND S.R.L. Câmpina	WORKOVER RIG 40 tF WITH MAST PARTS CATALOG	Code: P3668-CP.E	Date: June 2012
		Sheet:10	Rev.: 0

3. Bevel gear : P3376-10.00

Item	Denomination	Drawing No. or Standard	Material	Qty.
1	Input case	P3376-10.01.0	- -	1
2	Output case	P3376-10.02.0	- -	1
3	Input shaft	P3376-10.03.0	- -	1
4	Output shaft	P3376-10.04.0	- -	1
5	Case cover	P3376-10.05	- -	1
6	Cover gasket	P3376-10.06	- -	1
7	Airing nipple	GCA.01-00.00.07.0	- -	1
8	„O” ring	GCA.01-00.00.06.0	cauciuc rubber	1
9	Adjustment ring	P3376-10.09	- -	1
10	Level indicator	GCA.01-00.10.00.0	- -	1
11	Oil wall	P3376-10.11	S235JR -	1
12	Wire $\phi 2$ - 0,4 m	-	S235JR	1
13	Add	GCA.01-00.00.13.0	S235JR	6
14	Add	GCA.01-00.00.14.0	S235JR	6
15	Plug M30x1,5	GCA.01-00.00.15.0	S235JR	2
16	Gasket	GCA.01-00.00.16.0	Cu99,9	2
17				
18	Screw M10x20-Zn	DIN 933	gr.8.8	2
19	Retaining washer A10 - Zn	DIN 127	-	2
20	Screw M16x60 - Zn	DIN 933	gr.8.8	8
21	Retaining washer A16 - Zn	DIN 127	-	8
22	„O” ring 3,55x282	-	NBR	1
23	Screw M16x1,5x70	DIN 961	gr.10.9	6

SC CONFIND SRL	Adresa : 105600, Câmpina, str. Progresului, nr. 2, jud. Prahova, Romania Tel/Fax : 0244333160 / 0244374719 ; E-mail : confind@confind.ro
----------------	---



S.C. CONFIND S.R.L.
Câmpina

WORKOVER RIG
40 tF WITH MAST
PARTS CATALOG

Code:
P3668-CP.E

Date:
June 2012

Sheet:11

Rev.: 0

24	Nut M16x1,5	DIN 934	gr.10.9	12
25	NORDLOCK washer 16		-	6
26	Washer A16	DIN 125	-	6
27	Gasket	P3376-10.27	Marsit FA-A2 Marsit FA-A2	1

SC CONFIND SRL

Adresa : 105600, Câmpina, str. Progresului, nr. 2, jud. Prahova, Romania
Tel/Fax : 0244333160 / 0244374719 ; E-mail : confind@confind.ro



S.C. CONFIND S.R.L.
Câmpina

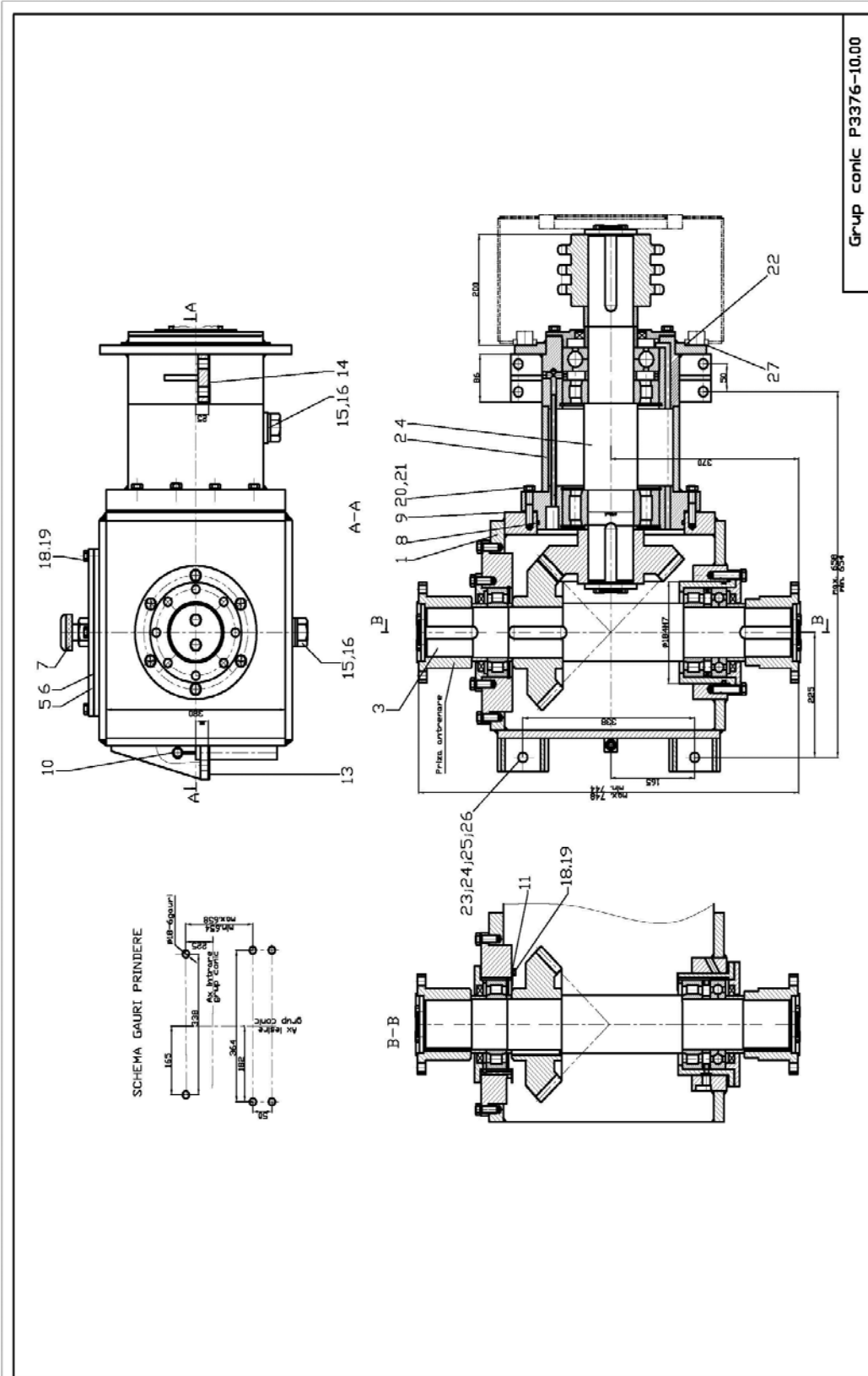
WORKOVER RIG
40 tF WITH MAST
PARTS CATALOG

Code:
P3668-CP.E

Date:
June 2012

Sheet:12

Rev.: 0





S.C. CONFIND S.R.L.
Câmpina

WORKOVER RIG
40 tF WITH MAST
PARTS CATALOG

Code:
P3668-CP.E

Date:
June 2012

Sheet:13

Rev.: 0

3.1. INPUT SHAFT: P3376-10.03.0

Item	Denomination	Drawing No. or Standard	Material	Qty.
1	Input shaft	P3376-10.03.1	42MoCr11	1
2	Bevel pinion	P3376-10.03.2	18MoCr10	1
3	Bearing housing	P3376-10.03.3.0	-	1
4	Bearings box (case)	P3376-10.03.4	C45E	1
5	Flange hub	GCA.01-02.00.04	C45E	2
6	Cover 1	P3376-10.03.6	S235JR	1
7	Cover 2	P3376-10.03.7	S235JR	1
8	Spacer 1	P3376-10.03.8	C45E	1
9	Spacer 2	P3376-10.03.9	C45E	1
10	Spacer 3	P3376-10.03.10	S235JR	1
11	Oil bushing	P3376-10.03.11	S235JR	1
12	Spacer ring	P3376-10.03.12	S235JR	1
13	Gasket	P3376-10.03.13	Marsit FA-A2 Marsit FA-A2	1
14	Gasket	P3376-10.03.14	Marsit FA-A2 Marsit FA-A2	1
15	Adjustment ring	P3376-10.03.15	S235JR	1
16	Gasket	P3376-10.03.16	Marsit FA-A2 Marsit FA-A2	1
17	Wedge 22x22x90	GCA.01-02.00.08.0	C45E	3
18	NU 2218 EMA bearing ($\phi 90 \times \phi 160 - 40$)	SR 3043	SKF/FAG/ TIMKEN	2
19	QJ 218 MPA bearing ($\phi 90 \times \phi 160 - 30$)	SR 7416	SKF/FAG/ TIMKEN	1
20	End cover	GCA.01-02.00.11.0	S355J2	2
21	Sleeve A105x140x12	STAS 7950	-	2
22	Screw M12x60 - Zn	DIN 933	gr.8.8	6
23	Screw M12x35 - Zn	DIN 933	gr.8.8	16

SC CONFIND SRL

Adresa : 105600, Câmpina, str. Progresului, nr. 2, jud. Prahova, Romania
Tel/Fax : 0244333160 / 0244374719 ; E-mail : confind@confind.ro



S.C. CONFIND S.R.L.
Câmpina

WORKOVER RIG
40 tF WITH MAST
PARTS CATALOG

Code:
P3668-CP.E

Date:
June 2012

Sheet:14

Rev.: 0

24	Retaining washer N12 - Zn	DIN 127	-	22
25	Soft wire $\phi 1$ - l=120 mm	STAS 889	-	2
26	„O” ring 174,2x5,7	STAS 7320/2	Cauciuc Rubber	1
27				
28	160 bore elastic ring	STAS 5848/3	-	1

SC CONFIND SRL

Adresa : 105600, Câmpina, str. Progresului, nr. 2, jud. Prahova, Romania
Tel/Fax : 0244333160 / 0244374719 ; E-mail : confind@confind.ro



S.C. CONFIND S.R.L.
Câmpina

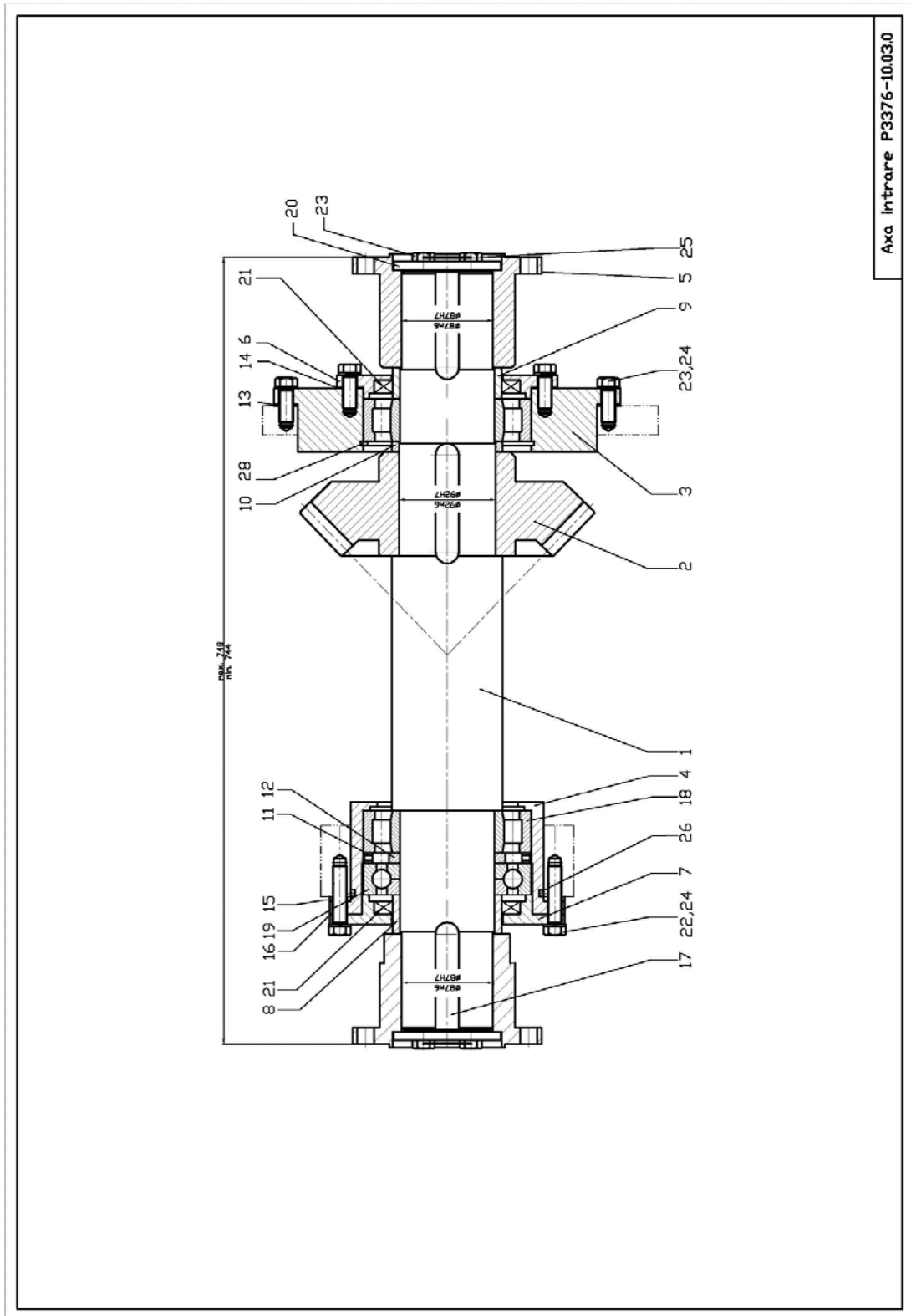
WORKOVER RIG
40 tF WITH MAST
PARTS CATALOG

Code:
P3668-CP.E

Date:
June 2012

Sheet:15

Rev.: 0



 S.C. CONFIND S.R.L. Câmpina	WORKOVER RIG 40 tF WITH MAST PARTS CATALOG	Code: P3668-CP.E	Date: June 2012
		Sheet:16	Rev.: 0

3.2. OUTPUT SHAFT: P3376-10.04.0

Item	Denomination	Drawing No. or Standard	Material	Qty.
1	Output shaft	P3376-10.04.1	42MoCr11	1
2	Bevel wheel z=30	P3376-10.04.2	18MoCr10	1
3	Sproket z=19	P3376-10.04.3	35MnSi13	1
4	Cover	P3376-10.04.4	S235JR	1
5	Spacer 1	P3376-10.04.5	C45E	1
6				
7	Oil bushing	P3376-10.04.07	S235JR	1
8	Spacer ring	P3376-10.03.12	S235JR	1
9	End cover	GCA.-01.00.11.0	S355J2	2
10	Wedge	GCA.01.00.08.0	C45E	3
11	Gasket	P3376-10.04.11	Marsit FA-A2 Marsit FA-A2	1
12	NU 2318 EMA Bearing ($\phi 90 \times \phi 190-64$)	SR 3043	SKF/FAG/NS K/ TIMKEN	1
13	NU 318 EMA bearing ($\phi 90 \times \phi 190-43$)	SR 3043	SKF/FAG/NS K/ TIMKEN	1
14	QJ 318 MPA bearing ($\phi 90 \times \phi 190-43$)	SR 7416	SKF/FAG/NS K/ TIMKEN	1
15	Sleeve A105x140x12	STAS 7950	-	2
16	190 bore elastic ring	STAS 5848/3	-	3
17	Screw M12x40	DIN 933	gr.8.8	6
18	Retaining washer N12	DIN 127	-	10
19	Screw M12x35	DIN 933	gr.8.8	2
20	Wire $\phi 1$	STAS 889	-	2
21	Sealing bushing	P3376-10.04.21	C45E	1
22	Screw M12x45	DIN 933	gr.8.8	2

SC CONFIND SRL	Adresa : 105600, Câmpina, str. Progresului, nr. 2, jud. Prahova, Romania Tel/Fax : 0244333160 / 0244374719 ; E-mail : confind@confind.ro
----------------	---



S.C. CONFIND S.R.L.
Câmpina

WORKOVER RIG
40 tF WITH MAST
PARTS CATALOG

Code:
P3668-CP.E

Date:
June 2012

Sheet:17

Rev.: 0

23	Spacer 3	P3376-10.04.23	S235JR	1
24	Spacer4	P3376-10.04.24	S235JR	1

SC CONFIND SRL

Adresa : 105600, Câmpina, str. Progresului, nr. 2, jud. Prahova, Romania
Tel/Fax : 0244333160 / 0244374719 ; E-mail : confind@confind.ro



S.C. CONFIND S.R.L.
Câmpina

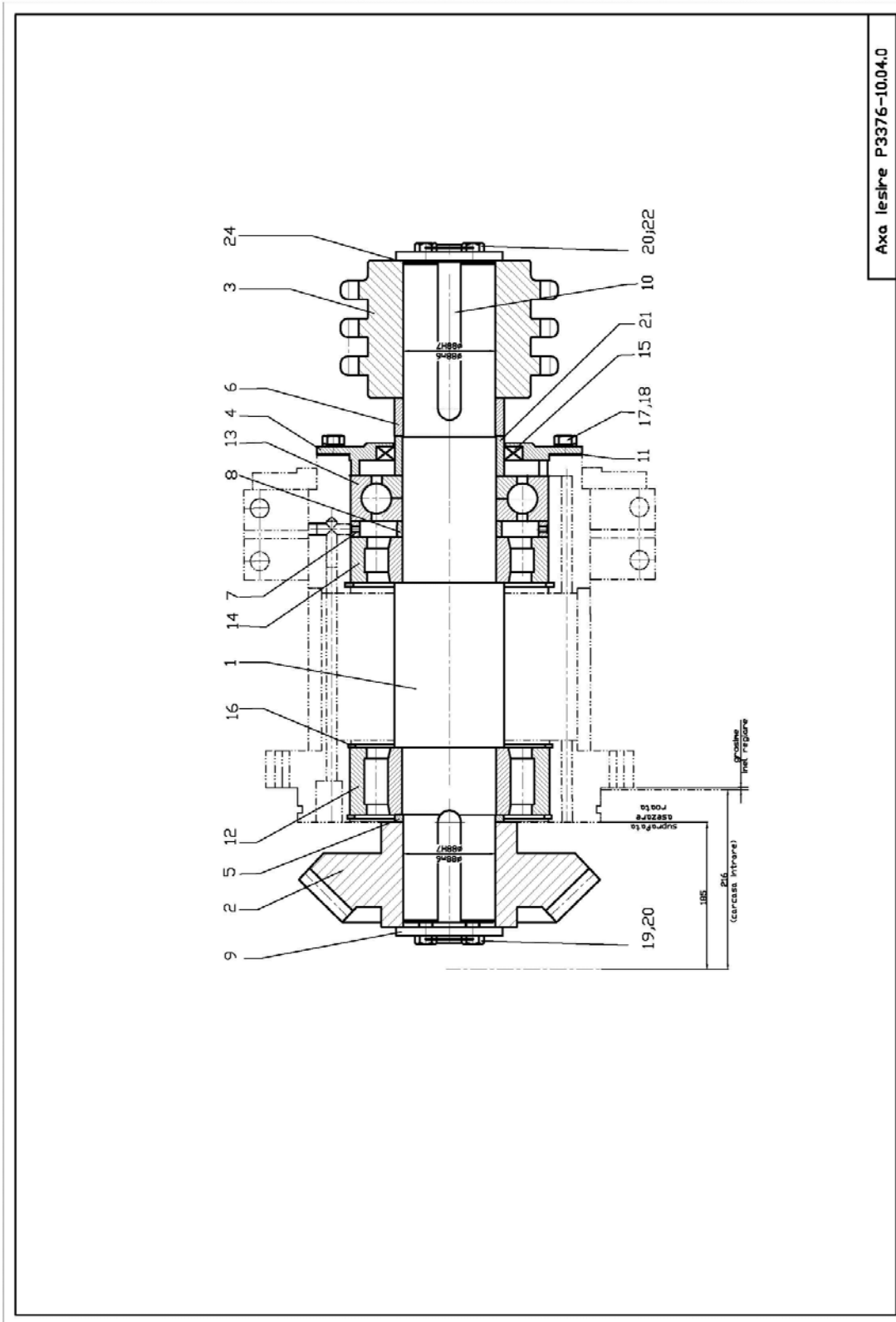
WORKOVER RIG
40 tF WITH MAST
PARTS CATALOG

Code:
P3668-CP.E

Date:
June 2012

Sheet:18

Rev.: 0



SC CONFIND SRL

Adresa : 105600, Câmpina, str. Progresului, nr. 2, jud. Prahova, Romania
Tel/Fax : 0244333160 / 0244374719 ; E-mail : confind@confind.ro



S.C. CONFIND S.R.L.
Câmpina

WORKOVER RIG
40 tF WITH MAST
PARTS CATALOG

Code:
P3668-CP.E

Date:
June 2012

Sheet:19

Rev.: 0

4. Chain transmission: P3376-11.00

Item	Denomination	Drawing No. or Standard	Material	Qty.
1	Cover I	P3376-11.01.00	-	1
2	Cover II	P3376-11.02.00	-	1
3				
4	Viewport Di=Ø230	P3376-11.04.00	-	1
5	Viewport Di=Ø140	P3376-11.05.00	-	2
6	Case	P3668-11.06.00	-	1
7				
8				
9	"O" ring Ø4,5x943	P3376-11.09.00	Rubber	1
10	"O" ring Ø4,5x838	P3376-11.10.00	Rubber	1
11	Upper gasket	P3376-11.11.00		1
12				
13	Cover VI	P3668-11.13.00	-	1
14	Cover VII	P3376-11.14.00	-	2
15	Gasket I	P3376-11.15.00	Marsit	1
16	Gasket II	P3376-11.16.00	Marsit	1
17				
18				
19	Gasket V	P3376-11.19.00	Marsit	1
20	Upper cover	P3668-11.20.00	-	1
21	Sealing plug	P3376-11.21.00	-	10
22	Gasket VI	P3376-11.22.00	-	1
23	Gasket VII	P3376-11.23.00	-	2
24	Gasket VIII	P3376-11.24.00	-	1

SC CONFIND SRL

Adresa : 105600, Câmpina, str. Progresului, nr. 2, jud. Prahova, Romania
Tel/Fax : 0244333160 / 0244374719 ; E-mail : confind@confind.ro



S.C. CONFIND S.R.L.
Câmpina

WORKOVER RIG
40 tF WITH MAST
PARTS CATALOG

Code:
P3668-CP.E

Date:
June 2012

Sheet:20

Rev.: 0

25				
26				
27	"O" ring Ø4 x 288	P3376-11.27.00	Rubber	1
28	Screw M10x30	DIN 933	gr.8.8	17
29	Screw M12x25	DIN 933	gr.8.8	8
30	Screw M12x35	DIN 933	gr.8.8	10
31	Scree M8x30	DIN 933	gr.8.8	10
32	Screw M10x35	DIN 933	gr.8.8	20
33	Screw M8x20	DIN 933	gr.8.8	6
34	Screw M8x16	DIN 933	gr.8.8	74
35	Retaining washer N8	Din 127	-	74
36	Plug M20x1,5	P3376-11.36.00	-	1
37	Gasket Ø20,5	P3376-11.37.00	-	1
38	Airing nipple	CPU004-12.08.03.00	-	1
39	Cover V	P3376-11.39.00	-	1
40	Side view cover	P3668-11.40.00	-	1
41	Threaded bushing	P3376-11.06.13	-	1
42	20B-3-154 three rows chain	STAS 5174	-	1
43				
44	Retaining washer N10	DIN 127	-	37
45	Retaining washer N12	DIN 127	-	18
46	NORDLOCK washer	NL 10	-	17

SC CONFIND SRL

Adresa : 105600, Câmpina, str. Progresului, nr. 2, jud. Prahova, Romania
Tel/Fax : 0244333160 / 0244374719 ; E-mail : confind@confind.ro



S.C. CONFIND S.R.L.
Câmpina

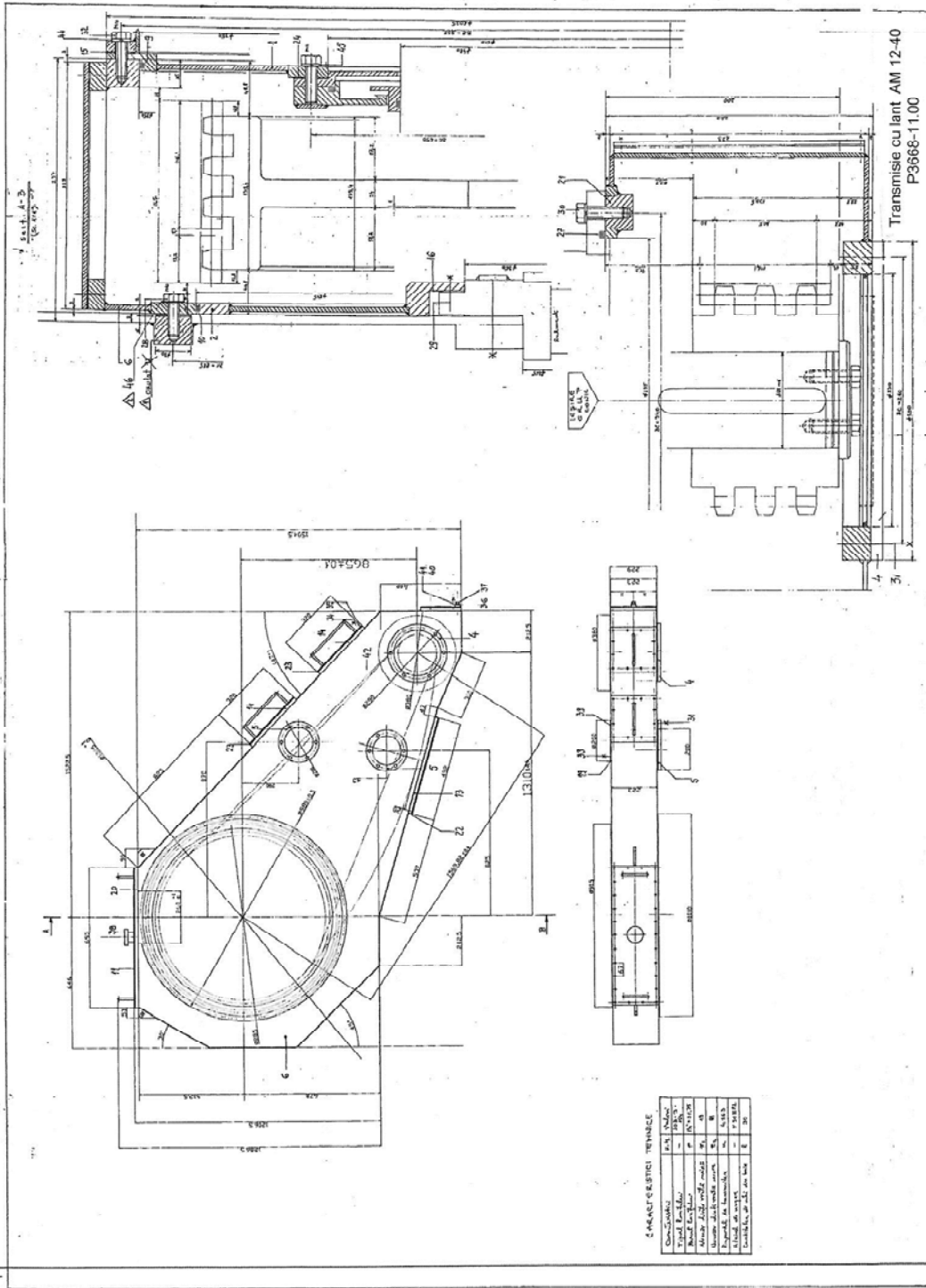
WORKOVER RIG
40 tF WITH MAST
PARTS CATALOG

Code:
P3668-CP.E

Date:
June 2012

Sheet:21

Rev.: 0





S.C. CONFIND S.R.L.
Câmpina

WORKOVER RIG
40 tF WITH MAST
PARTS CATALOG

Code:
P3668-CP.E

Date:
June 2012

Sheet:22

Rev.: 0

5. Drawworks: P3668.08-00.00.00.0

Item	Denomination	Drawing No. or Standard	Material	Qty.
1	Drawworks case	P3668.08-01.00.00.0	-	1
2	Hoisting drum	P3668.08-02.00.00.0	-	1
3	Braking system for hoisting drum	P3376.08-03.00.00.0	-	1
4	Right folder for hoisting drum	P3376.08-00.23.00.0	-	1
5	Left folder for hoisting drum	P3376.08-00.24.00.0	-	1
6	Screw M12x25	DIN 7991	gr.8.8	16
7	Stroke limiter	P3376.08-07.00.00.0	-	1
8	Guard	P3668.08-00.08.00.0	-	1
9	Front rim guard	P3668.08-00.09.00.0	-	2
10	Cupling guard	P4118-04.00	-	1
11	Guard	P3376.08-00.11.00.0	-	1
12	Hoisting drum guard	P3668.08-00.12.00.0	-	1
13	Support	TFA.01-00.13.00.0	-	1
14	Rear rim guard	P3376.08-00.28.00.0	-	2
15	Guard	P3376.08-00.35.00.0	-	1
16	Name plate	P3668.08-00.16.00.0	-	1
17	Rivet A5x10	STAS 12668-88	Al	4
18	Screw M10x30	DIN 933	gr.8.8	8
19	Retaining washer MN10	DIN 927	-	8
20	Nut M10	DIN 934	gr.8	16
21	Screw M10x35	DIN 933	gr.8.8	8
22	Screw M20x100	DIN 933	gr.10.9	8
23	Washer 20	DIN 125	-	16
24	Retaining washer N20	DIN 127	-	8

SC CONFIND SRL

Adresa : 105600, Câmpina, str. Progresului, nr. 2, jud. Prahova, Romania
Tel/Fax : 0244333160 / 0244374719 ; E-mail : confind@confind.ro



S.C. CONFIND S.R.L.
Câmpina

WORKOVER RIG
40 tF WITH MAST
PARTS CATALOG

Code:
P3668-CP.E

Date:
June 2012

Sheet:23

Rev.: 0

25	Nut M20	DIN 934	gr.10	8
----	---------	---------	-------	---



S.C. CONFIND S.R.L.
Câmpina

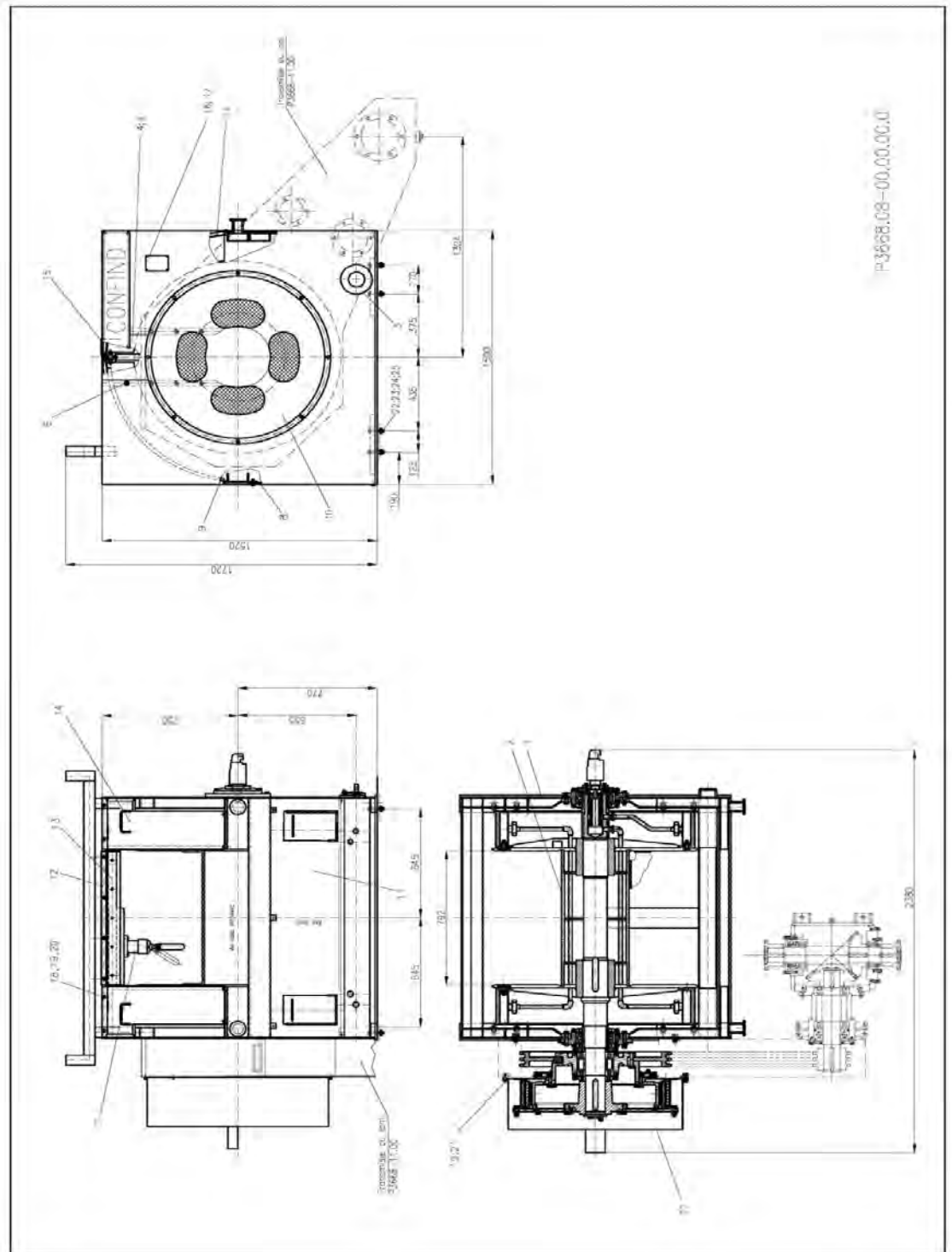
WORKOVER RIG
40 tF WITH MAST
PARTS CATALOG

Code:
P3668-CP.E

Date:
June 2012

Sheet:24

Rev.: 0



SC CONFIND SRL

Adresa : 105600, Câmpina, str. Progresului, nr. 2, jud. Prahova, Romania
Tel/Fax : 0244333160 / 0244374719 ; E-mail : confind@confind.ro



S.C. CONFIND S.R.L.
Câmpina

WORKOVER RIG
40 tF WITH MAST
PARTS CATALOG

Code:
P3668-CP.E

Date:
June 2012

Sheet:25

Rev.: 0

5.1. HOISTING DRUM: P3668.08-02.00.00.0

Item	Denomination	Drawing No. or Standard	Material	Qty.
1	Hoisting drum shaft	P3376.08-02.01.01.0	42CrMo4	1
2	Welded hoisting drum	P3376.08-02.01.02.0	-	1
3	Right bearing	P3376.08-02.01.03.00	T35M14	1
4	Left bearing	P3376.08-02.01.04.0	T35M14	1
5	Bearing	TFA.01-02.00.05.0	OT500.2	1
6	Sprocket	P3668.08-06	35MnSi15	1
7	Connection part	TFA.01-02.00.07.0	T35M14	1
8	AB 700x200 Bladder coupling	P4118-01	T35M14	1
9	Hub	TFA.01-02.00.09.0	OT500.2	1
10	Brake rim with inner cooling	P3376.08-02.01.10.0	-	2
11	Coupling flange	P4118-03	S355J2	1
12	AB 700x200 Pneumatic bladder clutch	P1832-08	-	1
13	Cover	P3376-11.01.00	-	1
14	Sealing system	P3376.08-02.14.00.0	-	1
15	22224MB 120x215x58 Bearing	SR 3918 : 1994	-	2
16	NU222 110x200x38 Bearing	SR 3043 : 1994	-	1
17	6222 110x200x38 Bearing	SR 3041 : 1994	-	1
18	Bushing	TFA.01-02.00.18.0	C45E	1
19	Spacer	TFA.01-02.00.19.0	E235	1
20	Spacer	TFA.01-02.00.20.0	E235	1
21	Spacer	P3376.08-02.01.21.0	E235	1
22	Bushing	P3376.08-02.01.22.0	C45E	1
23	Bushing	P3376.08-02.01.23.0	C45E	1
24	Bushing	P3376.08-02.01.24.0	C45E	1

SC CONFIND SRL

Adresa : 105600, Câmpina, str. Progresului, nr. 2, jud. Prahova, Romania
Tel/Fax : 0244333160 / 0244374719 ; E-mail : confind@confind.ro



S.C. CONFIND S.R.L.
Câmpina

WORKOVER RIG
40 tF WITH MAST
PARTS CATALOG

Code:
P3668-CP.E

Date:
June 2012

Sheet:26

Rev.: 0

25	Cover	P3376.08-02.01.25.0	S235JR	1
26	Cover	P3376.08-02.01.26.0	S235JR	3
27	Spacer	P3376.08-02.01.27.0	E235	1
28	Wedge 40x30x18	TFA.01-02.00.28.0	C45E	4
29	Wedge 32x32x170	TFA.01-02.00.29.0	C45E	1
30	Wedge 25x22x40	TFA.01-02.00.30.0	C45E	2
31	Wedge 32x20x50	TFA.01-02.00.31.0	C45E	1
32	Wedge 25x20x50	TFA.01-02.00.32.0	C45E	2
33	Wedge 25x25x180	TFA.01-02.00.33.0	C45E	1
34	Sleeve A130x160x15	STAS 7952-87	-	1
35	Screw M16x60	DIN 931	gr. 8.8	12
36	Retaining washer MN16	DIN 127	-	46
37	Screw M12x25	DIN 933	gr. 8.8	46
38	Retaining washer MN12	DIN 127	-	78
39	Screw M16x45	DIN 933	gr. 8.8	14
40	Lock ø315	P3376.08-02.01.40	S235JR	4
41	Sleeve A140x180x15	STAS 7952-87	-	4
42	Grease ball nipple B3	STAS 1116	-	2
43	Grease ball nipple UA2	STAS 1116	-	1
44	Cover	TFA.01-02.00.26.0	S235JR	1
45	Fitted bolt	TFA.01-02.00.45.0	42CrMo4	3
46	Nut M20	DIN 934	gr.8	3
47	Retaining washer MN20	DIN 927	-	6
48	Fitted bolt	TFA.01-02.00.48.0	42CrMo4	3
49	Button M16	TFA.01-02.00.49.0	C25	3
50	Gasket	TFA.01-02.00.50.0	marsit	1

SC CONFIND SRL

Adresa : 105600, Câmpina, str. Progresului, nr. 2, jud. Prahova, Romania
Tel/Fax : 0244333160 / 0244374719 ; E-mail : confind@confind.ro



S.C. CONFIND S.R.L.
Câmpina

WORKOVER RIG
40 tF WITH MAST
PARTS CATALOG

Code:
P3668-CP.E

Date:
June 2012

Sheet:27

Rev.: 0

51	Button ø24x5	TFA.01-02.00.51.0	S235JR	6
52	Gasket	TFA.01-02.00.52.0	marsit	1
53	Screw M12x20	DIN 933	gr. 8.8	8
54	Screw M12x30	DIN 933	gr. 8.8	8
55	End cover	TFA.01-02.00.55.0	S235JR	1
56	Grease ball nipple fixture	TFA.01-02.00.56.0	S235JR	2
57	Screw M16x80	DIN 931	gr. 8.8	8
58	Screw M16x130	DIN 931	gr. 8.8	10
59	Screw M20x1,5	P4118-15	42CrMo4	12
60	Crown nut M20x1,5	DIN 935	Gr. 8	12
61	Splint 4x40	DIN 94	OL34	12
62	Crossover	TFA.01-02.00.62.0	S355J2	1
63	Gasket	TFA.01-02.00.63.0	Cu 99.5	1
64	Screw M16x1,5	P3376.08-02.00.64.0	42CrMo4	32
65	Button ø20	TFA.01-02.00.65.0	S235JR	1
66	Clamp	P3376.08-02.01.66.0	S355J2	1
67	Air input screw	TFA.01-02.00.67.1	S355J2	1
68	Gasket	TFA.01-02.00.68.0	Cu 99.5	4
69	Clamp	TFA.01-02.00.69.0	S235JR	1
70	Screw M10x12	DIN 933	gr. 8.8	2
71	Retaining washer MN10	DIN 127	-	2
72	Gasket	P3376.08-02.01.72.0	Marsit	1
74	Lock screw M16	TFA.01-02.00.74.0	S355J2	4
75	Lock ø18	TFA.01-02.00.75.0	S235JR	36
77	Lock ø500	P3376.08-02.01.77	S235JR	4
78	Gasket	TFA.01-02.00.78.0	Marsit	1

SC CONFIND SRL

Adresa : 105600, Câmpina, str. Progresului, nr. 2, jud. Prahova, Romania
Tel/Fax : 0244333160 / 0244374719 ; E-mail : confind@confind.ro



S.C. CONFIND S.R.L.
Câmpina

WORKOVER RIG
40 tF WITH MAST
PARTS CATALOG

Code:
P3668-CP.E

Date:
June 2012

Sheet:28

Rev.: 0

79	Lock ø400	P3376.08-02.01.79	S235JR	4
80	Gasket	TFA.01-02.00.80.0	Marsit	1
81	Screw M12x35	DIN 933	gr.8.8	16
82	Washer 12	DIN 126	-	16
83	Cover	P3376.08-02.01.83.0	S235JR	1
84	Double water rotate joint fixture	P3376.08-02.01.84.0	S355J2	1
85	Seal gasket S/921.74x33x4.2	L4303217430302	-	2
86	"O" ring	35507300	-	2
87	Screw M8x40	DIN 931	gr.10.9	8
88	Retaining washer MN12	DIN 127	-	8
89	Double water rotate joint 57 STD	S1006005270101	-	1
90	Dual joint	K1001525930101	E235	1
91	Pipe ¾ x 935	P3376.08-02.01.91.0	-	2
92	Nipple DN3434HD	C0707034340101	-	8
93	Hose ¾ x 340	M1001003500323	-	1
94	Hose ¾ x 300	M1001003500322	-	3
95	Elbow W34ST	C0701000340202	-	5
96	¾" Pipes support	R1101000040107	-	4
97	Double joint ring	P3376.08-02.02.82.0	S355J2	1
98	Single joint ring	TFA.01-02.72.02.0	S355J2	1
99	Adaptor flange	P4118-04.00	C45E	1
100	Spacer ring	P4118-10	S235JR	
101	Quick discharge valve	C0604391560101	-	2
102	Extension piece	P4118-02	C45E	1
103	Double joint Banjo M20x1,5 2Rp1/2" BSP	P4118-14.01.00	-	1

SC CONFIND SRL

Adresa : 105600, Câmpina, str. Progresului, nr. 2, jud. Prahova, Romania
Tel/Fax : 0244333160 / 0244374719 ; E-mail : confind@confind.ro



S.C. CONFIND S.R.L.
Câmpina

WORKOVER RIG
40 tF WITH MAST
PARTS CATALOG

Code:
P3668-CP.E

Date:
June 2012

Sheet:29

Rev.: 0

104	Crossover G $\frac{3}{4}$ - G $\frac{1}{2}$	C0732168270102	-	4
105	Angle quick connection #LF3000#	C0732000020603	-	4
106	Crossover M33x1,5-Rp $\frac{1}{2}$ "BSP	P4118-14.02	C45E	2
107	Quick connection L#LF3000#	C0732000020537	-	2
108	Single rotate joint	C0732131140101	-	1
109	Polyamide hose \varnothing 14x1	P4118-14.04	-	1m

SC CONFIND SRL

Adresa : 105600, Câmpina, str. Progresului, nr. 2, jud. Prahova, Romania
Tel/Fax : 0244333160 / 0244374719 ; E-mail : confind@confind.ro



S.C. CONFIND S.R.L.
Câmpina

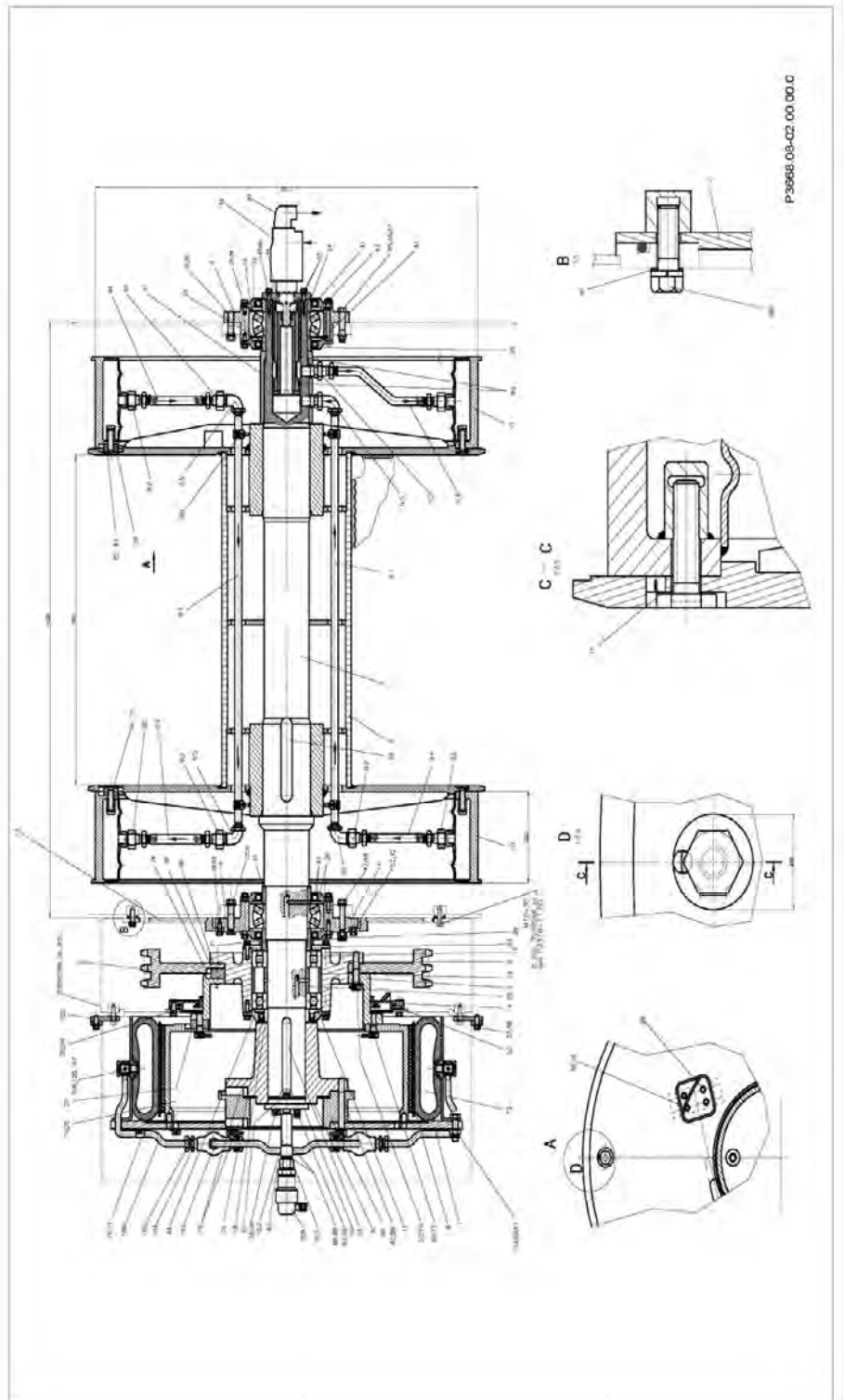
WORKOVER RIG
40 tF WITH MAST
PARTS CATALOG

Code:
P3668-CP.E

Date:
June 2012

Sheet:30

Rev.: 0



SC CONFIND SRL

Adresa : 105600, Câmpina, str. Progresului, nr. 2, jud. Prahova, Romania
Tel/Fax : 0244333160 / 0244374719 ; E-mail : confind@confind.ro



S.C. CONFIND S.R.L.
Câmpina

WORKOVER RIG
40 tF WITH MAST
PARTS CATALOG

Code:
P3668-CP.E

Date:
June 2012

Sheet:31

Rev.: 0

5.2. HOISTING DRUM BRAKE SYSTEM: P3376.08-03.00.00.0

Item	Denomination	Drawing No. or Standard	Material	Qty.
1	Brake axle	P3376.08-03.01.00.0	-	1
2	Axle bearing	TFA.01-03.02.00.0	-	1
3	Shoe band brake	P3376.08-03.03.00.0	-	2
4	Standoff adjustment device	P3376.08-03.04.00.0	-	2
5	Reciprocating rod	P3376.08-03.05.00.0	S355J2	2
6	Beam	TFA.01-03.06.00.0	-	2
7	Adjustment screw	TFA.01-03.00.07.0	S355J2	1
8	Bolt ϕ 25x81	TFA.01-03.00.08.0	C45E	2
9	Bolt ϕ 25x110	TFA.01-03.00.09.0	C45E	4
10	Bolt ϕ 32	P3376.08-03.00.10.0	C45E	2
11	Lock nut	TFA.01-03.00.11.0	S355J2	1
12	Lock	TFA.01-03.00.12.0	S355J2	1
13	Lock pin	TFA.01-03.00.13.0	S355J2	1
14	Lock support	TFA.01-03.14.00.0	-	2
15	Roller	TFA.01-03.15.00.0	-	4
16	Roller support	TFA.01-03.00.16.1	S235JR	4
17	Supporting device	TFA.01-03.17.00.0	-	6
18	Supporting device fixture	TFA.01-03.00.18.0	S235JR	6
19	Pneumatically cylinder	L4312001000101	-	1
20	Servomotor support	P3376.08-03.20.00.0	-	1
21	Fork	TFA.01-03.00.21.0	C45E	1
22	Bolt ϕ 25x80	TFA.01-03.00.22.0	C45E	2
23	Add package	TFA.01-03.23.00.0	-	1
24	Pin M12x20	DIN 551	Gr. 8.8	1

SC CONFIND SRL

Adresa : 105600, Câmpina, str. Progresului, nr. 2, jud. Prahova, Romania
Tel/Fax : 0244333160 / 0244374719 ; E-mail : confind@confind.ro



S.C. CONFIND S.R.L.
Câmpina

WORKOVER RIG
40 tF WITH MAST
PARTS CATALOG

Code:
P3668-CP.E

Date:
June 2012

Sheet:32

Rev.: 0

25	Splint ϕ 8x50	DIN 94	S235JR	2
26	Washer 33	DIN 125	S235JR	2
27	Splint 6,3x40	DIN 94	S235JR	6
28	Washer 27	DIN 125	S235JR	6
29	Lock support	TFA.01-03.29.00.0	-	2
30	Washer 12	DIN 125	S235JR	8
31	Grease ball nipple UA3	C0598000030101	-	2
32	Cylinder accessory	E1098000020203	-	1

SC CONFIND SRL

Adresa : 105600, Câmpina, str. Progresului, nr. 2, jud. Prahova, Romania
Tel/Fax : 0244333160 / 0244374719 ; E-mail : confind@confind.ro



S.C. CONFIND S.R.L.
Câmpina

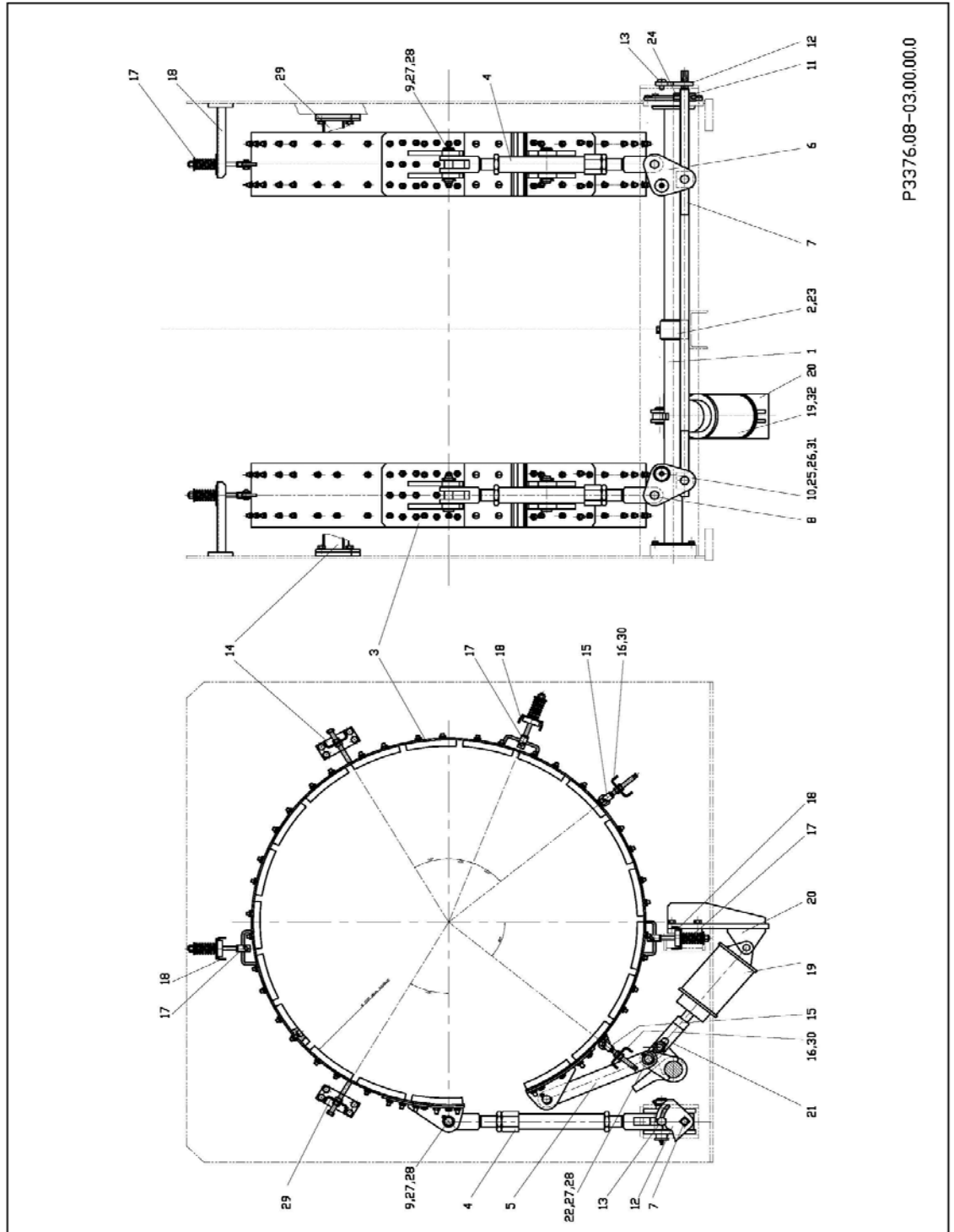
WORKOVER RIG
40 tF WITH MAST
PARTS CATALOG

Code:
P3668-CP.E

Date:
June 2012

Sheet:33

Rev.: 0



P3376.08-03.00.00.0

SC CONFIND SRL

Adresa : 105600, Câmpina, str. Progresului, nr. 2, jud. Prahova, Romania
Tel/Fax : 0244333160 / 0244374719 ; E-mail : confind@confind.ro

 S.C. CONFIND S.R.L. Câmpina	WORKOVER RIG 40 tF WITH MAST PARTS CATALOG	Code: P3668-CP.E	Date: June 2012
		Sheet:34	Rev.: 0

5.3. SHOE BAND BRAKE: P3376.08-03.03.00.0

Item	Denomination	Drawing No. or Standard	Material	Qty.
1	Band brake	P3376.08-03.03.01.0	C35E	1
2	Fixed plate	P3376.08-03.03.02.0	S355J2	1
3	Mobile plate	P3376.08-03.03.03.0	S355J2	1
4	Ear	P3376.08-03.03.04.0	S355J2	4
5	Shoe	P3376.08-03.03.05.0	Non-asbestos A1F-07T	20
6	Lever	P3376.08-03.03.06.0	S355J2	3
7	Countersunk screw 10x30	DIN 963	AmX4	72
8	Countersunk screw 10x35	DIN 963	AmX4	8
9	Countersunk screw 10x30	DIN 963	gr.8.8	17
10	Nut M10	DIN 934	gr.8	97
11	Retaining washer MN10	DIN 127	-	97

SC CONFIND SRL	Adresa : 105600, Câmpina, str. Progresului, nr. 2, jud. Prahova, Romania
	Tel/Fax : 0244333160 / 0244374719 ; E-mail : confind@confind.ro



S.C. CONFIND S.R.L.
Câmpina

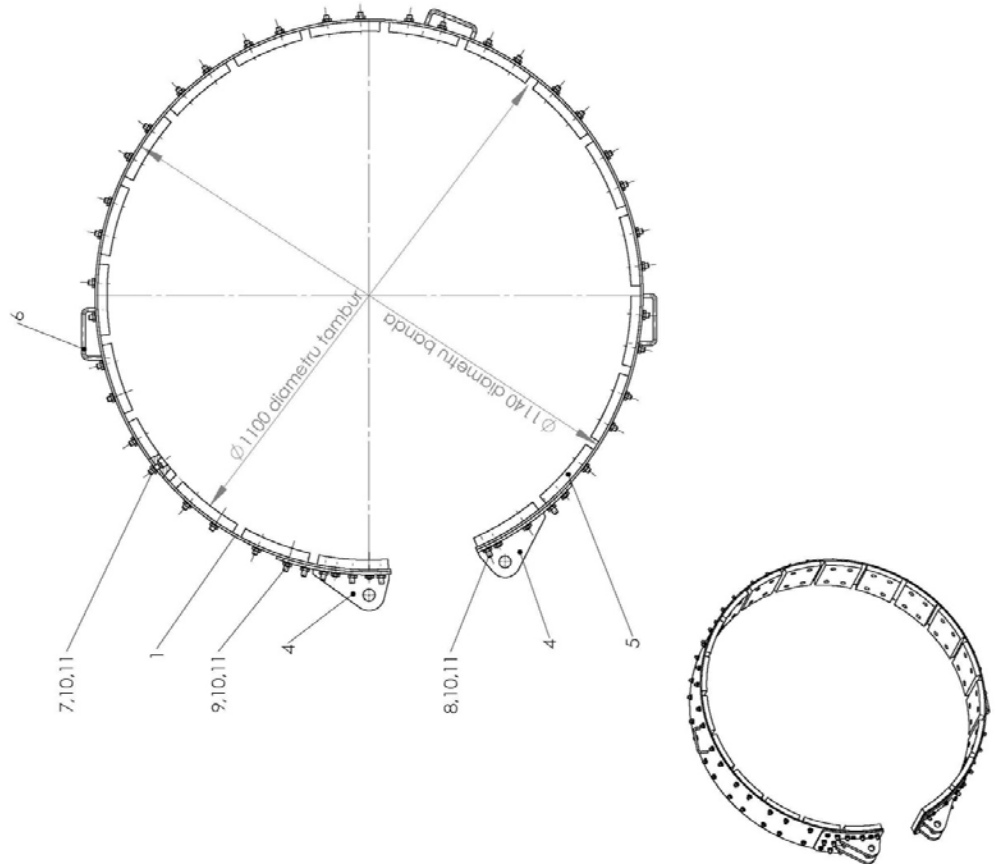
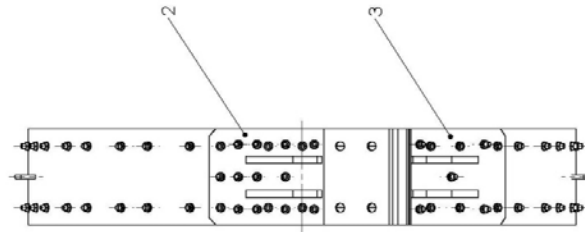
WORKOVER RIG
40 tF WITH MAST
PARTS CATALOG

Code:
P3668-CP.E

Date:
June 2012

Sheet:35

Rev.: 0





S.C. CONFIND S.R.L.
Câmpina

WORKOVER RIG
40 tF WITH MAST
PARTS CATALOG

Code:
P3668-CP.E

Date:
June 2012

Sheet:36

Rev.: 0

6. Traveling & hook block assy.: P3376-07.00.00.0

Item	Denomination	Drawing No. or Standard	Material	Qty.
1	3.22.560-MC65 Hook	P3376-07.01.00	-	1
2	RM 560/22 Sheave	P3376-07.02	T32MoCrNi08	3
3	Axle	P3376-07.03	42CrMo4	1
4	Wedge	P3376-07.04	C45E	2
5	Sheave spacer 1	P3376-07.05	OLT35	2
6	Sheave spacer 2	P3376-07.06	OLT35	2
7	32024 Tapered roller bearings	SR 3920:94	(ϕ 120x ϕ 180-38)	6
8	Screw M10x20	DIN 933	gr.8.8	6
9	Ferrule	P3376-06-01-16	Arc 3	3
10	Segmented ring	P3376-06-01-17	S235JR	3
11	Spacer	P3376-07.11	OLT35	2
12	Side plate 1	P3376-07.12	S355J2	1
13	Side plate 2	P3376-07.13	S355J2	1
14	Index	P3376-07.14.00	-	1
15	Spring	P3376-07.15	60Si15A	1
16	Glass	P3376-07.16	T32MoCrNi08	1
17	Connection piece	P3376-07.17	T32MoCrNi08	1
18	Pot	P3376-07.18	T32MoCrNi08	1
19	Cover	P3376-07.19	T32MoCrNi08	1
20	Threaded cover	P3376-07.20	C45E	1
21	Rod	P3376-07.21	42CrMo4	1
22	Rod nut	P3376-07.22	42CrMo4	1
23	Nut wedge	P3376-07.23	C45E	1
24	Wedge 8x20x47	P3376-07.24	C45E	1

SC CONFIND SRL

Adresa : 105600, Câmpina, str. Progresului, nr. 2, jud. Prahova, Romania
Tel/Fax : 0244333160 / 0244374719 ; E-mail : confind@confind.ro



S.C. CONFIND S.R.L.
Câmpina

WORKOVER RIG
40 tF WITH MAST
PARTS CATALOG

Code:
P3668-CP.E

Date:
June 2012

Sheet:37

Rev.: 0

25	Screw	P3376-07.25	C45E	2
26	Screw M12x40	DIN 933	gr.8.8	2
27			-	
28	Threaded pin with chamfered top M12x35	DIN 551	gr.8.8	1
29	Connection bolt	P3376-07.29	42CrMo4	2
30	Traveling block cover	P3376-07.30	T32MoCrNi08	1
31	Screw M16x72	P3376-07.31	C60E	4
32	Inner guard	P3376-07.32.00	-	1
33	Outer guard	P3376-07.33.00	-	2
34	"O" ring - 35508500	STAS 7320	Rubber	2
35	29418 Axial roller bearing	STAS 3921	($\phi 90 \times \phi 190 - 60$)	1
36	Grease ball nipple type A, M10x1	DIN 71412	-	4
37	Screw M12x30	DIN 933	gr.8.8	4
38	Retaining washer MN12	DIN 127	gr.8	10
39	Safety lock washer M16	DIN 432	S235JR	4
40	Safety lock washer M12	DIN 432	S235JR	8
41	Nut M12	DIN 934	gr.8	8
42	Screw M12x45	DIN 912	gr.8.8	6
43				
44	Bolt lock	P3376-07.44	S235JR	2
45	Screw M8x20	DIN 933	gr.8.8	2
46	Rod	P3376-07.46	S235JR	4
47	Safety lock washer M8	DIN 432	gr.8	2
48	Name plate	P3376-07.48	Al 99,5	1
49	Rivet	DIN 660	Al	4

SC CONFIND SRL

Adresa : 105600, Câmpina, str. Progresului, nr. 2, jud. Prahova, Romania
Tel/Fax : 0244333160 / 0244374719 ; E-mail : confind@confind.ro



S.C. CONFIND S.R.L.
Câmpina

WORKOVER RIG
40 tF WITH MAST
PARTS CATALOG

Code:
P3668-CP.E

Date:
June 2012

Sheet:38

Rev.: 0

50				
51				
52	Screw M16	P3376-07.52	S355J2	4

SC CONFIND SRL

Adresa : 105600, Câmpina, str. Progresului, nr. 2, jud. Prahova, Romania
Tel/Fax : 0244333160 / 0244374719 ; E-mail : confind@confind.ro



S.C. CONFIND S.R.L.
Câmpina

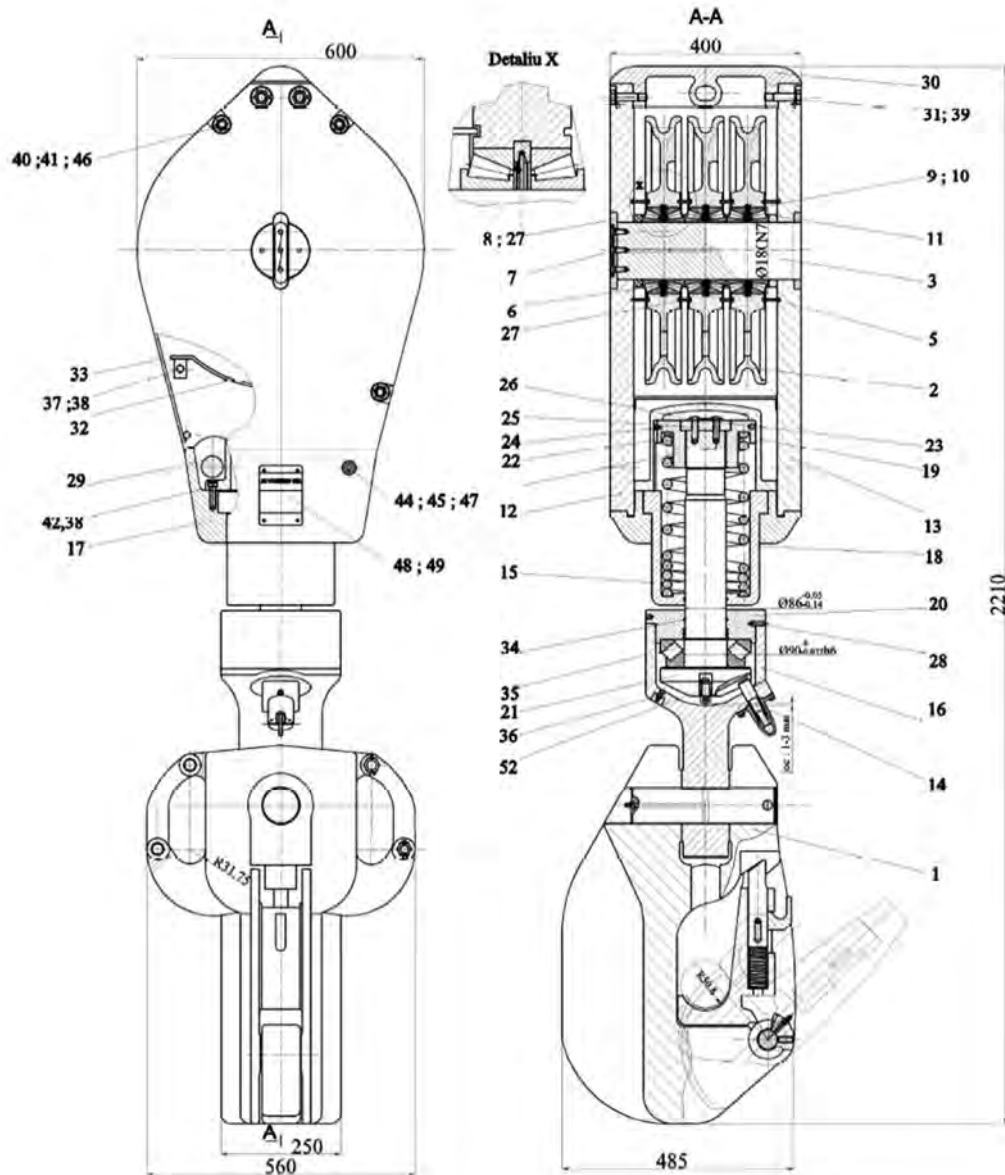
WORKOVER RIG
40 tF WITH MAST
PARTS CATALOG

Code:
P3668-CP.E

Date:
June 2012

Sheet:39

Rev.: 0



Macara cârlig 3.22.560 MC 65: P3376-07.00.00

 S.C. CONFIND S.R.L. Câmpina	WORKOVER RIG 40 tF WITH MAST PARTS CATALOG	Code: P3668-CP.E	Date: June 2012
		Sheet:40	Rev.: 0

6.1. HOOK: P3376-07.01.00

Item	Denomination	Drawing No. or Standard	Material	Qty.
1	Hook	P3376-07.01.01	T32MoCrNi08	1
2	Rider	P3376-07.01.02	T32MoCrNi08	1
3	Bolt $\varnothing=40$	P3376-07.01.03	42CrMo4	1
4	Threaded pin M12x40	DIN914	gr.5.6	1
5	Grease ball nipple type A, M10x1	DIN 71412	-	2
6	Spring	P3376-07.01.06	60Si15A	1
7	Ear	P3376-07.01.07	S235JR	1
8	Lock	P3376-07.01.08	C60E	1
9	Bolt $\varnothing=75$	P3376-07.01.09	42CrMo4	1
10	Safety bolt $\varnothing=20$	P3376-07.01.10	42CrMo4	1
11	Locking bolt $\varnothing=11$	P3376-07.01.11	42CrMo4	1
12	Arm	P3376-07.01.12	S235JR	2
13	Screw M20x75	DIN 931	gr.8.8	4
14	Crown nut M20	DIN 935	gr.8	4
15	Splint 4x40	DIN 94	S235JR	4

SC CONFIND SRL	Adresa : 105600, Câmpina, str. Progresului, nr. 2, jud. Prahova, Romania
	Tel/Fax : 0244333160 / 0244374719 ; E-mail : confind@confind.ro



S.C. CONFIND S.R.L.
Câmpina

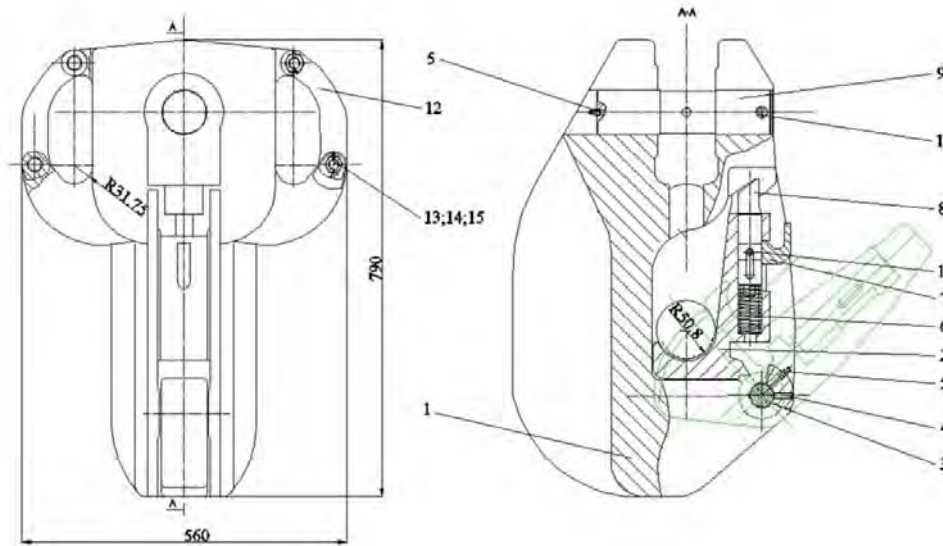
WORKOVER RIG
40 tF WITH MAST
PARTS CATALOG

Code:
P3668-CP.E

Date:
June 2012

Sheet:41

Rev.: 0



Cărlig macara : P3376-07.01.00

6.2. INDEX: P3376-07.14.00

Item	Denomination	Drawing No. or Standard	Material	Qty.
1	Locking ear	P3376-07.14.01	S235JR	1
2	Index lock device	P3376-07.14.02	S235JR	1
3	Lock spring	P3376-07.14.03	60Si15A	1
4	Hook locking bolt	P3376-07.14.04	C45E	1
5	Screw M10x25	DIN 933	gr.8.8	2
6	Retaining washer MN10	DIN 127	gr.8	2

SC CONFIND SRL

Adresa : 105600, Câmpina, str. Progresului, nr. 2, jud. Prahova, Romania
Tel/Fax : 0244333160 / 0244374719 ; E-mail : confind@confind.ro



S.C. CONFIND S.R.L.
Câmpina

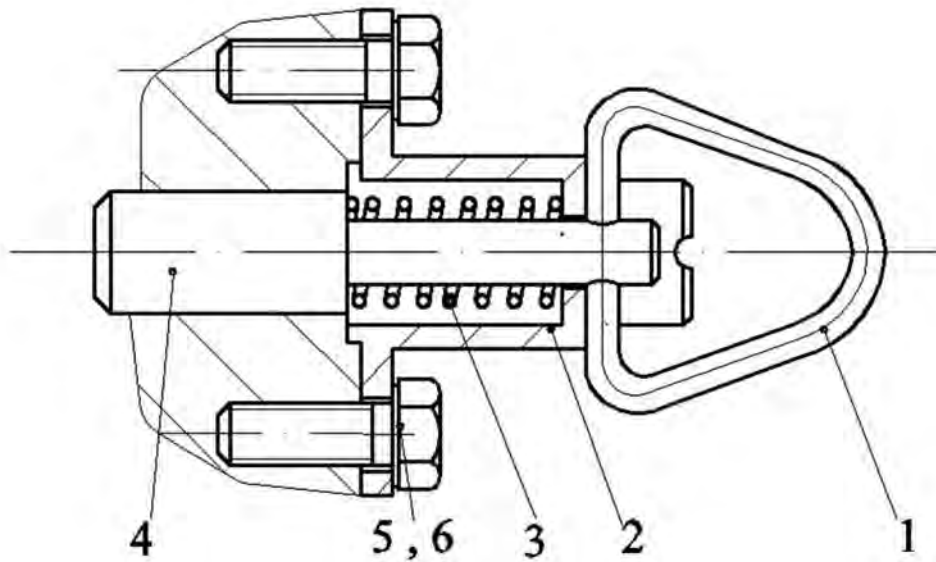
WORKOVER RIG
40 tF WITH MAST
PARTS CATALOG

Code:
P3668-CP.E

Date:
June 2012

Sheet:42

Rev.: 0



Indexor: P3376-07.14.00



S.C. CONFIND S.R.L.
Câmpina

WORKOVER RIG
40 tF WITH MAST
PARTS CATALOG

Code:
P3668-CP.E

Date:
June 2012

Sheet:43

Rev.: 0

7. Crown block: P3376-06-00

Item	Denomination	Drawing No. or Standard	Material	Qty.
1	2 pulleys assy.	P3376-06-01-00	-	1
2	1 pulley assy.	P3376-06-02-00	-	2
3				
4	Crown block table assy.	P3376-06-04-00	-	1
5	Pulley No.2 assy.	P3376-06-05-00	-	1
6	Name plate	P3668-06-06	Al 99,5	1
7	Rivet Ø=8.5	DIN 660	Al	4
8				1
9	Support of anti-falling device	P3376-06-09-00	-	1
10	Support of signaling lamp	P3376-06-10-00	-	1
11	Centralized greasing system	P3376-06-11-00	-	1
12	Screw M12x35	DIN 933	gr.10.0	2
13	Retaining washer Ø12	DIN 127	-	2
14	Flat washer Ø12	DIN 125	-	4
15	Safety wire Ø4(1x19)	P3376-06-15	-	1
16	Screw M20x45	DIN 933	gr.10.9	2
17	High crown nut M20	DIN 935	gr.10	2
18	Splint Ø4x45	DIN 94	-	2
19	Flat washer Ø20	DIN 125	-	4
20	Safety wire Ø8 (1x19)	P3376-06-20	-	1
21				
22	Sheave assy. No.1	P3376-06-22-00	-	1
23	Sheave assy. No.3	P3376-06-23-00	-	1
24	Anti-falling device protection box	P3376-06-24-00	-	1

SC CONFIND SRL

Adresa : 105600, Câmpina, str. Progresului, nr. 2, jud. Prahova, Romania
Tel/Fax : 0244333160 / 0244374719 ; E-mail : confind@confind.ro



S.C. CONFIND S.R.L.
Câmpina

WORKOVER RIG
40 tF WITH MAST
PARTS CATALOG

Code:
P3668-CP.E

Date:
June 2012

Sheet:44

Rev.: 0

25	Manila rope – 21 m	P3376-06.25.00	Jute	1
----	--------------------	----------------	------	---

SC CONFIND SRL

Adresa : 105600, Câmpina, str. Progresului, nr. 2, jud. Prahova, Romania
Tel/Fax : 0244333160 / 0244374719 ; E-mail : confind@confind.ro



S.C. CONFIND S.R.L.
Câmpina

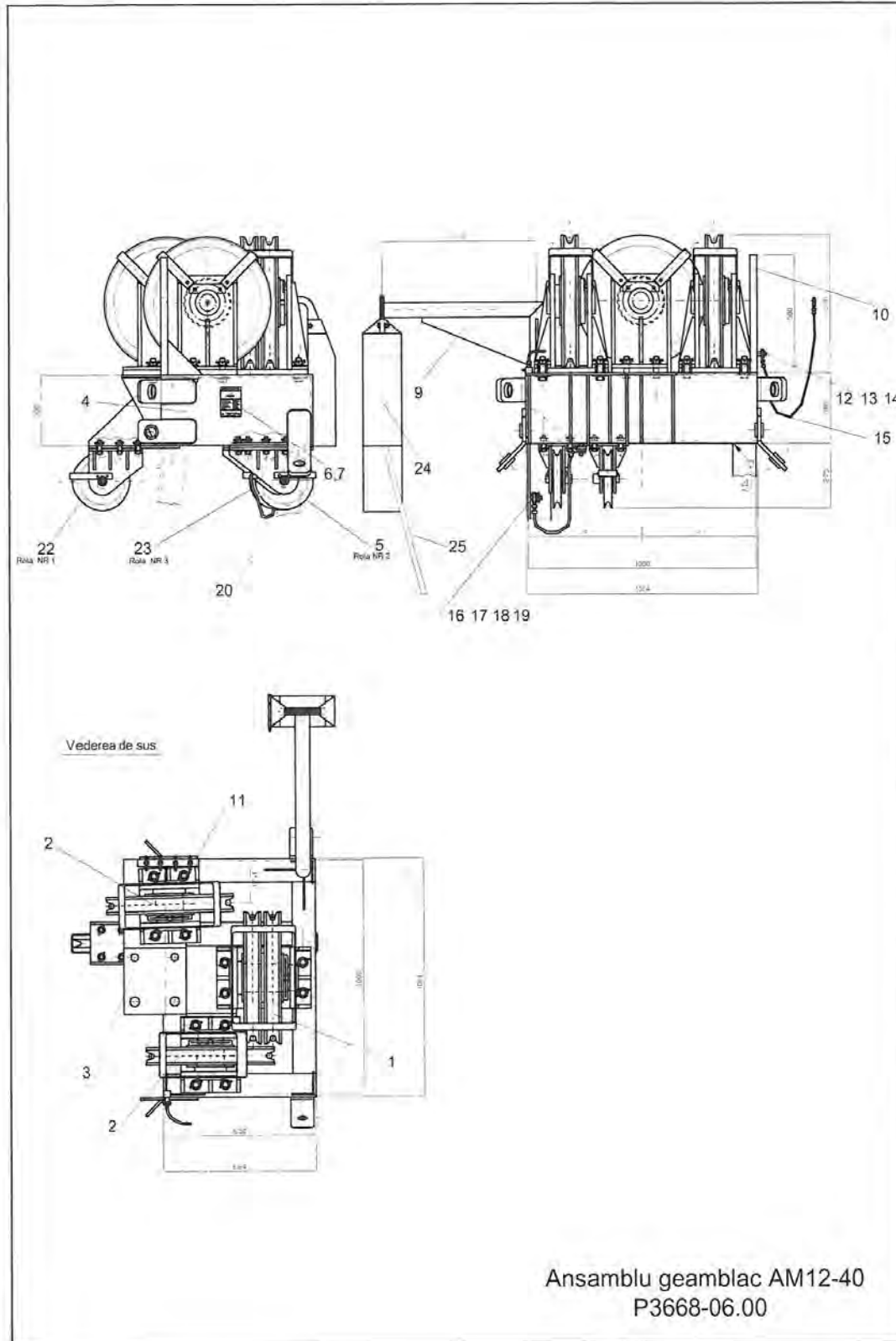
WORKOVER RIG
40 tF WITH MAST
PARTS CATALOG

Code:
P3668-CP.E

Date:
June 2012

Sheet:45

Rev.: 0





S.C. CONFIND S.R.L.
Câmpina

WORKOVER RIG
40 tF WITH MAST
PARTS CATALOG

Code:
P3668-CP.E

Date:
June 2012

Sheet:46

Rev.: 0

7.1. 2 PULLEYS ASSY.: P3376-06-01-00

Item	Denomination	Drawing No. or Standard	Material	Qty.
1	Basic plate	P3376-06-01-01	S235JR	1
2	Support	P3376-06-01-02-00	S235JR	2
3	High crown nut M24	DIN 935	gr.10	4
4	Nordlock washer or retaining washer Ø24	NL 24 ; DIN127	-	4
5	Washer Ø24	DIN 125	-	4
6	Crew M24x100	DIN 933	gr.10.9	4
7	Pulley RM Ø560/22	P3376-07.02	T32MoCrNi08	2
8	Safety plate	P3376-06-01-08	S235JR	2
9	Screw M10x20	DIN 933	gr.6.8	9
10	Retaining washer Ø10	DIN127	-	9
11	Wire safety clamp	P3376-06-01-11	S235JR	2
12	Protector I Ø208	P3376-06-01-12-00	-	1
13	32024 XA Bearing	STAS 3920-90	(φ120xφ180x38)	4
14	Axle	P3376-06-01-14	42CrMo4	1
15	Grease ball nipple UA3	STAS 1116-67	-	2
16	Ferrule	P3376-06-01-16	Arc 3	2
17	Segmented ring	P3376-06-01-17	S235JR	2
18	Protection bushing Ø208	P3376-06-01-18	OLT35	1
19	Special nut	P3376-06-01-19	C45E	1
20	Protector II Ø 206	P3376-06-01-20-00	-	1
21	"U" washer Ø 26	DIN 434	-	2
22	Splint Ø5	DIN 97	-	4

SC CONFIND SRL

Adresa : 105600, Câmpina, str. Progresului, nr. 2, jud. Prahova, Romania
Tel/Fax : 0244333160 / 0244374719 ; E-mail : confind@confind.ro



S.C. CONFIND S.R.L.
Câmpina

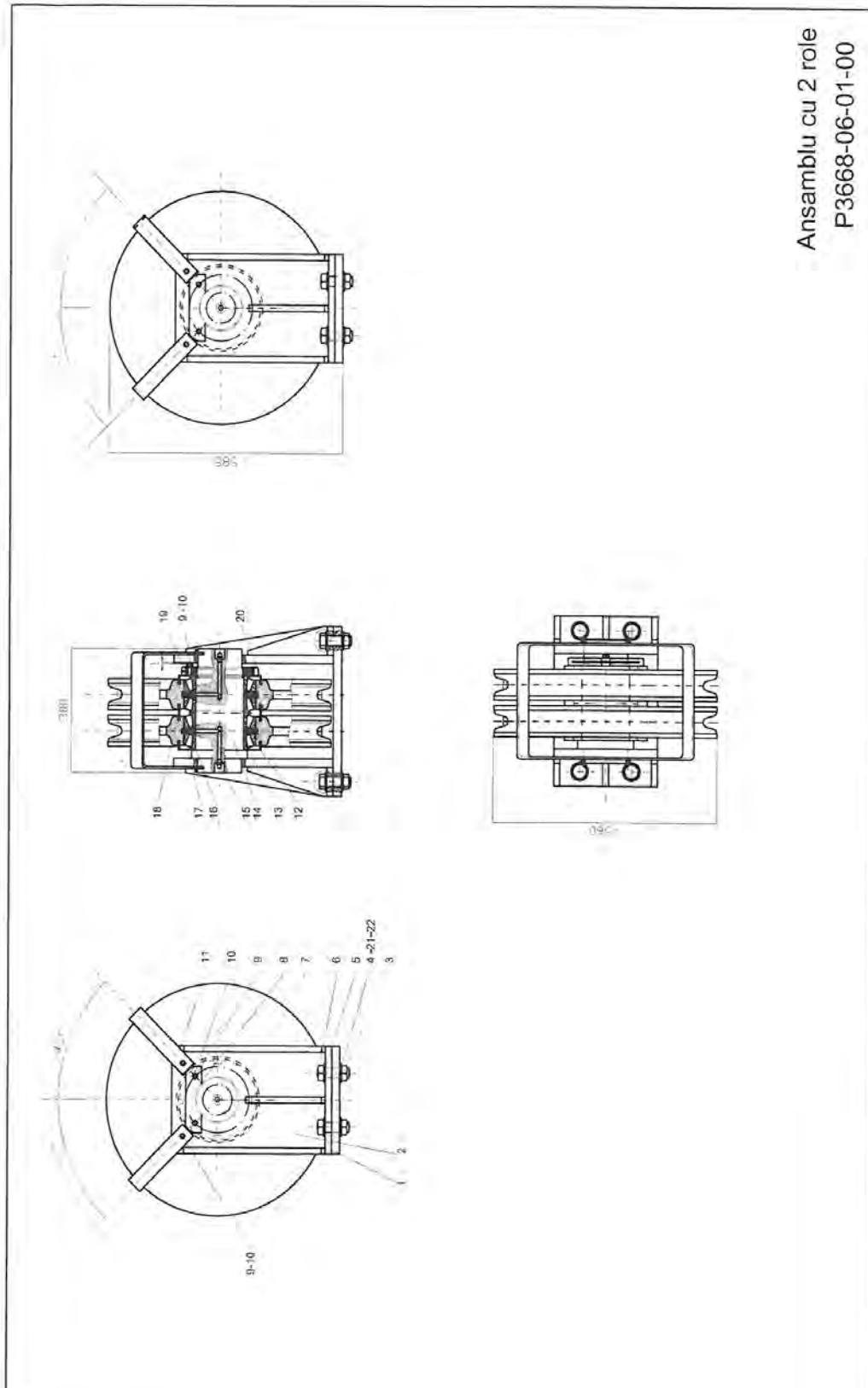
WORKOVER RIG
40 tF WITH MAST
PARTS CATALOG

Code:
P3668-CP.E

Date:
June 2012

Sheet:47

Rev.: 0



Ansamblu cu 2 role
P3668-06-01-00

SC CONFIND SRL

Adresa : 105600, Câmpina, str. Progresului, nr. 2, jud. Prahova, Romania
Tel/Fax : 0244333160 / 0244374719 ; E-mail : confind@confind.ro

 S.C. CONFIND S.R.L. Câmpina	WORKOVER RIG 40 tF WITH MAST PARTS CATALOG	Code: P3668-CP.E	Date: June 2012
		Sheet:48	Rev.: 0

7.2. 1 PULLEY ASSY.: P3376-06-02-00

Item	Denomination	Drawing No. or Standard	Material	Qty.
1	Base plate	P3376-06-02-01	S235JR	1
2	Support	P3376-06-01-02-00	S235JR	2
3	High crown nut M24	DIN 935	gr.10	4
4	Nordlock or retaining washer Ø24	NL 24 ; DIN127	-	4
5	Washer Ø24	DIN 125	-	4
6	Screw M24x100	DIN 933	gr.10.9	4
7	Pulley RM Ø560/22	P3376-07.02	T32MoCrNi08	1
8	Safety plate	P3376-06-01-08	S235JR	2
9	Screw M10x20	DIN 933	gr.6.8	9
10	Retaining washer Ø10	DIN127	-	9
11	Wire safety clamp	P3376-06-02-11	S235JR	2
12	Protector I Ø208	P3376-06-01-12-00	-	1
13	32024 XA Bearing	STAS 3920-90	(φ120xφ180x38)	2
14	Axle	P3376-06-02-14	42CrMo4	1
15	Grease ball nipple UA3	STAS 1116-67	-	1
16	Ferrule	P3376-06-01-16	Arc 3	1
17	Segmented ring	P3376-06-01-17	S235JR	1
18	Special nut	P3376-06-01-19	C45E	1
19	Protector II Ø 206	P3376-06-01-20-00	-	1
20	"U" washer Ø26	DIN 434	-	4
21	Splint Ø5	DIN 97	-	4

SC CONFIND SRL	Adresa : 105600, Câmpina, str. Progresului, nr. 2, jud. Prahova, Romania Tel/Fax : 0244333160 / 0244374719 ; E-mail : confind@confind.ro
----------------	---



S.C. CONFIND S.R.L.
Câmpina

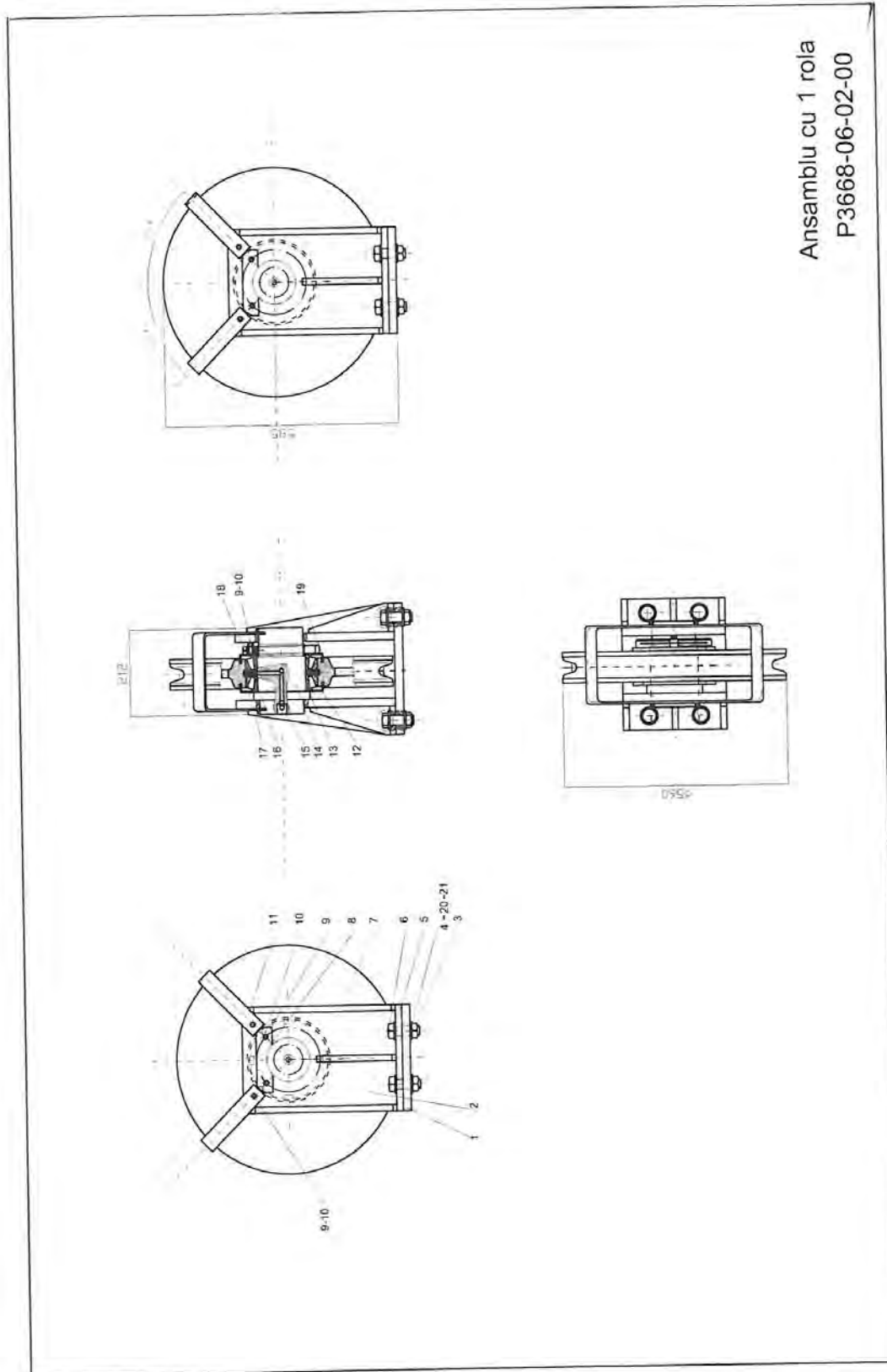
WORKOVER RIG
40 tF WITH MAST
PARTS CATALOG

Code:
P3668-CP.E

Date:
June 2012

Sheet:49

Rev.: 0



SC CONFIND SRL

Adresa : 105600, Câmpina, str. Progresului, nr. 2, jud. Prahova, Romania
Tel/Fax : 0244333160 / 0244374719 ; E-mail : confind@confind.ro

 S.C. CONFIND S.R.L. Câmpina	WORKOVER RIG 40 tF WITH MAST PARTS CATALOG	Code: P3668-CP.E	Date: June 2012
		Sheet:50	Rev.: 0

7.3. CROWN BLOCK TABLE ASSY: P3376-06-04-00

Item	Denomination	Drawing No. or Standard	Material	Qty.
1	Crown block table	P3376-06-04-01	-	1
2	Base plate	P3376-06-01-01	S235JR	1
3	Base plate	P3376-06-02-01	S235JR	2
4	Base plate	P3376-06-03-01	S235JR	1
5	Base plate	P3376-06-05-01	S235JR	1
6	Base plate	P3376-06-22-01	S235JR	1
7	Rib	P3376-06-04-07	S235JR	2
8	Base plate	P3376-06-23-01	S235JR	1
9	Connection plate	P3376-06-04-09	S235JR	2

SC CONFIND SRL	Adresa : 105600, Câmpina, str. Progresului, nr. 2, jud. Prahova, Romania Tel/Fax : 0244333160 / 0244374719 ; E-mail : confind@confind.ro
----------------	---



S.C. CONFIND S.R.L.
Câmpina

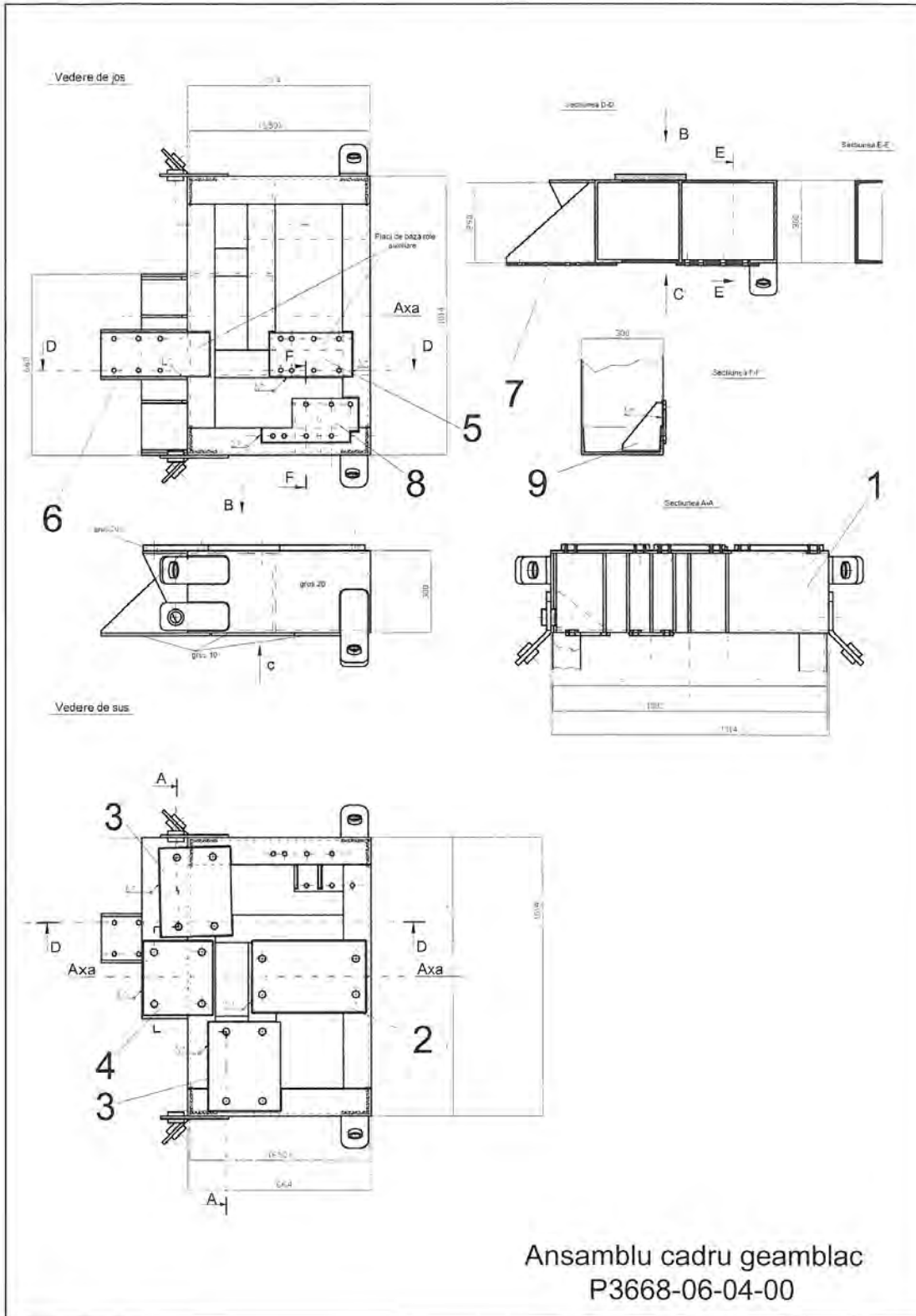
WORKOVER RIG
40 tF WITH MAST
PARTS CATALOG

Code:
P3668-CP.E

Date:
June 2012

Sheet:51

Rev.: 0





S.C. CONFIND S.R.L.
Câmpina

WORKOVER RIG
40 tF WITH MAST
PARTS CATALOG

Code:
P3668-CP.E

Date:
June 2012

Sheet:52

Rev.: 0

7.4. PULLEY ASSY. NO.2: P3376-06-05-00

Item	Denomination	Drawing No. or Standard	Material	Qty.
1	Base plate	P3376-06-05-01	S235JR	1
2	Support	P3376-06-05-02	S235JR	2
3	High crown nut M16	DIN 935	gr.10	8
4	Nordlock or retaining washer Ø16	NL16 /DIN127	-	8
5	Washer Ø16	DIN125	-	8
6	Screw M16x75	DIN933	gr.10.9	8
7	Pulley Ø205/14	P3376-06-05-07	C45E	1
8	Wire and bolt safety clamp	P3376-06-05-08	S235JR	1
9	Screw M8x16	DIN933	gr.8.8	4
10	Retaining washer Ø8	DIN124	-	4
11	Spacer ring	P3376-06-05-11	Bz14T	2
12	Bearing bushing	P3376-06-05-12	Bz14T	1
13	Axle	P3376-06-05-13	42CrMo4	1
14	Grease ball nipple UA3	STAS 1116-67	-	1
15	"U" washer Ø17.5	DIN94	-	8
16	Splint Ø4	DIN94	-	8

SC CONFIND SRL

Adresa : 105600, Câmpina, str. Progresului, nr. 2, jud. Prahova, Romania
Tel/Fax : 0244333160 / 0244374719 ; E-mail : confind@confind.ro



S.C. CONFIND S.R.L.
Câmpina

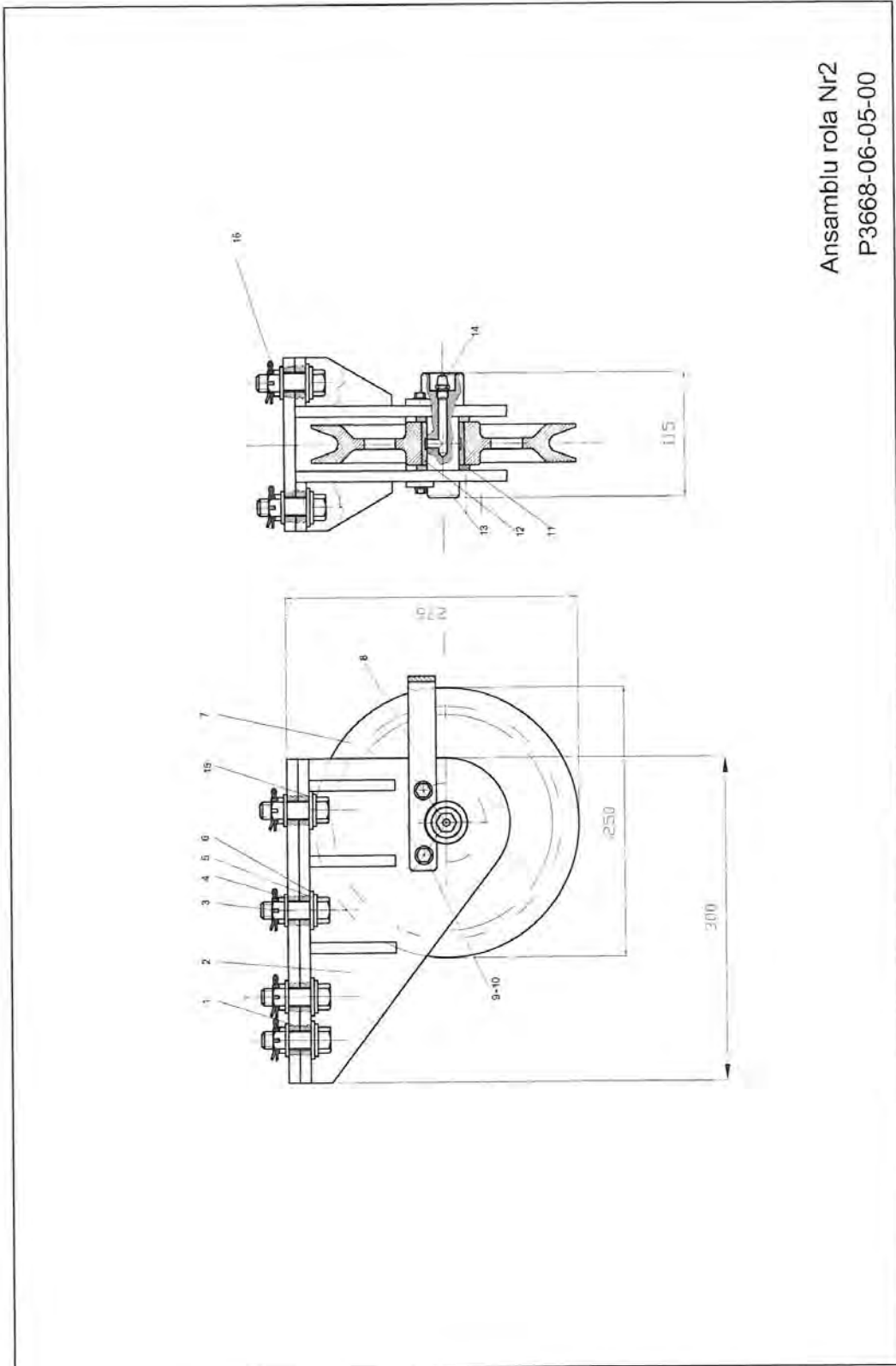
WORKOVER RIG
40 tF WITH MAST
PARTS CATALOG

Code:
P3668-CP.E

Date:
June 2012

Sheet:53

Rev.: 0



Ansamblu rola Nr2
P3668-06-05-00



S.C. CONFIND S.R.L.
Câmpina

WORKOVER RIG
40 tF WITH MAST
PARTS CATALOG

Code:
P3668-CP.E

Date:
June 2012

Sheet:54

Rev.: 0

7.5. PULLEY ASSY. NO. 1: P3376-06-22-00

Item	Denomination	Drawing No. or Standard	Material	Qty.
1	Base plate	P3376-06-22-01	S235JR	1
2	Support	P3376-06-22-02	S235JR	2
3	High crown nut M16	DIN 935	gr.10	6
4	Nordlock or retaining washer Ø16	NL16 /DIN127	-	6
5	Washer Ø16	DIN125	-	6
6	Screw M16x75	DIN933	gr.10.9	6
7	Pulley Ø 250/14	P3376-06-05-07	C45E	1
8	Bolt and wire safety clamp	P3376-06-05-08	S235JR	1
9	Screw M8x16	DIN933	gr.8.8	4
10	Retaining washer Ø8	DIN124	-	4
11	Spacer ring	P3376-06-05-11	Bz14T	2
12	Bearing bushing	P3376-06-05-12	Bz14T	1
13	Axle	P3376-06-05-13	42CrMo4	1
14	Grease ball nipple UA3	STAS 1116-67	-	1
15	"U" washer Ø17.5	DIN94	-	6
16	Splint Ø4	DIN94	-	6

SC CONFIND SRL

Adresa : 105600, Câmpina, str. Progresului, nr. 2, jud. Prahova, Romania
Tel/Fax : 0244333160 / 0244374719 ; E-mail : confind@confind.ro



S.C. CONFIND S.R.L.
Câmpina

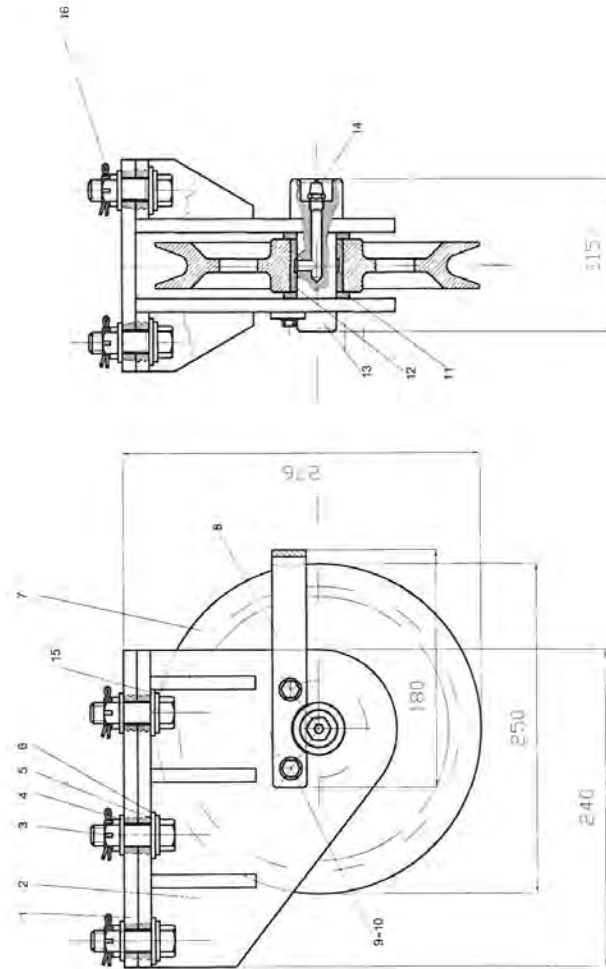
WORKOVER RIG
40 tF WITH MAST
PARTS CATALOG

Code:
P3668-CP.E

Date:
June 2012

Sheet:55

Rev.: 0



Ansamblu rola Nr1
P3668-06-22-00

SC CONFIND SRL

Adresa : 105600, Câmpina, str. Progresului, nr. 2, jud. Prahova, Romania
Tel/Fax : 0244333160 / 0244374719 ; E-mail : confind@confind.ro



S.C. CONFIND S.R.L.
Câmpina

WORKOVER RIG
40 tF WITH MAST
PARTS CATALOG

Code:
P3668-CP.E

Date:
June 2012

Sheet:56

Rev.: 0

7.6. PULLEY ASSY. NO.3: P3376-06-23-00

Item	Denomination	Drawing No. or Standard	Material	Qty.
1	Base plate	P3376-06-23-01	S235JR	1
2	Right side support	P3376-06-23-02.00	-	1
3	High crown nut M16	DIN 935	gr.10	8
4	Nordlock or retainer washer Ø16	NL16 /DIN127	-	8
5	Washer Ø16	DIN125		8
6	Screw M16x75	DIN933	gr.10.9	8
7	Pulley Ø 250/14	P3376-06-05-07	C45E	1
8	Bolt and wire safety clamp	P3376-06-05-08	S235JR	1
9	Screw M8x16	DIN933	gr.8.8	4
10	Retaining washer Ø8	DIN124	-	4
11	Spacer ring	P3376-06-05-11	Bz14T	2
12	Bearing bushing	P3376-06-05-12	Bz14T	1
13	Axle	P3376-06-05-13	42CrMo4	1
14	Grease ball nipple UA3	STAS 1116-67	-	1
15	"U" washer Ø17.5	DIN94	-	8
16	Splint Ø4	DIN94	-	8
17	Left side support		-	1

SC CONFIND SRL

Adresa : 105600, Câmpina, str. Progresului, nr. 2, jud. Prahova, Romania
Tel/Fax : 0244333160 / 0244374719 ; E-mail : confind@confind.ro



S.C. CONFIND S.R.L.
Câmpina

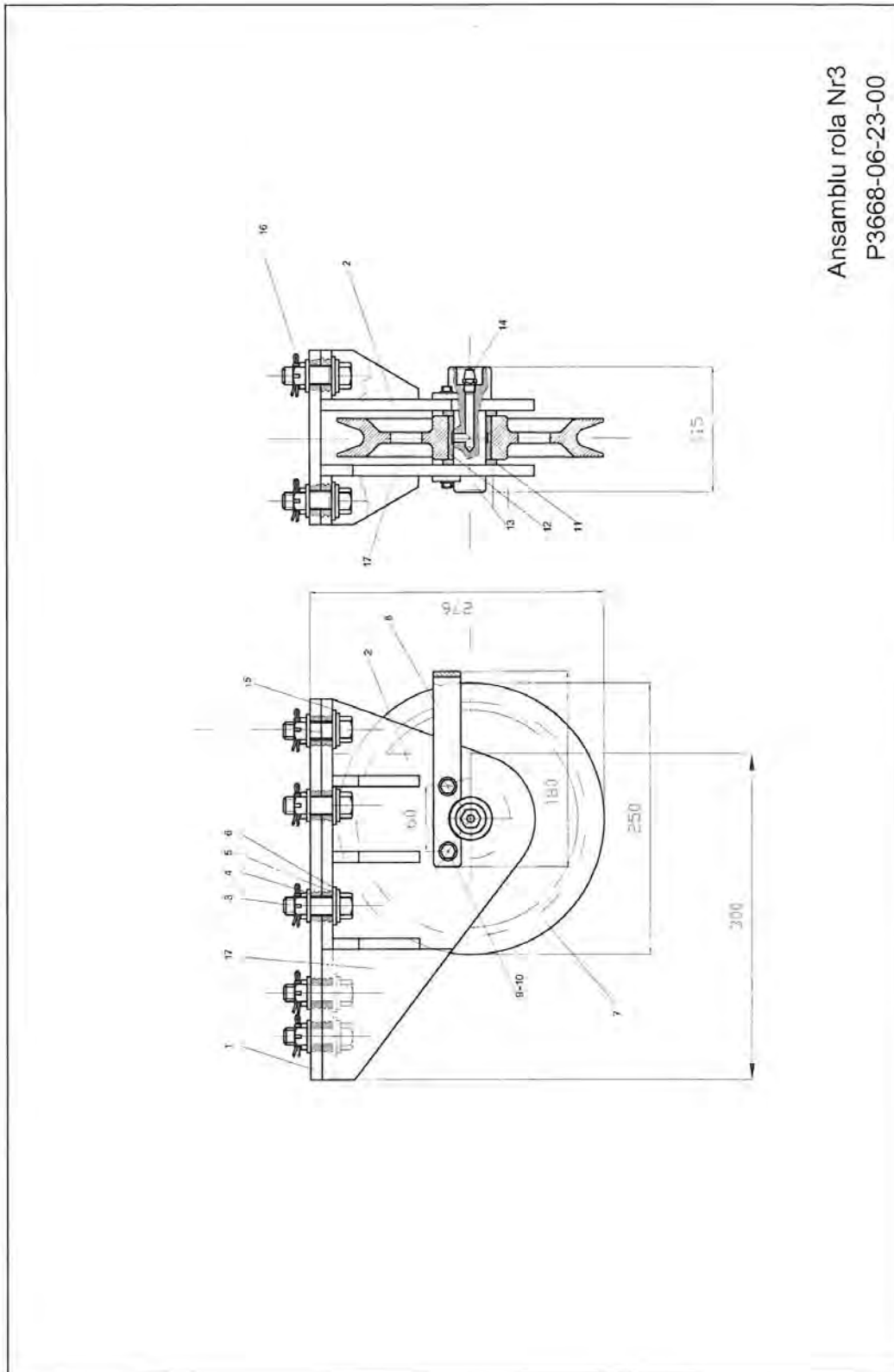
WORKOVER RIG
40 tF WITH MAST
PARTS CATALOG

Code:
P3668-CP.E

Date:
June 2012

Sheet:57

Rev.: 0



SC CONFIND SRL

Adresa : 105600, Câmpina, str. Progresului, nr. 2, jud. Prahova, Romania
Tel/Fax : 0244333160 / 0244374719 ; E-mail : confind@confind.ro



S.C. CONFIND S.R.L.
Câmpina

WORKOVER RIG
40 tF WITH MAST
PARTS CATALOG

Code:
P3668-CP.E

Date:
June 2012

Sheet:58

Rev.: 0

7.7. CENTRALIZED GREASING SYSTEM: P3376-06-11-00

Item	Denomination	Drawing No. or Standard	Material	Qty.
1	Grease ball nipple UA3	STAS 1116	-	4
2	Distributor manifold	P3376-06-11-02	S355J2	1
3	¼" Nipple	GE08LR	-	4
4	Clamp	RAP 3-108	-	8
5				
6	90° Elbow	WE08L1/4 NPT	-	4
7	Stainless steel pipe Ø8x1-4 m	R08x1116-67	-	1
8	Crossover M10 x1/4 NPT	P3376-06-11-08	S355J2	4



S.C. CONFIND S.R.L.
Câmpina

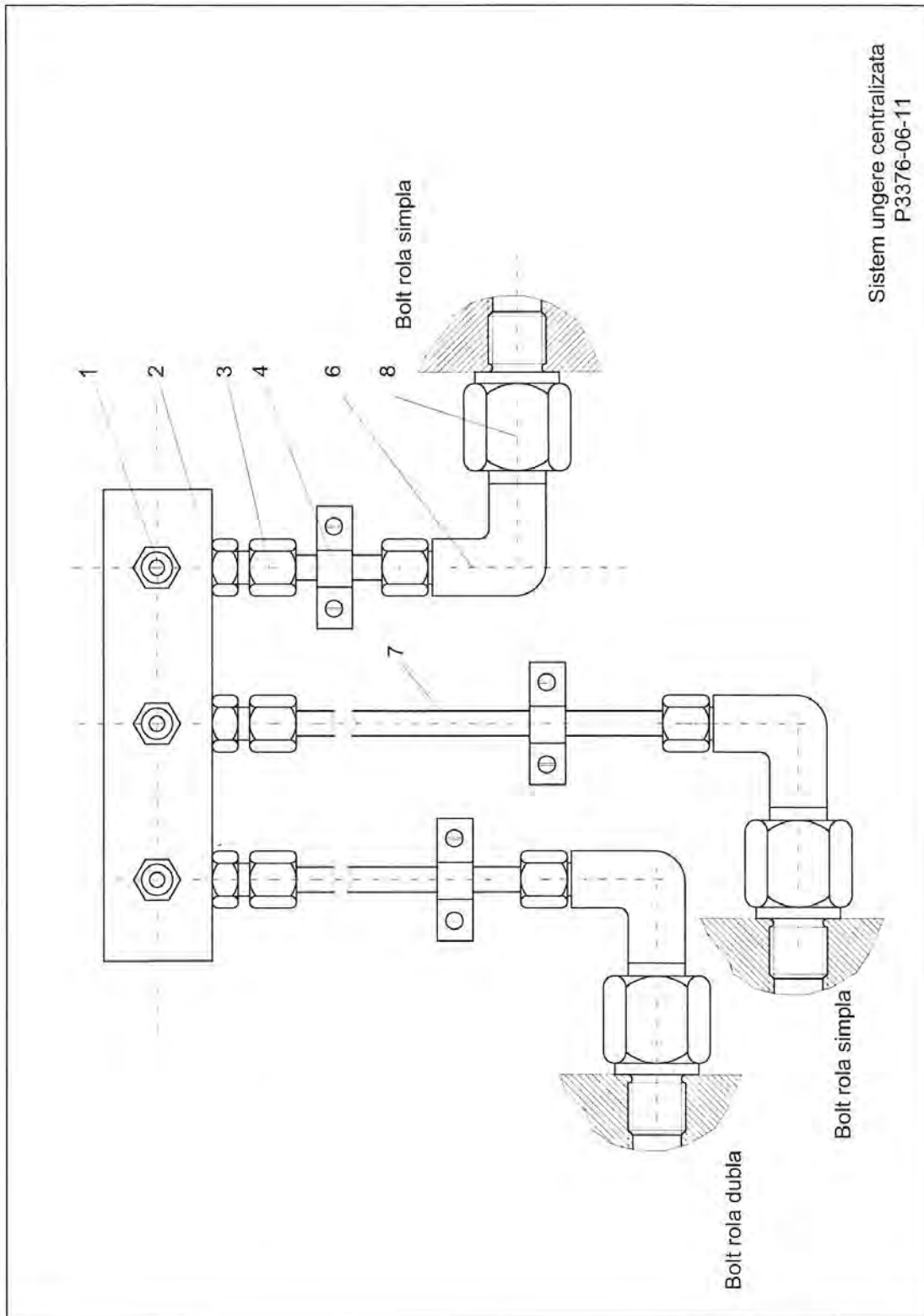
WORKOVER RIG
40 tF WITH MAST
PARTS CATALOG

Code:
P3668-CP.E

Date:
June 2012

Sheet:59

Rev.: 0



SC CONFIND SRL

Adresa : 105600, Câmpina, str. Progresului, nr. 2, jud. Prahova, Romania
Tel/Fax : 0244333160 / 0244374719 ; E-mail : confind@confind.ro



S.C. CONFIND S.R.L.
Câmpina

WORKOVER RIG
40 tF WITH MAST
PARTS CATALOG

Code:
P3668-CP.E

Date:
June 2012

Sheet:60

Rev.: 0

8. Cooling system: P3668-38.00A

Item	Denomination	Drawing No. or Standard	Material	Qty.
1	RABA compensation tank plug	89.06.101.0001- code IABv	-	1
2	Expansion tank	P3668-38.02.00A	-	1
3	1 ¼' – Zn Tee	STAS 476	Fc250 Fc250	1
4	1 ¼" Pipe clamp	SRS 0542	-	4
5	Pipe 1 ¼'x3,5 m – 0,5 m	STAS 404/2	OLT35	1
6	U 1 1¼" Union nut	STAS 482	Fc250 Fc250	2
7	KG 1 ¼ " xØ34 Hose nipple	P3376-38.03	S235JR	2
8	Clamp 40-43	Norma GBS DIN 3017	-	2
9	Rubber hose Ø33xØ42x0.5m	P3668-38.09A	Scrim rubber	1
10				
11	Rubber elbow Ø45xØ56 - Ø38xØ50	P3668-38.11	Scrim rubber	1
12	Drawworks cooling assy.	P3376-38.40.00	-	1
13	Clamp 59-63	Norma GBS DIN 3017	-	2
14	Rubber elbow Ø55xØ63 - Ø64xØ72	P3668-38.14	Scrim rubber	1
15	Clamp 68-73	Norma GBS DIN 3017	-	1
16	Rubber hose Ø47xØ60- Ø50xØ64	P3668-38.16A	Scrim rubber	1
17	Pipe 1 ½" x3,5x 0,1m	STAS 404/2	OLT35	1
18	Pipe 1 ¼ " x3,5	STAS 404/2	OLT35	2
19	Threaded bushing ½"	P3376-11.06.13	S235JR	1
20	Threaded plug ½"	P3376-11.36	S235JR	1
21	Washer Cu ½"	DIN 7603	Cu	1
22	Elbow 1 ¼"x90°	STAS 8805	OLT35	4
23	Pipe 1 ¼ " x3,5 x0,56m	STAS 404/2	OLT35	1
24	Welded crossover 1 ¼" – ¾"	STAS 8810	OLT35	1

SC CONFIND SRL

Adresa : 105600, Câmpina, str. Progresului, nr. 2, jud. Prahova, Romania
Tel/Fax : 0244333160 / 0244374719 ; E-mail : confind@confind.ro



S.C. CONFIND S.R.L.
Câmpina

WORKOVER RIG
40 tF WITH MAST
PARTS CATALOG

Code:
P3668-CP.E

Date:
June 2012

Sheet:61

Rev.: 0

25	U 1 ¼" Union nut	STAS 482	Fc250	1
26	KG ¾ " xØ24 Hose nipple	P3376-38.32	S235JR	2
27	Rubber hose with metallic inserts Ø24x Ø36	P3376-38.32A	-	1
28	Double clamp Ø29 xØ43	P3668-38.28A	-	1
29	Clamp 34-37	Norma GBS DIN 3017	-	2
30	Pipe 1 ¼ " x3,5 x 0,2m	STAS 404/2	OLT35	1
31	Pipe 1 ¼ " x3,5 x 0,15m	STAS 404/2	OLT35	1
32	Rubber hose protector	P3376-38.06	S235JR	1
33	Double joint rotate nipple	Cod 525 931 BIBUS SES SRL Timisoara	-	1
34	Clamp 51-55	Norma GBS DIN 3017	-	2
35	Pipe 1 ¼ " x3,5 x 0,800m	STAS 404/2	OLT35	1
36	Clamp 47-51	Norma GBS DIN 3017	-	2

SC CONFIND SRL

Adresa : 105600, Câmpina, str. Progresului, nr. 2, jud. Prahova, Romania
Tel/Fax : 0244333160 / 0244374719 ; E-mail : confind@confind.ro



S.C. CONFIND S.R.L.
Câmpina

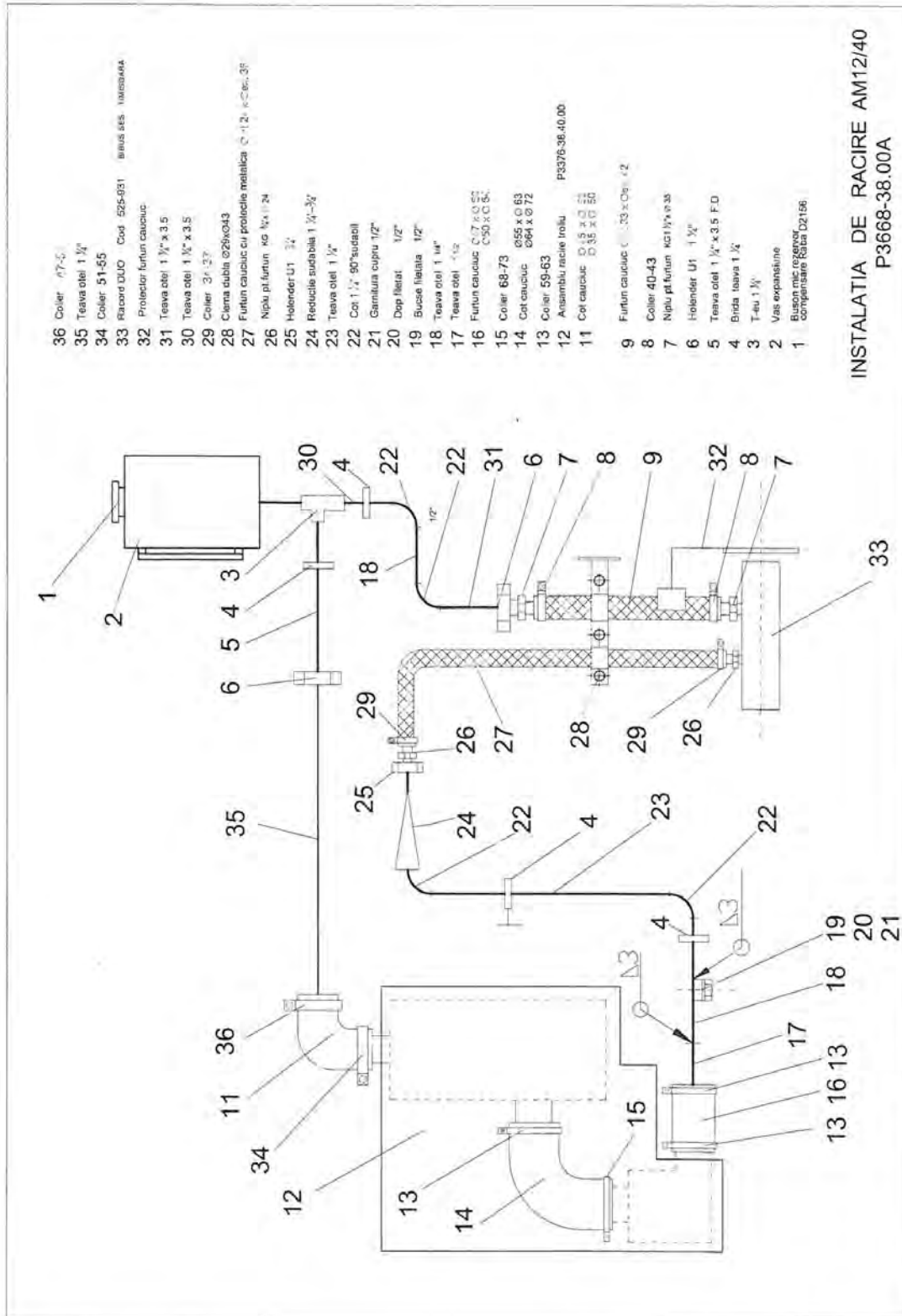
WORKOVER RIG
40 tF WITH MAST
PARTS CATALOG

Code:
P3668-CP.E

Date:
June 2012

Sheet:62

Rev.: 0



 S.C. CONFIND S.R.L. Câmpina	WORKOVER RIG 40 tF WITH MAST PARTS CATALOG	Code: P3668-CP.E	Date: June 2012
		Sheet:63	Rev.: 0

8.1. DRAWWORKS COOLING ASSY.: P3376-38.40.00

Item	Denomination	Drawing No. or Standard	Material	Qty.
1	Joint support	P3376-38.40.01.00	S235JR	1
2	Lower front safeguard	P3376-38.40.02.00	S235JR	1
3	Radiator support (frame)	89.961.20.0156	-	1
4	Front safeguard	P3376-38.40.04.00	-	1
5	Fan driving	P3376-38.40.05.00	-	1
6	Self-threading screw 4,8x16	DIN 7504	gr.8.8	31
7	Retaining washer N5	DIN 125	-	31
8	Metallic cover	P3376-38.40.08.00	S235JR	1
9				
10				
11	Rear safeguard	P3376-38.40.11.00	-	1
12	Metallic clamp 56-63	Norma GBS DIN 3017	-	1
13	Water pump driving	P3376-38.40.13.00	-	1
14	Rear wall	P3376-38.40.14.00	-	1
15	Screw M8x20	DIN 933	gr.8.8	4
16	Nut M8	DIN 934	gr.8	4
17	Retaining washer Ø8	DIN 127	-	4
18	Screw M12x80	DIN 933	gr.8.8	2
19	Nut M12	DIN 934	gr.8	2
20	Retaining washer N12	DIN 127	-	2

SC CONFIND SRL	Adresa : 105600, Câmpina, str. Progresului, nr. 2, jud. Prahova, Romania Tel/Fax : 0244333160 / 0244374719 ; E-mail : confind@confind.ro
----------------	---



S.C. CONFIND S.R.L.
Câmpina

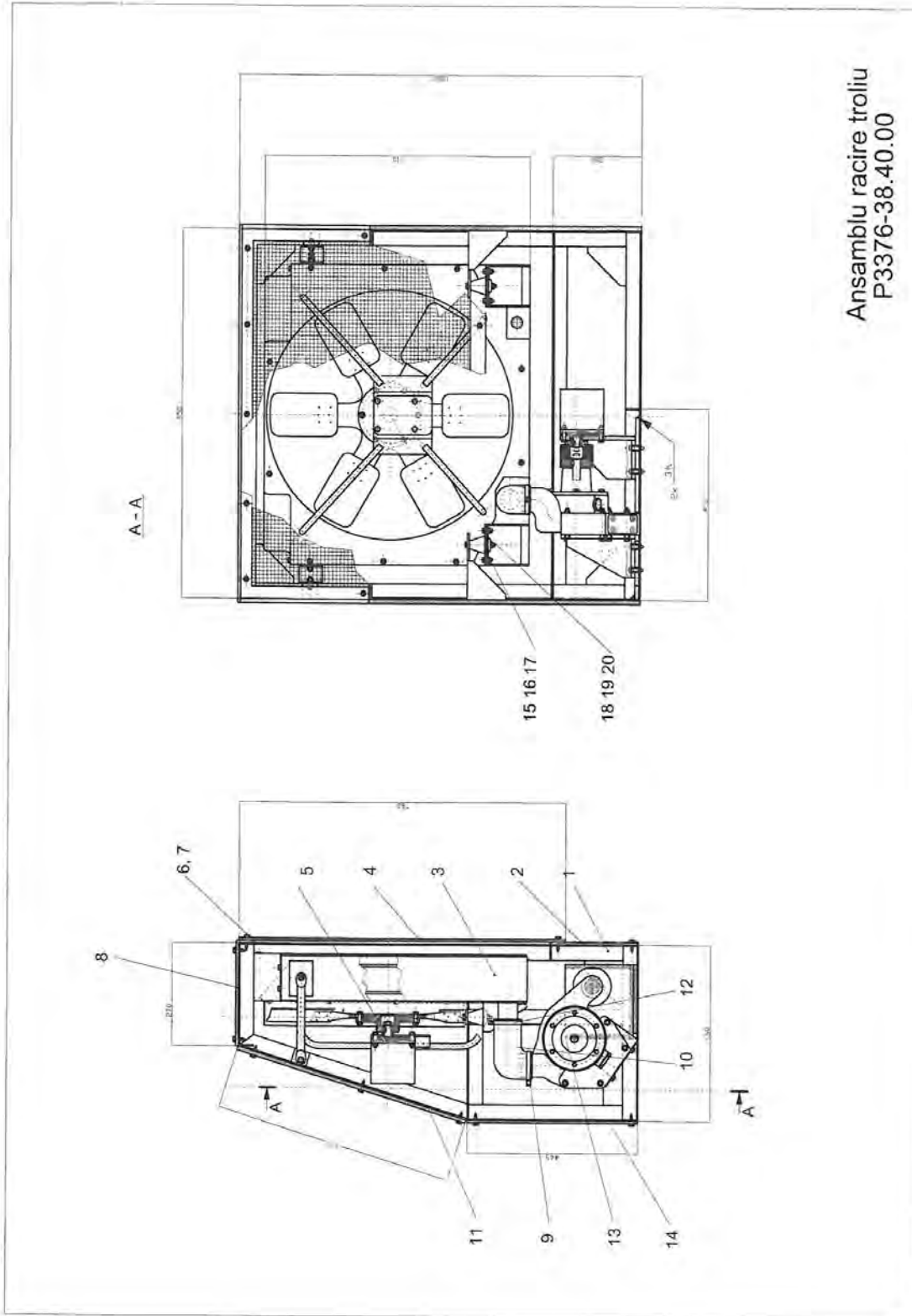
WORKOVER RIG
40 tF WITH MAST
PARTS CATALOG

Code:
P3668-CP.E

Date:
June 2012

Sheet:64

Rev.: 0



 S.C. CONFIND S.R.L. Câmpina	WORKOVER RIG 40 tF WITH MAST PARTS CATALOG	Code: P3668-CP.E	Date: June 2012
		Sheet:65	Rev.: 0

8.2. FAN DRIVE: P3376-38.40.05

Item	Denomination	Drawing No. or Standard	Material	Qty.
1	Water radiator	81.06.101.6066	-	1
2	Radiator frame	-	-	1
3	Nut M6	DIN 934	gr.8	15
4	Retaining washer N6	DIN127	-	15
5	Screw M6x25	DIN933	gr.8.8	15
6	Flat nut Ø6	DIN 125	-	15
7	Hydrostatic motor	OT 200 P2- version G28P2	-	1
8	Screw M10x40	DIN 933	gr.8.8	4
9	Nut M10	DIN 934	gr.8	4
10	Retaining washer Ø10	DIN 127	-	4
11	Flat washer Ø10	DIN 125	-	4
12	Wedge	Included in item 7	-	1
13	Nut M20	Included in item 7	-	1
14	Flat washer Ø20	Included in item 7	-	1
15	Screw M8x25	DIN 933	gr.10.9	6
16	Nut M8	DIN 934	gr.10	6
17	Retaining washer Ø8	DIN 934	-	6
18	Flat washer Ø8	DIN 125	-	6
19	Fan driving flange	P3376-38.40.05.19	S235JR	1
20	Fan	89.06.604.2000	-	1
21	Air diffuser	P3376-38.40.05.21	S235JR	1
22	Rubber cover	P3376-38.40.05.22	PN9A Rubber	1

SC CONFIND SRL	Adresa : 105600, Câmpina, str. Progresului, nr. 2, jud. Prahova, Romania Tel/Fax : 0244333160 / 0244374719 ; E-mail : confind@confind.ro
----------------	---



S.C. CONFIND S.R.L.
Câmpina

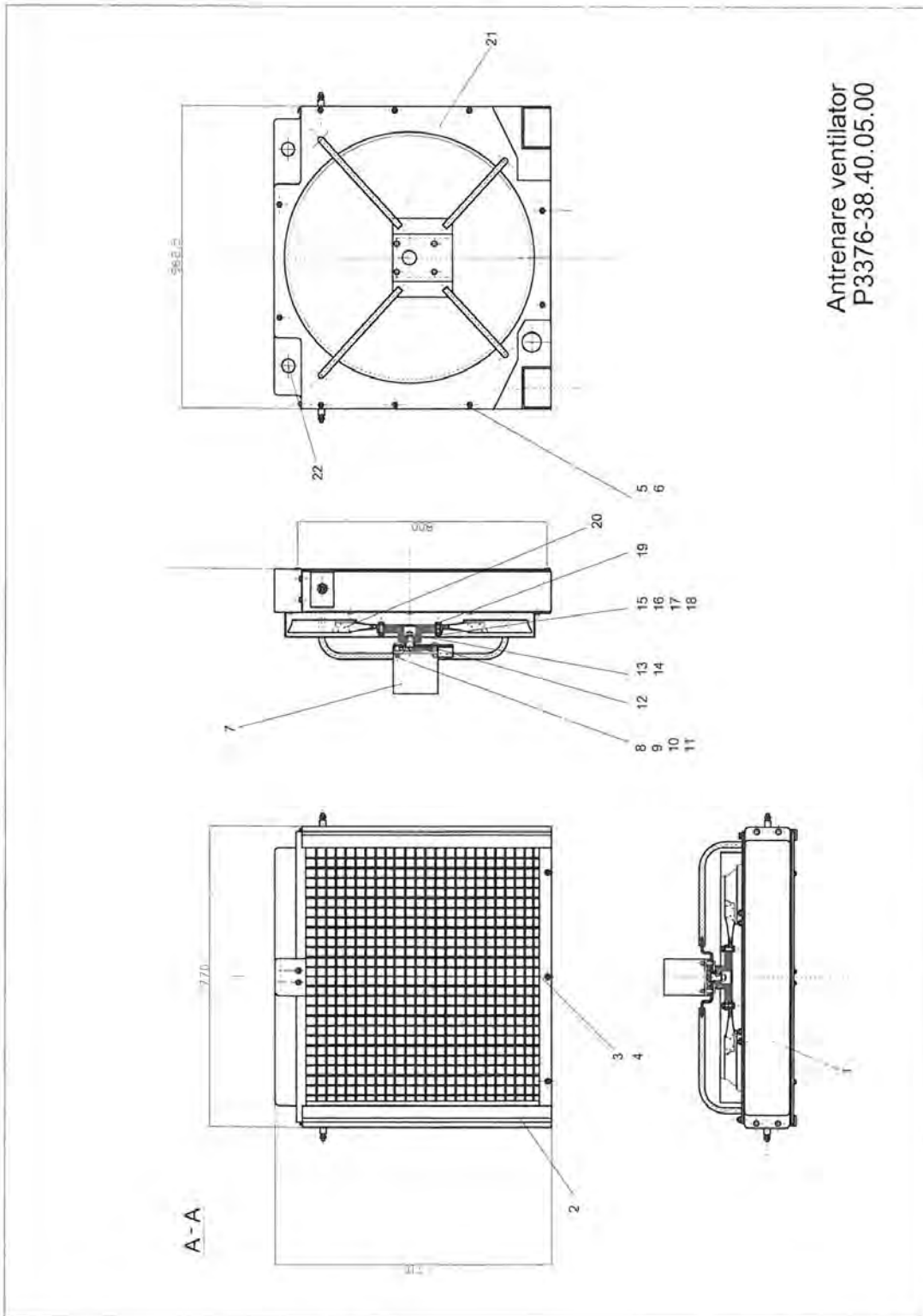
WORKOVER RIG
40 tF WITH MAST
PARTS CATALOG

Code:
P3668-CP.E

Date:
June 2012

Sheet:66

Rev.: 0



 S.C. CONFIND S.R.L. Câmpina	WORKOVER RIG 40 tF WITH MAST PARTS CATALOG	Code: P3668-CP.E	Date: June 2012
		Sheet:67	Rev.: 0

8.3. WATER PUMP DRIVE: P3376-38.40.13.00

Item	Denomination	Drawing No. or Standard	Material	Qty.
1	Water pump support	P3376-38.40.13.01	S235JR	1
2	Screw M10x90	DIN 933	gr.8.8	4
3	Nut M10	DIN 934	gr.8	12
4	Retaining washer Ø10	DIN 127	-	12
5	Screw M10x35	DIN 933	gr.8.8	8
6	Water pump	motor D2156HMN8 Roman Bv	-	1
7	Hydrostatic motor support	P3376-38.40.13.07	S235JR	1
8	Elastic coupling	P3376-38.09.00	-	1
9	Screw M8x30	DIN 933	gr.8.8	4
10	Nut M8	DIN 934	gr.8	4
11	Retaining washer N8	DIN 127	-	4
12	Hydrostatic motor	OT 200 P2- Version G28 P2	-	1
13	Joint support	P3376-38.40.13.14	S235JR	1

SC CONFIND SRL	Adresa : 105600, Câmpina, str. Progresului, nr. 2, jud. Prahova, Romania Tel/Fax : 0244333160 / 0244374719 ; E-mail : confind@confind.ro
----------------	---



S.C. CONFIND S.R.L.
Câmpina

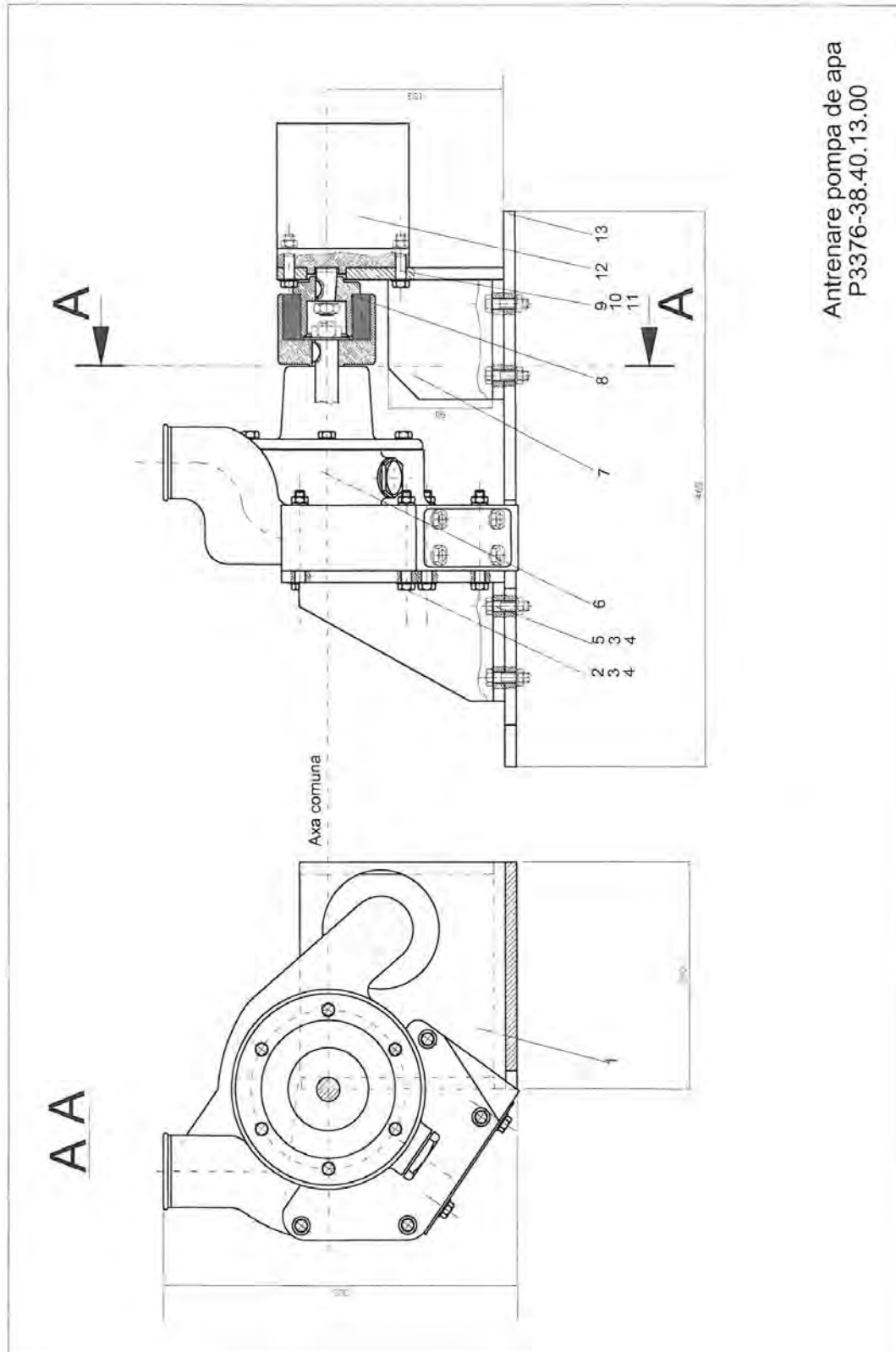
WORKOVER RIG
40 tF WITH MAST
PARTS CATALOG

Code:
P3668-CP.E

Date:
June 2012

Sheet:68

Rev.: 0



SC CONFIND SRL

Adresa : 105600, Câmpina, str. Progresului, nr. 2, jud. Prahova, Romania
Tel/Fax : 0244333160 / 0244374719 ; E-mail : confind@confind.ro



S.C. CONFIND S.R.L.
Câmpina

WORKOVER RIG
40 tF WITH MAST
PARTS CATALOG

Code:
P3668-CP.E

Date:
June 2012

Sheet:69

Rev.: 0

9. Tools container: P3668-28.00

Item	Denomination	Drawing No. or Standard	Material	Qty.
1	Container floor	P3668-28.01.00	-	1
2	Container roof	P3668-28.02.00	-	1
3	External walls	P3668-28.03.00	-	1
4	Container door	P3668-28.04.00	-	1
5	Type I vertical pole	P3668-38.05	S235JR	1
6	Tools box	P3668-28.06.00	-	2
7	Clamp	P3668-28.07	S235JR	10
8	Screw M16x40	DIN 933	gr.10.9	10
9	Nut M16	DIN 934	gr.10	10
10	Retaining washer N16	DIN 127	-	10
11	Electric lamp	PO 01, IP54,ELBA	-	1
12	Type II vertical pole	P3668-28.12	S235JR	1
13	Inner arrangement	P3668-28.13.00		1

SC CONFIND SRL

Adresa : 105600, Câmpina, str. Progresului, nr. 2, jud. Prahova, Romania
Tel/Fax : 0244333160 / 0244374719 ; E-mail : confind@confind.ro



S.C. CONFIND S.R.L.
Câmpina

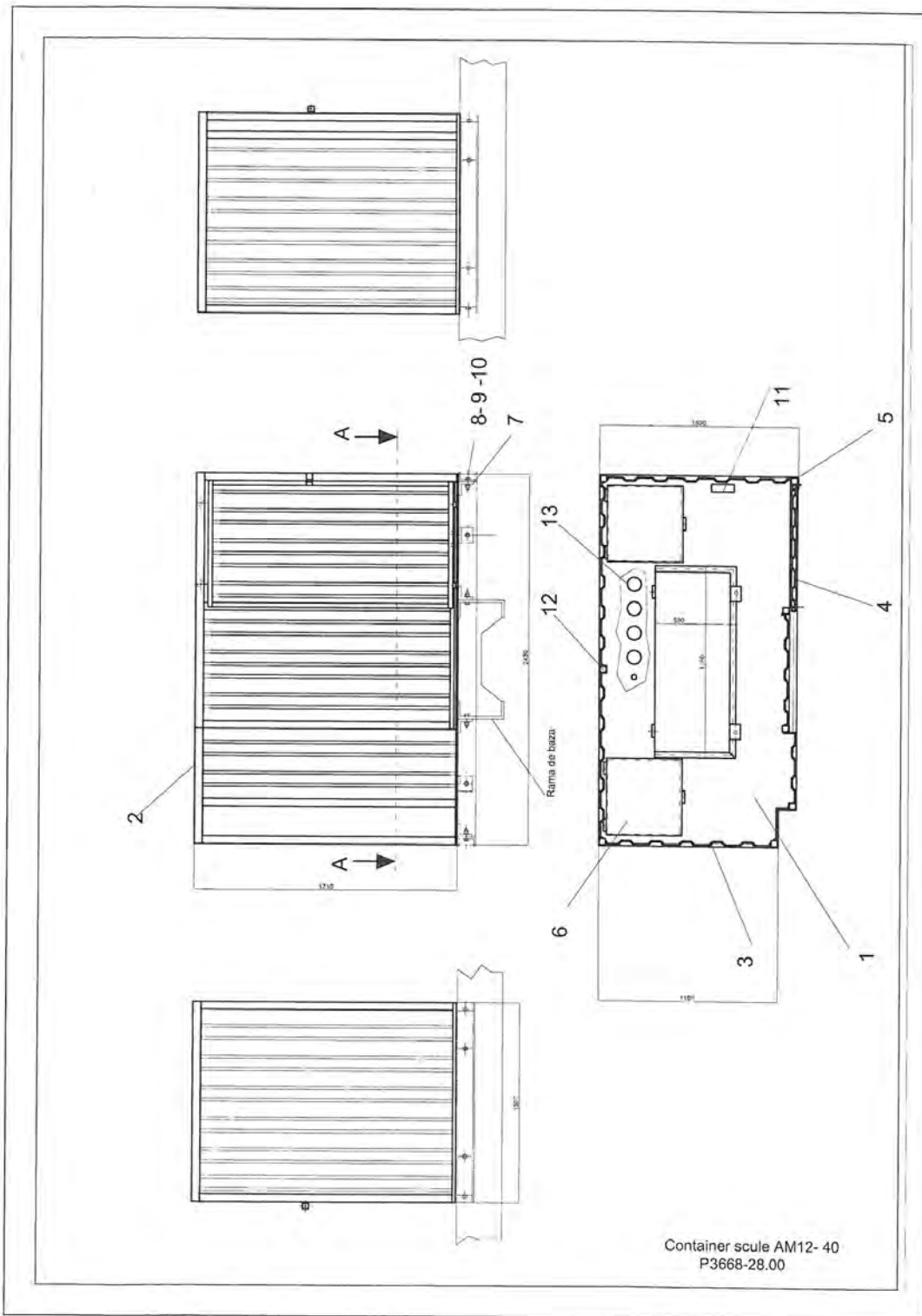
WORKOVER RIG
40 tF WITH MAST
PARTS CATALOG

Code:
P3668-CP.E

Date:
June 2012

Sheet:70

Rev.: 0



SC CONFIND SRL

Adresa : 105600, Câmpina, str. Progresului, nr. 2, jud. Prahova, Romania
Tel/Fax : 0244333160 / 0244374719 ; E-mail : confind@confind.ro



S.C. CONFIND S.R.L.
Câmpina

WORKOVER RIG
40 tF WITH MAST
PARTS CATALOG

Code:
P3668-CP.E

Date:
June 2012

Sheet:71

Rev.: 0

**10. Electronic Equipment for Measurement and Recording the Cable Load,
Fuel Consumption EMIX-100**

NR.	COMPONENTS PARTS	TYPE	Order Cod
1	Industrial computer	LEC 7000	C 100002
2	LCD Panel monitor with touch screen Display	IP10-L600-P1WT	C 100003
3	Software WellAid Daq		C 100004
4	Software WellAid Analysor		C 100005
5	DIN Rail Isolator Intrinsic saftey and galvanic separation barrier	D 1064S	C 100006
6	Isolated Driver Intrinsic saftey and galvanic separation barrier	5105BX2A	C 100007
7	DAQ module	1208FS-T	C 100008
8	Signals conversion and Optogalvanic separation modules	DIG005	C 100009
9	Power supply and low/over tension protection module	DIG008	C 100011
10	Port USB extended	DIG010	E 200004
11	Power swich		E 200005
12	LED indicator green		E 2000036
13	LED indicator red		E 2000034
14	LED indicator yellow		E 2000035
15	Fuel Flow transducer	VZO8OEM	C 100020
16	Keyboard		C 100012
17	USB DAQ cable		E 200007
18	RS232 cable		E 200008
19	VGA cable		E 200009
20	DC connector Computer		E 200011
21	DC Jack display		E 200012
22	Load Indicator 0-60T	8PA	C 100013
23	Cable tension transducer	TAL10T	C 100014
24	Warning Alarm Horn	750 000.55	C 100015
25	Cable load indicator		E 200019
26	Fuse 10 A		E 200021
27	Fuse socket		E 200022
28	Electronic Touch screen module		C 110003
29	Cable USB EXT		E 2000033
30	Memory stick		C 100035

SC CONFIND SRL

Adresa : 105600, Câmpina, str. Progresului, nr. 2, jud. Prahova, Romania
Tel/Fax : 0244333160 / 0244374719 ; E-mail : confind@confind.ro

 S.C. CONFIND S.R.L. Câmpina	WORKOVER RIG 40 tF WITH MAST PARTS CATALOG	Code: P3668-CP.E	Date: June 2012
		Sheet:72	Rev.: 0

31	Housing assembly emix		F 300013
32	Support assembly emix		F 300016

11. Motor parameters indicating panel and manual shifting gear module

COMPONENTS OF MASTER STOP CONTROL PANEL + JUNCTION BOX

Number	Name	Code	Pieces	Notes
1	Type "d"(flameproof) explosion proof housing	EJB 2	1	Import Italy
2	Cable PAAR 8x2x1,5 or JZ500	17039; JZ500	1	Import Germany
3	Cable PAAR 4x2x1,5	174034	1	Import Germany
4	Coupling triangle	169-8670	5	Code Caterpillar
5	End resistance	174-3016	1	Code Caterpillar
6	Coupling for end resistant	212-8259	1	Code Caterpillar
7	Y coupling	133-0970	2	Code Caterpillar
8	Coupling for resistant to end	221-0777	1	Code Caterpillar
9	Coupling torque	160-7689	1	Code Caterpillar
10	Relay KUANKE (d1)	114A4-24VDCI	1	Import Germany
11	Socket relay	E321002	1	Import Germany
12	Timing relay Finder (dt)	80.21.0.240.0000	1	Import Germany

COMPONENTS OF ENGINE READ-OUT PANEL

Number	Name	Code	Pieces	Notes
1	Lamp	242-3282	1	Code Caterpillar
2	Y Cable	212-8255	5	Code Caterpillar
3	Tachometer	275-2103	1	Code Caterpillar
4	Interface	274-8068	1	Code Caterpillar
5	Cover pin 6	155-2263	4	Code Caterpillar
6	Integrated Led signal lamp yellow	XB4 BVB 5	1	Import Germany
7	Coupling triangle	169-8670	2	Code Caterpillar
8	Water temperature gauge	275-2081	1	Code Caterpillar
9	End resistance	174-3016	2	Code Caterpillar
10	Coupling for end resistance	212-8259	1	Code Caterpillar
11	Oil temperature gauge	275-2096	1	Code Caterpillar
12	Interfacing couple	151-2273	2	Code Caterpillar
13	Transmission oil temperature gauge	275-2108	1	Code Caterpillar

SC CONFIND SRL	Adresa : 105600, Câmpina, str. Progresului, nr. 2, jud. Prahova, Romania Tel/Fax : 0244333160 / 0244374719 ; E-mail : confind@confind.ro
----------------	---

 S.C. CONFIND S.R.L. Câmpina	WORKOVER RIG 40 tF WITH MAST PARTS CATALOG	Code: P3668-CP.E	Date: June 2012
		Sheet:73	Rev.: 0

14	Engine parameters read-out panel	PIPM-01	1	Import Italy
15	Cable PAAR 4x2x1,5	174034	1	Import Germany

COMPONENTS OF SPEED SHIFT SELECTOR

Number	Name	Code	Pieces	Notes
1	Key-shifter	320-2981	1	Code Caterpillar
2	Coupling Key-shifter	230-4009	1	Code Caterpillar
3	Cable PAAR 4x2x1,5	174034	1	Import Germania
4	How speed gear selector housing	STV-01	1	Code AMPLO

12. Parts Catalog for CAT C9 ACERT and TH 31 E 61A

To order the spares for CAT C9 ACERT engine and dedicated automatic transmission TH 31 E 61A, take into consideration Operating and maintenance Manual issued by the manufacturer CATERPILLAR C9-TH 31, SEBU 8462.

SC CONFIND SRL	Adresa : 105600, Câmpina, str. Progresului, nr. 2, jud. Prahova, Romania Tel/Fax : 0244333160 / 0244374719 ; E-mail : confind@confind.ro
----------------	---